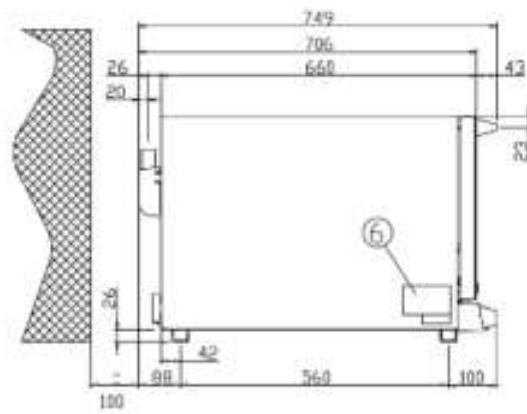
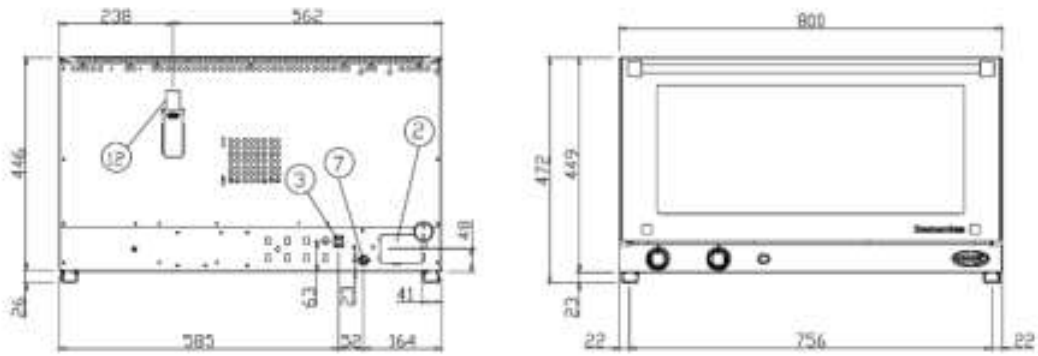


DOMENICA (Manual) XF043

ЭЛЕКТРИЧЕСКИЙ



Вместимость	4 600x400
Расстояние	70 mm
Частота	50 / 60 Hz
Напряжение	230 V- 1N / 400 V- 3N
Мощность	3,2 kW / 5,3 kW
Размеры	800x472x706 mm
Вес	44 kg



	ELECTRIC
■ Standard □ Optional - Not available	
BAKING MODES	
Convection baking 30 °C - 260 °C	■
AIR DISTRIBUTION IN THE BAKING CHAMBER	
AIR.Plus technology: fan with reversing gear on models 600x400 only	■
CLIMA MANAGEMENT IN THE BAKING CHAMBER	
DRY.Plus technology: high performance moisture and humidity extraction	■
PANS	
Flat aluminum pans (only for 460x330 and 342x242 models)	■
AUXILIARY FUNCTIONS	
Protek.SAFE™ technology: maximum thermal efficiency and working safety (cool door glass and external surfaces)	■
Visualisation of the residual baking time	■
Continuous functioning «INF»	■
Visualisation of the set and real temperature values in the oven chamber	-
Temperature unit that can be set in °C or °F	-
DOOR OPENING	
Manual door opening from top to bottom	■
TECHNICAL DETAILS	
Rounded baking chamber made of high resistant ferritic steel for hygiene and ease of cleaning	■
Baking chamber lights	■
Light weight – heavy duty structure using innovative materials	■
Proximity door contact switch	■ (XF043)
Auto-diagnosys system for problems or brake down	-
Safety temperature switch	■