

MOD:XF023



ENGLISH

TECHNICAL DATA

| | |
|--|---|
| 01 POWER | 3 kW |
| 03 FREQUENCY | 50 / 60 Hz |
| 04 POWER SUPPLY CABLE TYPE | H07RN-F |
| 05 EXTERNAL Ø OF POWER SUPPLY CABLE | 10 mm |
| 06 VOLTAGE / POWER CABLE SECTION / CURRENT | 230 V~1PH+N+PE 3G x 1,5 mm ² I1=13 A - I2= A - I3= A - In= A |
| 11 MAX FOOD LOAD | 12 kg |
| 02 NOMINAL HEAT INPUT | 2,9 kW |
| 18 CAVITY DIMENSIONS (W - D - H) | 496x398x315 mm |
| 20 DEGREE OF PROTECTION IP | IPX3 |

ITALIANO

| | |
|---|---|
| 01 POTENZA | 3 kW |
| 03 FREQUENZA | 50 / 60 Hz |
| 04 TIPO DI CAVO ALIMENTAZIONE | H07RN-F |
| 05 Ø ESTERNO CAVO DI ALIMENTAZIONE | 10 mm |
| 06 TENSIONE / SEZIONE CAVI ALIMENTAZIONE / CORRENTE | 230 V~1PH+N+PE 3G x 1,5 mm ² I1=13 A - I2= A - I3= A - In= A |
| 11 CARICA MAX CIBO | 12 kg |
| 02 POTENZA TERMICA NOMINALE | 2,9 kW |
| 18 DIMENSIONI CAMERA COTTURA (L - P - H) | 496x398x315 mm |
| 20 GRADO PROTEZIONE IP | IPX3 |

FRANCAIS

| | |
|--|---|
| 01 PUISSANCE ELECTRIQUE | 3 kW |
| 03 FREQUENCE | 50 / 60 Hz |
| 04 TYPE DE CABLE D'ALIMENTATION | H07RN-F |
| 05 Ø EXTERNE DU CABLE D'ALIMENTATION | 10 mm |
| 06 TENSION / SECTION CABLE D'ALIM. | 230 V~1PH+N+PE 3G x 1,5 mm ² I1=13 A - I2= A - I3= A - In= A |
| 11 CHARGE MAXIMALE D'ALIMENT | 12 kg |
| 02 DEBIT THERMIQUE NOMINAL | 2,9 kW |
| 18 DIMENSIONS CHAMBRE DE CUISSON (L - P - A) | 496x398x315 mm |
| 20 INDICE DE PROTECTION IP | IPX3 |

ESPAÑOL

| | |
|--|---|
| 01 POTENCIA | 3 kW |
| 03 FRECUENCIA | 50 / 60 Hz |
| 04 TIPO DE CABLE DE ALIMENTACION | H07RN-F |
| 05 Ø CABLE EXTERNO DE ALIMENTACION | 10 mm |
| 06 TENSION / SECCION CABLES DE ALIMENTACION | 230 V~1PH+N+PE 3G x 1,5 mm ² I1=13 A - I2= A - I3= A - In= A |
| 11 CARGA MAX. DE ALIMENTOS | 12 kg |
| 02 POTENCIA TERMICA NOMINAL | 2,9 kW |
| 18 DIMENSIONES CÁMARA DE COCCIÓN (A - A - P) | 496x398x315 mm |
| 20 GRADO DE PROTECCION IP | IPX3 |

DEUTSCH

| | |
|---|---|
| 01 ELEKTRISCHE LEISTUNG | 3 kW |
| 03 FREQUENZ | 50 / 60 Hz |
| 04 ZULEITUNGSKABELTYP | H07RN-F |
| 05 AUSSENDURCHMESSER DES VERSORGUNGSKABELS | 10 mm |
| 06 KABELQUERSCHNITT UND VERSORGUNGSSPANNUNG | 230 V~1PH+N+PE 3G x 1,5 mm ² I1=13 A - I2= A - I3= A - In= A |
| 11 MAX. SPEISEFASSUNGSVERMOGEN | 12 kg |
| 02 NOMINALE WARMELEISTUNG | 2,9 kW |
| 18 GRÖÖBE DES KOCHKAMMERS (B - T - H) | 496x398x315 mm |
| 20 SCHTZART IP | IPX3 |

MOD:XF023



ENGLISH - DRAWINGS

| | |
|----|-----------------------------|
| 2 | TERMINAL BOARD POWER SUPPLY |
| 3 | UNIPOTENTIAL TERMINAL |
| 6 | TECHNICAL DATA PLATE |
| 7 | SAFETY THERMOSTAT |
| 12 | HOT FUMES EXHAUST CHIMNEY |

ITALIANO - DISEGNI

| | |
|----|---------------------------|
| 2 | MORSETTIERA ALIMENTAZIONE |
| 3 | MORSETTO EQUIPOTENZIALE |
| 6 | TARGHETTA DATI TECNICI |
| 7 | TERMOSTATO DI SICUREZZA |
| 12 | USCITA FUMI CALDI |

FRANCAIS - ENCOMBREMEN

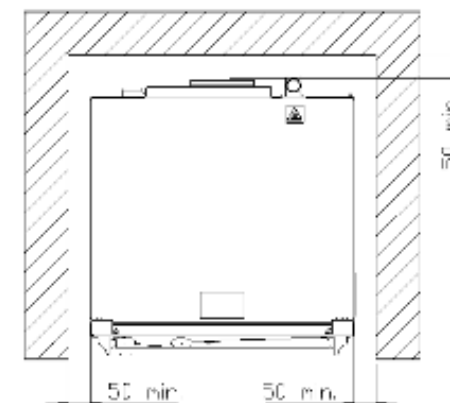
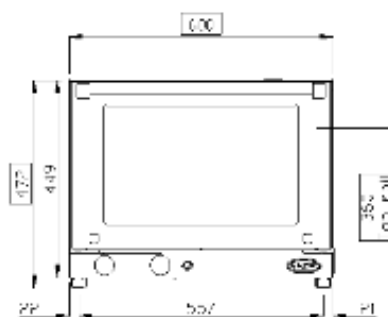
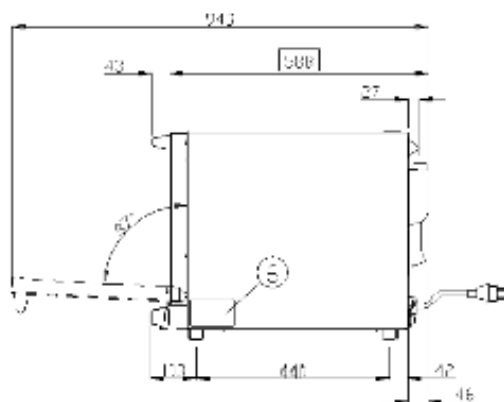
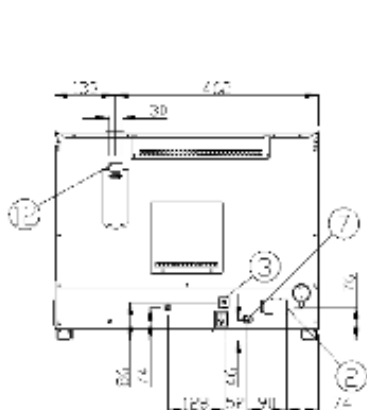
| | |
|----|-------------------------------|
| 2 | BOITE A BORNES D'ALIMENTATION |
| 3 | SUPPORT BORNE EQUIPOTENTIELLE |
| 6 | PLAQUETTE SEGNALETTIQUE |
| 7 | THERMOSTAT DE SECURITE |
| 12 | SORTIE DES FUMEEES CHAUDES |

ESPAÑOL - DISEÑOS

| | |
|----|-------------------------------------|
| 2 | CAJA DE CONEXION |
| 3 | SEDE BORNE EQUIPOTENCIAL |
| 6 | TARJETA DE CARACTERISTICAS TECNICAS |
| 7 | TERMOSTATO DE SEGURIDAD |
| 12 | SALIDA HUMOS CALIENTES |

DEUTSCH - ZEICHNUNGEN

| | |
|----|---------------------------|
| 2 | ZULEITUNGSKLEMMLEISTE |
| 3 | GLEICHPOTENTIELLE KLAMMER |
| 6 | TYPENSCHILD |
| 7 | SICHERHEITSTHERMOSTAT |
| 12 | ABZUGSHAUBE |



MOD:XF023



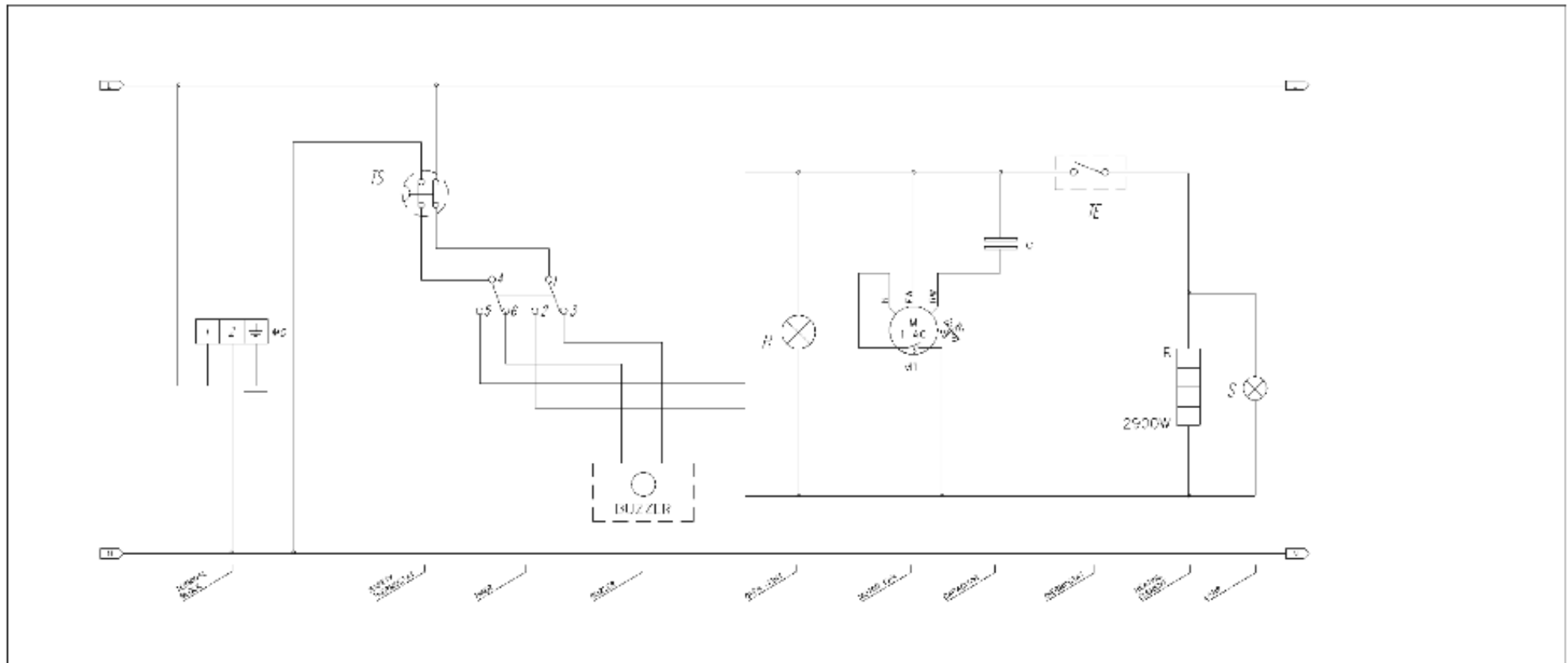
| ENGLISH | WIRING DIAGRAMS |
|---------|--------------------|
| μP | DOOR MICROSWITCH |
| BZ | BUZZER |
| C | ELECTRIC CONDENSER |
| H | OVEN LIGHT |
| IM | REVERSING GEAR |
| K | CONTACTOR |
| M | MOTOR |
| PR | REFIT PUSH BUTTON |
| TE | THERMOSTAT |
| TM | TIMER |
| TS | SAFETY THERMOSTAT |

| ITALIANO | SCHEMI ELETTRICI |
|----------|--------------------------|
| μP | MICRO INTERRUOTORE PORTA |
| BZ | BUZZER |
| C | CONDENSATORE |
| H | LUCE FORNO |
| IM | INVERTITORE DI MARCIA |
| K | TELERUTTORE |
| M | MOTORE |
| PR | PULSANTE RIARMO |
| TE | TERMOSTATO LAVORO |
| TM | TIMER |
| TS | TERMOSTATO SICUREZZA |

| FRANCAIS | SCHEMAS ELECTRIQ |
|----------|-------------------------------------|
| μP | MICRO INTERRUPTEUR DE PORTE |
| BZ | TIMBRE ELECTRONICO |
| C | CONDENSATEUR |
| H | LAMPE DU FOUR |
| IM | INVERSEUR DE MARCHE |
| K | TELERUPTEUR |
| M | MOTEURS DES TURBINES |
| PR | BOUTON POUSSOIR DU REMISE EN MARCHE |
| TE | THERMOSTAT DE TRAVAIL |
| TM | MINUTEUR |
| TS | THERMOSTAT DE SECURITE' |

| ESPAÑOL | ESQUEMAS ELECTRI |
|---------|---------------------------|
| μP | MICRO INTERRUPTOR PUERTA |
| BZ | TEMPORIZADOR |
| C | CONDENSADOR |
| H | LUZ HORNO |
| IM | INVERSOR DE MARCHA |
| K | TELERRUPTOR |
| M | MOTOR |
| PR | PULSADOR DE RE-ACTIVACION |
| TE | TERMOSTATO DE TRABAJO |
| TM | TEMPORIZADOR |
| TS | TERMOSTATO DE SEGURIDAD |

| DEUTSCH | SCHALTPLAN |
|---------|-------------------------|
| μP | TÜRKONTAKTSCHALTER |
| BZ | SUMMER |
| C | KONDENSATOR |
| H | BELEUCHTUNG |
| IM | REVERSIERUNGSSCHALTER |
| K | RELAIS |
| M | MOTOR |
| PR | WIEDERHERSTELLUNGSTASTE |
| TE | THERMOSTAT |
| TM | ZEITSCHALTUHR |
| TS | SICHERHEITS THERMOSTAT |



MOD:XF023



| ENGLISH | WIRING DIAGRAMS |
|---------|-----------------|
| K | CONTACTOR |
| MO | TERMINAL BOARD |
| R | HEATING ELEMENT |
| S | PILOT LIGHT |

| ITALIANO | SCHEMI ELETTRICI |
|----------|------------------|
| K | TELERRUTTORE |
| MO | MORSETTIERA |
| R | RESISTENZA |
| S | LUCE SPIA |

| FRANCAIS | SCHEMAS ELECTRIQ |
|----------|------------------|
| K | TELERRUPTEUR |
| MO | BOITE A BORNES |
| R | RESISTANCE |
| S | LAMPE TEMOIN |

| ESPAÑOL | ESQUEMAS ELECTRI |
|---------|-------------------------|
| K | TELERRUPTOR |
| MO | CAJA CONEXIONES-REGLETA |
| R | RESISTENCIA |
| S | LUZ PILOTO |

| DEUTSCH | SCHALTPLAN |
|---------|--------------|
| K | RELAIS |
| MO | KLEMMLEISTE |
| R | HEIZELEMENT |
| S | KONTROLLICHT |