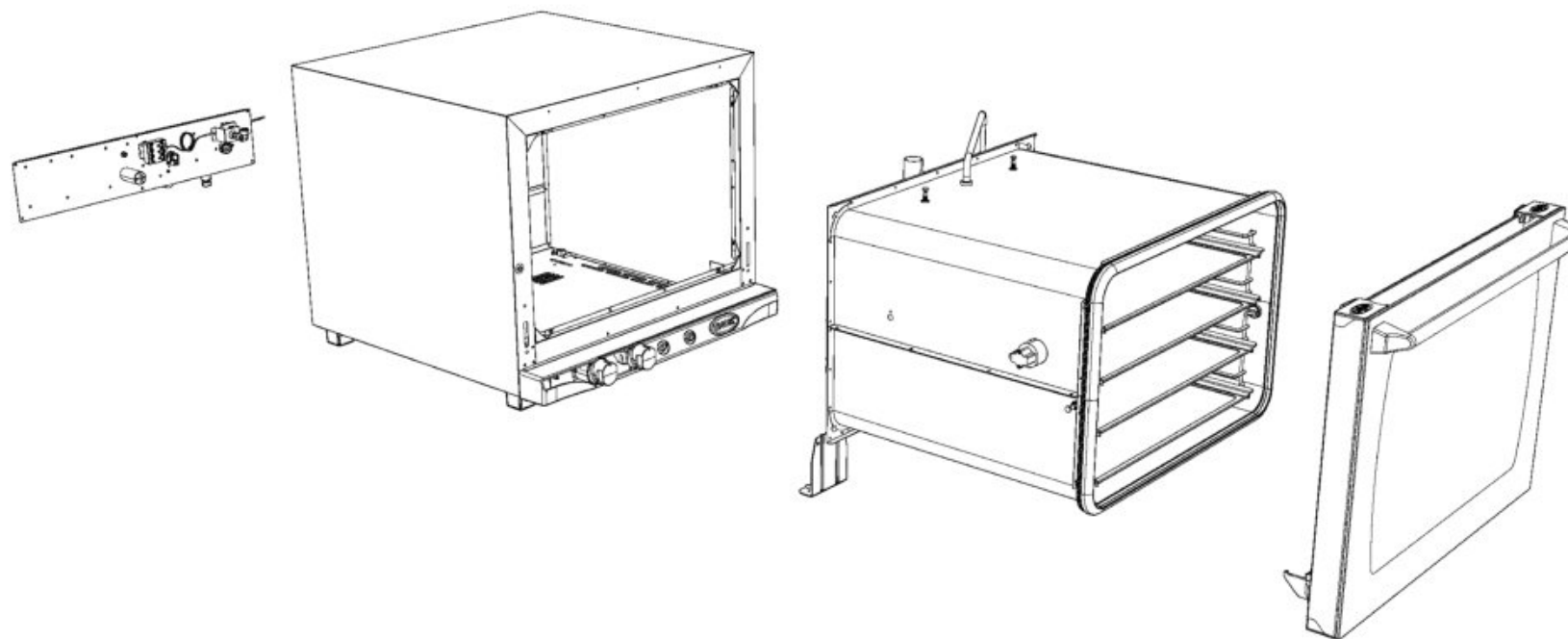
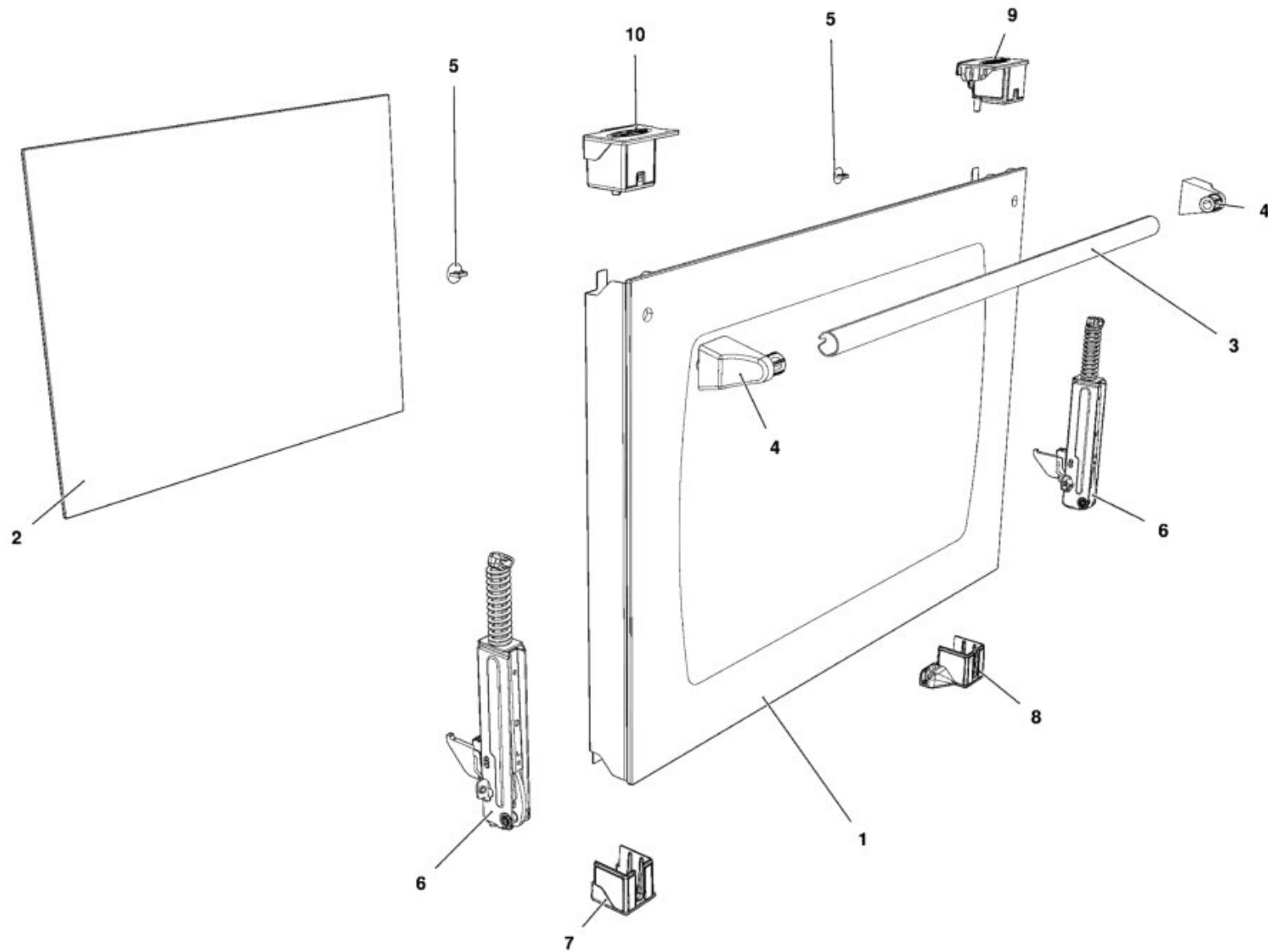


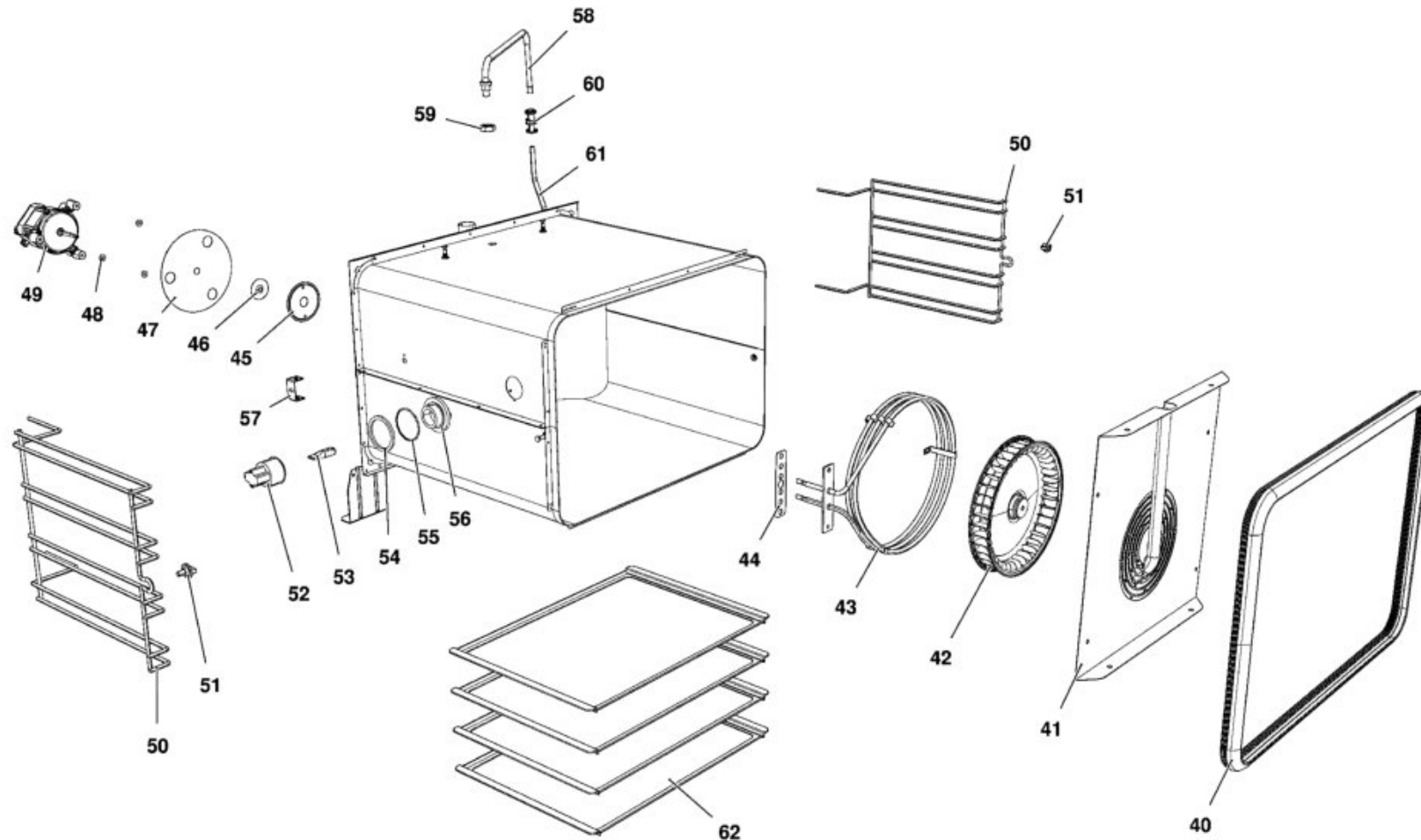
# MOD:XFT133



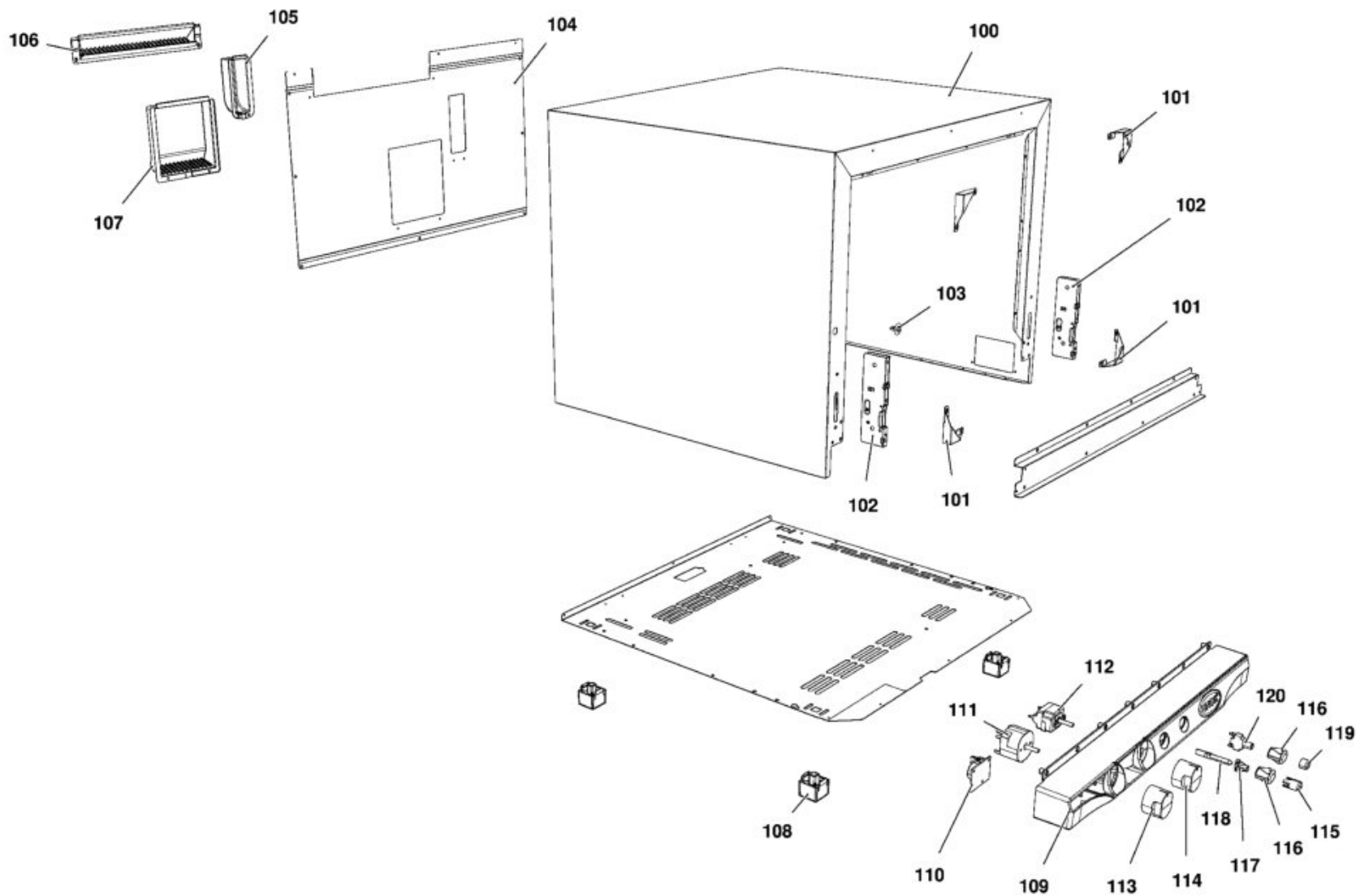
# MOD:XFT133



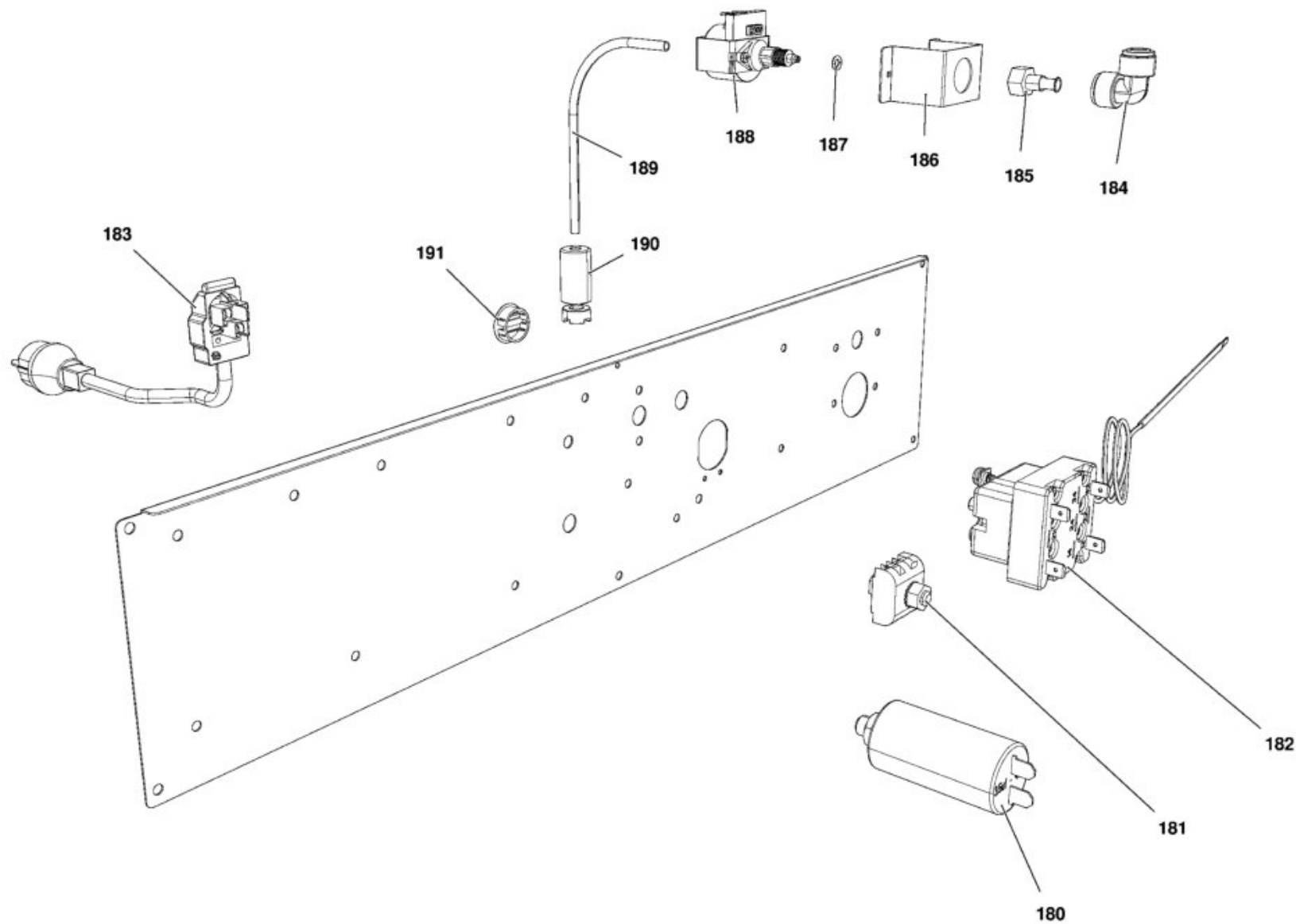
# MOD:XFT133



# MOD:XFT133



# MOD:XFT133



# MOD:XFT133



IT

## Descrizione codici

1	VT1062A	VETRO ESTERNO SER. GRIGIO 598X424X5
2	VT1060A	VETRO INTERNO 515X414X4 BETFL
3	0H1925B	TUBO MANIGLIA L= 518 Ø18x1
4	MG1015B	TERMINALE MANIGLIA L.MISS/L.MICRO/CHEFTO
5	VM1025A	TAPPO NYLON PA66 V2 GRIGIO Ø16
6	CR1015A	CERNIERA PORTA FORNO RIBALTA L.M.
7	VM2065A	TAPPO COLONNINA LM600 INF SX
8	VM2064A	TAPPO COLONNINA LM600 INF DX
9	VM2062A	TAPPO COLONNINA LM600 SUP DX
10	VM2063A	TAPPO COLONNINA LM600 SUP SX
40	GN1352A	GN1110A-GUARNIZIONE PORTA LM ARIANNA
41	OG1112C	CARTER ARIA LM ARIANNA Manual
42	VN1050A	VENTOLA D=196 H=32 38 PALE INOX DADO M6
43	RS1130A	RESISTENZA CIRCOLARE D=230 3 SPIRE
44	GN1327A	GUARNIZIONE RES. 100X22
45	0H3020A	DISCO TENUTA ALBERO MOTORE
46	GN1135A	GUARNIZIONE PORTAMOTORE STAMP.
47	0H3585A	LAMIERA PROTEZIONE MOTORE ZINCATO L.M.
48	GN1270A	RONDELLA PIANA 13X5.5X0.8 CARBOGRAFITE
49	VN1035B	MOTORE SISME 230 VAC LINE MISS
50	GRL1010A	GRIGLIA LATERALE DX/SX CROMATA
51	VM1815A	NOTTOLINO M6 CROMATO FISS. GRIGLIE
52	VE1015A	PORTA LAMPADA SERIE 2 PER LAMPADA
53	VE1005A	LAMPADA HALOPIN 25W
54	GN1065A	GUARNIZIONE PORTALAMPADA DE=53.2
55	GN1055A	OR 46x2 VMQ.70 ROSSO
56	VT1195A	VETRO COPRILAMPADA BOROSILICATO TEMPRATO
57	0H4820A	STAFFA SOSTEGNO BULBO
58	0H1990A	TUBO EST. UMIDITA' + RC1165A0
59	RC1170A	DADO M14 H=8 CH=22 INOX
60	EL1055A	RIDUZIONE INTERMEDIA D10-D8

61	TB2034A	TB1815A-IMPIANTO IDRICO FORNI LMS
62	TG305	TEGLIA 460X330 PIANA ALLUMINIO
100	OD1275C	MANTELLINO LM ARIANNA
101	0H1450A	ANGOLO FACCIATA MUFFOLA INOX XB-XV-XG
102	CR1000A	ATTACCO CERNIERA PORTA FORNO RIBALTA
103	VM1025A	TAPPO NYLON PA66 V2 GRIGIO Ø16
104	OF1085B	SCHIENA LM ARIANNA
105	VM1951A	CUFFIA COPRICAMINO IP
106	VM1950A	GRONDAIA PLASTICA
107	VM1952A	COPRIMOTORE IP
108	PD1001A	PIEDINO 35X35 H26 PLASTICA+GOMMA GRIGIO
109	VM2018A	CRUSCOTTO COMANDI MANUAL LMSS600
110	TM1000C	SUONERIA ELETTRONICA 15 SEC 230V
111	TM1005A	TIMER MI2 60 MIN 250V 16A
112	TR1100A	TERMOSTATO REG. 269°C 55.19052.80
113	MN1090B	MANOPOLA TIMER 0-60 MIN LM
114	MN1091B	MANOPOLA SERIGR. TERMOSTATO 80-260°C
115	VE1530A	GEMMA ELLITTICA AZZURRA TERMOMETRO ORO
116	VE1170A	SUPPORTO D16 ELLITTICO NICHEL OPACO
117	VM1762A	SUPPORTO LAMPADA INTERNO
118	VE1535A	LED BIANCO 230V
119	VM1775A	TASTO ARGENTO OPACO NUVOLETTA ORO
120	VE1562A	PULSANTE UNIPOLARE NA
180	VE1145A	CONDENSATORE 3,5 µF 450 Vac 50/60 Hz
181	VM1750A	MORSETTIERA A PETTINE
182	TR1140A	TERM.SIC.BIP. 350°C RIARMO MANUALE
183	MR1000A	CAVO 3X1,5 H07RN-F MT1,5+K2/3+SCHUKO
184	EL1185A	RACCORDO A GOMITO J.GUEST Ø8 - Ø8
185	RC1180A	RIDUZIONE M10X1 FEMM-Ø8 INOX
186	0H3743A	SUPPORTO POMPA ULKA
187	GN1324A	O-RING GOMMA R4

188	PM1000A	POMPA ULKA NME1C+ATT SUPERIORE 10M
189	TB1856A	TB1816A-TUBO POMPA ULKA
190	VL1010A	AFFONDANTE CON FILTRO
191	VM1968A	TAPPO FORO ELETTROVALVOLA

# MOD:XFT133



## EN

## Codes descriptions

1	VT1062A	GREY EXTERNAL GLASS 598X424X5
2	VT1060A	INNER GLASS 515x414x4 BETFL L.M. ARIANNA
3	OH1925B	ST.STEEL HANDLE TUBE Ext.D=18 Th=1 L=518
4	MG1015B	L.MISS/L.MICRO/CHEFTOP HANDLE TERMINALS
5	VM1025A	NYLON LID PA66 V2 GREY Ø16
6	CR1015A	HINGE L.M. ARIANNA
7	VM2065A	L.Miss 46x33 LEFT LOWER DOOR COLUMN CAP
8	VM2064A	L.Miss 46x33 RIGHT LOWER DOOR COLUMN CAP
9	VM2062A	L.Miss 46x33 RIGHT UPPER DOOR COLUMN CAP
10	VM2063A	L.Miss 46x33 LEFT UPPER DOOR COLUMN CAP
40	GN1352A	L.M. TOUCH ARIANNA DOOR GASKET - GN1110A
41	OG1112C	L.M. TOUCH ARIANNA Manual FAN GUARD
42	VN1050A	STAINLESS STEEL FAN D=196 H=32 38 BLADES
43	RS1130A	CIRC.HEAT.ELEMENT D=230 3 TURNS
44	GN1327A	HEATING ELEMENT GASKET 100X22X0.8
45	OH3020A	MOTOR SHAFT SEALING DISC
46	GN1135A	MOTOR SUPPORT SEALING
47	OH3585A	ZINCATE MOTOR GUARD PLATE L.M.
48	GN1270A	FALT WASHER 13x5.5x0.8
49	VN1035B	LINE MISS 230 VAC MOTOR
50	GRL1010A	RIGHT/LEFT LATERAL GRID CHROM.PLATED
51	VM1815A	M6 LATERAL SUPPORTS FIXING BOLT
52	VE1015A	LAMP HOLDER SERIE 2 FOR HALOGEN LAMP
53	VE1005A	HALOGEN LAMP 33W ENERGY SAVER
54	GN1065A	SEAL FOR LAMP GLASS COVER (PURE
55	GN1055A	OR 46x2 VMQ 70 RED
56	VT1195A	BOROSILICATE LIGHT BULB GLASS COVER
57	OH4820A	BULB HOLDING BRACKET
58	OH1990A	EXTERNAL WATER PIPE + STAINLESS
59	RC1170A	STAINLESS STEEL NUT M14 H=8 CH=22
60	EL1055A	INTERMEDIATE REDUCTION FROM D=10 TO D=8

61	TB2034A	L.MISS WATER SYSTEM - TB1815A
62	TG305	TRAY 460x330 FLAT ALUMINIUM
100	OD1275C	L.MISS ARIANNA EXTERNAL CHASING
101	OH1450A	XB-XV-XG ST. STEEL MUFFLE FRONT CORNER
102	CR1000A	HINGE LATCH L.M.
103	VM1025A	NYLON LID PA66 V2 GREY Ø16
104	OF1085B	L.MISS ARIANNA BACK PANEL
105	VM1951A	IP CHIMNEY COVER
106	VM1950A	PLASTIC DRIP FLAP
107	VM1952A	IP MOTOR COVER
108	PD1001A	FOOT 35X35 H26 GREY PLASTIC+RUBBER
109	VM2018A	L.MISS TOUCH MANUAL 46x33 CONTROL BOARD
110	TM1000C	ELECTRICAL BUZZER 15 SECS 230 V
111	TM1005A	TIMER MI2 60 MIN 250V 16A
112	TR1100A	269°C ADJUSTABLE THERMOSTAT 55.19052.80
113	MN1090B	LINEMISS 0-60 MIN TIMER KNOB
114	MN1091B	80-260°C THERMOSTAT KNOB
115	VE1530A	BLUE LIGHT COVER GOLD THERMOMETER
116	VE1170A	OPAQUE NICKEL ELLIPTICAL SUPPORT D16
117	VM1762A	INNER LAMP SUPPORT
118	VE1535A	WHITE LED 230V
119	VM1775A	OPAQUE SILVER KEY WITH GOLD "CLOUD"
120	VE1562A	UNIPOLAR NA PUSH BUTTON
180	VE1145A	CONDENSER 3.5 µF 450 Vac 50/60 Hz
181	VM1750A	TERMINAL BOARD
182	TR1140A	350°C SAFETY THERMOSTAT MANUAL RESET
183	MR1000A	CABLE 3X1,5 H07RN-F MT1,5+K2/3+SCHUKO
184	EL1185A	ELBOW CONNECTION J. GUEST Ø8 - Ø8
185	RC1180A	ST. STEEL M10x1 FEMALE-Ø8 REDUCTION
186	OH3743A	PUMP EL070 SUPPORT
187	GN1324A	RUBBER O-RING NBR70/75SH R=4

188	PM1000A	PUMP NME1C+ATT SUP PUMP M10 09.02.060/B
189	TB1856A	ULKA PUMP PIPE - TB1816A
190	VL1010A	HOLD DOWN WEIGHT WITH FILTER
191	VM1968A	SOLENOID INLET CAP