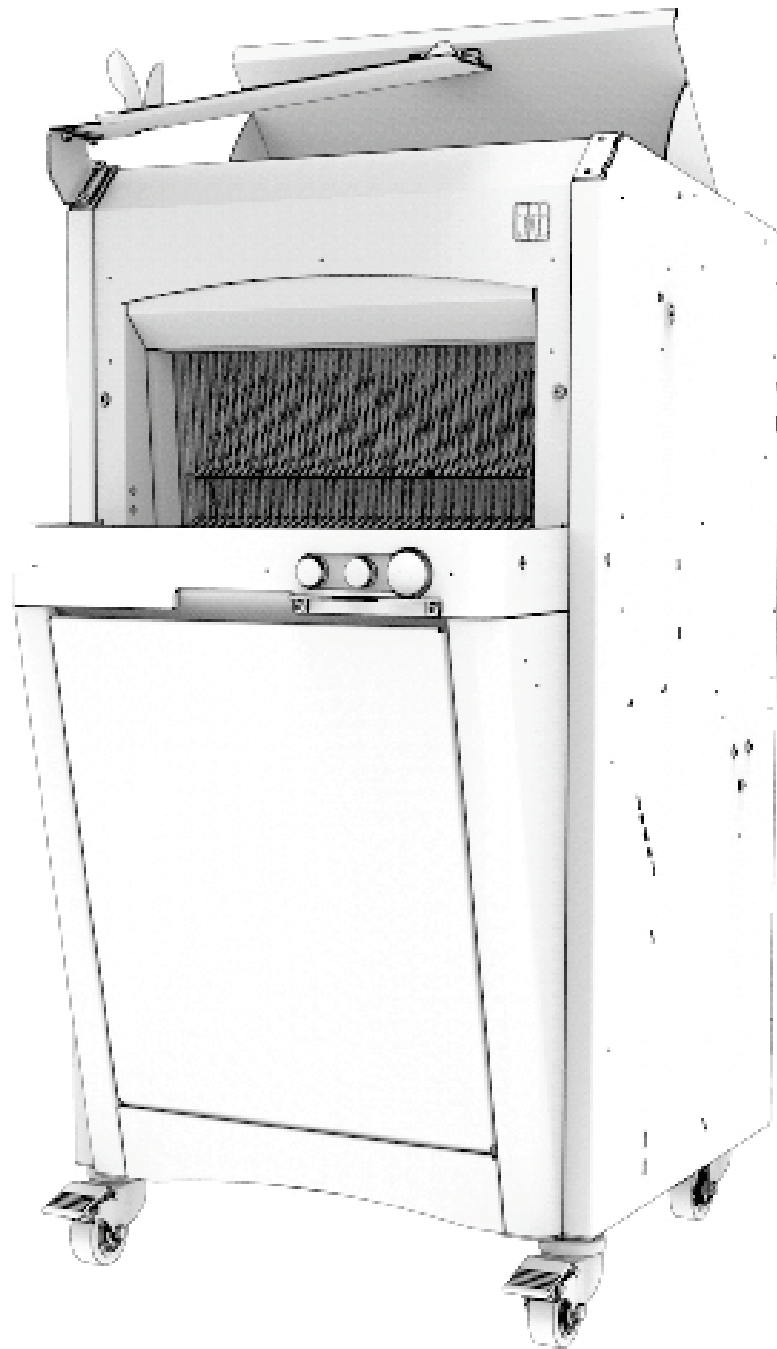




Traditionally Innovative

---

## *ECO+ FACE+*



EN – FR – DE – NL – RU – ES – IT – AR





EN- Translation of original user instructions	
Automatic frame slicer Eco+ Face+.....	5
FR- Notice d'utilisation originale	
Trancheuse automatique à cadres Eco+ Face+ .....	19
DE- Übersetzung der Originalanleitung	
Automatische Gatterschneidemaschinen Eco+Face+.....	33
NL- Vertaling van de originele gebruikershandleiding	
Automatische snijmachine met kaders Eco+ Face+.....	47
RU. Перевод оригинального руководства по эксплуатации	
Автоматическая рамочная хлеборезка Eco+ Face+ .....	61
ES- Traducción del manual de uso original	
Cortadora a cuadros automática Eco+ Face+ .....	75
IT- Traduzione delle informazioni sull'utilizzo originali	
Taglierina automatica a telai Eco+ Face+ .....	88
فرنسي - ترجمة دليل الاستخدام الأصلي	
باطا أوتوماتيكية قطاعة Eco+ Face+.....	101



<b>1</b>	<b>BEFORE COMMISSIONING</b> .....	<b>6</b>
<b>2</b>	<b>WARRANTY</b> .....	<b>6</b>
<b>3</b>	<b>WARNINGS</b> .....	<b>7</b>
<b>4</b>	<b>TECHNICAL SPECIFICATIONS</b> .....	<b>8</b>
4.1	Technical specifications .....	8
4.2	Details of materials in direct contact with the bread .....	9
<b>5</b>	<b>INSTALLATION AND COMMISSIONING</b> .....	<b>9</b>
5.1	Unpacking the machine: .....	9
5.2	Positioning: .....	9
5.3	Electrical connection: .....	10
5.4	Commissioning: .....	10
5.5	Danger: .....	10
<b>6</b>	<b>CONTROLS AND SAFETY FEATURES</b> .....	<b>11</b>
6.1	Controls: .....	11
6.2	Work area: .....	11
6.3	Safety features: .....	11
<b>7</b>	<b>OPERATION</b> .....	<b>11</b>
<b>8</b>	<b>MAINTENANCE</b> .....	<b>12</b>
8.1	Daily, by a trained operator. ....	12
8.2	Every 25,000 loaves and/or at least once a year, by an approved agent. ....	12
8.3	Blade replacement .....	13
<b>9</b>	<b>CONSUMABLES</b> .....	<b>14</b>
9.1	List of CONSUMABLES .....	14
<b>10</b>	<b>MALFUNCTIONS</b> .....	<b>15</b>
<b>11</b>	<b>ERROR CODES</b> .....	<b>16</b>
<b>12</b>	<b>LIST OF COMPONENTS IN ILLUSTRATIONS</b> .....	<b>17</b>

---

## 1 BEFORE COMMISSIONING

---

Thank you for choosing a JAC system. It is essential that you read these instructions before installing and commissioning this machine. This will protect you and avoid damaging your machine.

These instructions refer to various illustrations in order to make them easier to understand. These illustrations are at the end of the instructions. Please refer to them whenever you see the following symbols: (fig.X,n°Y).

**To ensure that your machine gives you full satisfaction over the coming years, we invite you to familiarise yourself with the following advice:**

- Enlist the help of your approved agent for installation, commissioning and service support.
- In order to be covered by the 5-year warranty (see terms and conditions set out below), please have your dealer fill in the service booklet when your machine is being installed. The service booklet is at the back of your machine.

---

## 2 WARRANTY

---



**All JAC products are covered by a 5-year warranty.**

This warranty is valid for all parts on your machine, including electronic components but excluding consumables. The warranty takes effect on the date the equipment is installed.

**Subject to the following restrictive conditions:**

- Equipment acquired from an approved dealer;
- Installation carried out by an approved agent;
- Equipment used in accordance with the instructions for use and for the intended purpose for which it was manufactured;
- Equipment serviced on a daily basis in compliance with the instructions for use;
- Regular servicing by the approved agent in compliance with service specifications, with at least one service a year (servicing chargeable to the user).
- Exclusive use of genuine JAC parts.



**If there is no record of servicing by an approved agent and/or if the service booklet has not been filled in correctly, warranty cover will be limited to one year.**

**This warranty does not cover:**

- Replacement of consumables (§9);
- Parts not accepted as defective by our company;
- Problems due to improper use of the equipment;
- Problems due to installation not carried out by an approved agent;
- Parts or problems due to transit damage or improper handling.

**Repairing and/or replacing defective parts during the warranty period does not bring about an extension of said warranty.**

### 3 WARNINGS

---

It is most important that these user instructions be kept with the machine for any future reference. Should this machine be sold or transferred to another user, please ensure that the user instructions are handed over so that the new user can be familiarised with its operation and the warnings associated with it.



**These warnings are given for your safety and that of others. We would therefore ask you to read them carefully before installing and using the machine.**

This machine has been designed for use by authorised adults. Please therefore ensure that children do not touch it or use it as a toy.

This machine is intended exclusively for professional use.

It is dangerous to modify or attempt to modify the specifications of this machine.

After having installed this machine, please ensure that it is not standing on the power cable.

Follow the instructions given for its use.

This machine must be stored and used in an indoor room, protected from moisture and heat.

This machine must be adequately illuminated to operate it.

The noise level of this machine does not exceed 75 dB(A) in accordance with EN ISO 3744.

This machine must be used by one person at a time (unless otherwise specified).

This machine is intended for slicing baked bread which has cooled down.



**This machine is not intended for the following breads and the following materials:**

- Warm bread, stale bread.
- Frozen or partially thawed bread.
- Wholemeal breads with a hard crust and other types of bread with a hard crust.
- Rye breads.
- Non-edible products such as wood, plastic and similar materials.
- Any food that is not included in the bread and loaf cake category.

**The machine may be damaged when cutting bread or materials for which the machine is not intended.**



**Always disconnect the mains supply before cleaning the machine inside/outside and when carrying out maintenance.**

This machine is heavy. Take all necessary safety precautions when handling it.

## 4 TECHNICAL SPECIFICATIONS

### 4.1 Technical specifications

	ECO+ 450	ECO+ 450 M	ECO+ 600	ECO+ 450 blower	ECO+ 450 M blower	ECO+ 600 blower
Height (mm)	1337		1337	1337		1337
Width (mm)	604		784	1051		1231
Depth (mm)	745		745	829		829
Entry channel length (mm)	310	300	310	310	300	310
Entry channel width (mm)	440		600	440		600
Entry channel height (mm)	160		160	160		160
Packaging (mm)	800 x 860 x 1600					
Net weight (kg)	165		180	175		190
Net weight + packing (kg)	185		200	195		210
Motor power rating (kW)	0.49	1.1	1.1	0.49	1.1	1.1
Motor type	Single-phase or three-phase	Three-phase	Single-phase or three-phase	Single-phase or three-phase	Three-phase	Single-phase or three-phase
220 V - 50 Hz (A)	5	-	5	5	-	5
380 V - 50 Hz (A)	3.2	3.2	3.2	3.2	3.2	3.2
Capacity (loaves/hour)	200<500					
Noise level (dB)	<75					

	FACE+	FACE+ M
Height (mm)	1418	1418
Width (mm)	604	604
Depth (mm)	654	654
Entry channel length (mm)	310	310
Entry channel width (mm)	440	440
Entry channel height (mm)	160	160
Packaging (mm)	800 x 860 x 1600	800 x 860 x 1600
Net weight (kg)	165	165
Net weight + packing (kg)	185	185
Motor power rating (kW)	0.49	0.49
Motor type	Single-phase or three-phase	Three-phase
220 V - 50 Hz (A)	5	-
380 V - 50 Hz (A)	3.2	3.2
Capacity (loaves/hour)	200<500	200<500
Noise level (dB)	<75	<75

Heavy duty motor	optional
Blower-bagger (ECO+450 – ECO+600)	optional
Safety light curtain	optional
4 cm added height	optional
Pressure selector	optional
Double slice thickness (ECO+600)	optional
Daily incremental counter	optional
Special colour	optional
Special blades	optional

#### 4.2 Details of materials in direct contact with the bread.

**Infeed table:** STAINLESS STEEL 430

**Loaf pusher:** STAINLESS STEEL 430

**Loaf holder:** STAINLESS STEEL 430

**Blades:** Steel

**Outfeed table:** STAINLESS STEEL 430

**Bagger:** STAINLESS STEEL 430

---

## 5 **INSTALLATION AND COMMISSIONING**

---

### 5.1 Unpacking the machine:

Machines are delivered from our works on pallets, strapped and protected with cardboard. First of all, the packaging must be examined and any damage caused in transit must be declared directly to the carrier.

- A. Remove the cardboard and the packaging bag from the machine.
- B. Remove straps, taking particular care when they are released by cutting.
- C. Detach the machine from its pallet by removing the wooden battens wedging the castors.
- D. Take the machine off the pallet. Make sure you do this with at least two people in order to lower it as gently as possible onto the floor.
- E. Please fit the adjustable bagger stop to the bagger (fig.15, n°29).

**After unpacking your machine, check that it has not been damaged in transit. Notify us of any defects.**

### 5.2 Positioning:

In order to achieve excellent performance and long-term reliability, choose a location that is:

Well ventilated, shielded from direct sunlight and away from sources of heat, with a sturdy surface free from vibration.

### 5.3 Electrical connection:

**IMPORTANT:** This machine must be earthed.

It is recommended that the system be protected with a fuse and an RCD.

Your mains electricity supply to the machine must be protected as indicated below:

- North America: 15 A protection;
- Rest of the world: 16 A protection.

For machines equipped with a variable speed drive, it is imperative that they be connected to a junction box on a circuit fitted with a 300 mA RCD.

Note: Any problem resulting from any other type of connection will not be covered under warranty.

Before connecting your machine to the mains supply and in order to prevent the motor from burning out when it is switched on, it is important to check that the mains supply matches the machine specification (see machine nameplate).

This machine complies with Machinery Directives 2006/42, 2006/95, 2004/108 and is CE marked as proof of this.

Please familiarise yourself with the safety pictograms displayed on the machine:



This pictogram indicates a cut hazard. You will find it at the front of the machine around the loaf positioning area (fig.13, n°25).

You will find the circuit diagram for the machine on the back of the electrical enclosure door (fig.13, n°26).



This pictogram indicates an electrocution hazard. Please isolate the machine before carrying out any work on it. You will find it at the back of the machine close to the power cable and inside the machine on the electrical enclosure (fig.13, n°27).

### 5.4 Commissioning:

Before commissioning, ensure that there are no extraneous objects interfering with the machine's moving parts.

For machine operation, please refer to the "Operation" chapter.

### 5.5 Danger:

If the user or the machine is in danger, you must use the main isolator switch to cut the power supply to the machine.

Remove the plug from the power socket before any maintenance and/or servicing work.  
Do not touch the blade, even if it is stationary.

To replace the blade, have the work done by your approved dealer.

Always wear cut-resistant gloves when replacing blades or when working in the vicinity of the blade.



Any maintenance work or replacement of parts must be carried out by a qualified individual.

---

## 6 CONTROLS AND SAFETY FEATURES

---

### 6.1 Controls:

Your slicer is fitted with two buttons as standard:  
A start button and an emergency stop button.

It may be fitted with the following additional buttons as an option:

- Pressure selector.
- Auto mode.
- Blower start (on machines equipped with a blower).

### 6.2 Work area:

The work area is at the front of the machine (fig.3, n°18).

### 6.3 Safety features:

This machine is equipped with:

**A mechanical safety switch** (fig. 10, n°23) (EPK – EPF – EPKS – EPFS – EGK – EGF)

Located at the back of the top cover

Which stops the machine when the top cover is opened (fig.1, n°2).

**A mechanical safety switch** (fig. 11, n°24)

Located at the bottom of the machine, under the crumb tray

Which prevents the machine from starting when the front door is opened (fig.1, n°8).

**Photoelectric cells** that prevent the machine from operating when the beam is broken (optional) (EPL – EPM – EPLS – EPMS – EGL – EGM) (fig.8, n°21).

**A safety bar** that stops the machine from operating when pressed (optional) (EPB – EPBS – EPN – EPNS).

---

## 7 OPERATION

---

Braked castors must be locked while the machine is in operation (fig.1, n°13).

**Switch on the power to the machine at the start of the day using the emergency stop (fig.1, n°10).**

### Operating procedure

OPTIONAL: Select type of control using the selector button (fig.4):

1: low speed

2: high speed

ISC: automatic management

OPTIONAL: Press the **AUTO (fig.4)** button for continuous operation.

- A, A'. Place the loaf on the rear table (fig.3, n°16), between the blades and the moving section (fig.5, fig.6).
- B. Close the lid (fig.1, n°2) (fig.5).
- B'. Press the green button (fig.1, n°11) (safety light curtain or safety bar option) (fig.6).
- C, C'. Retrieve the loaf from the front table (fig.5) (fig.6).

OPTIONAL: To operate your blower (fig.7, n°19), press the white button located on the right-hand side (fig.7, n°20).

At the end of the day, press the red **emergency stop** button (**fig.1, n°10**) to switch the power off to the machine.

**Tip:** Have a qualified individual check blade tension after the first few days of operation.

**Capacity:** Number of loaves sliced per day: 6,000 (depending on the type of bread).

Loaf size:

450: (L x W x H) (cm): min.: 12 x 6 x 6 - max.: 44 x 31 x 16

600: (L x W x H) (cm): min.: 12 x 6 x 6 - max.: 58 x 31 x 16

### **Safety:**

Opening the safety cover (fig.1, n°2) prevents the machine from operating.

Passing in front of the photoelectric cells (fig.8, n°21) prevents the machine from operating (machines fitted with this option).

The activation of a safety cut-out is indicated by the green button/indicator light flashing. The number of flashes equates to an error code (§11).

Pressing the safety bar (fig.9, n°22) prevents the machine from operating (EPB – EPBS – EPN – EPNS).

---

## **8 MAINTENANCE**

---

### **8.1 Daily, by a trained operator.**

- A. Check whether you need to empty the crumb tray.
- B. Clean the tables (fig.1, n°5) (fig.3, n°16) using a brush.
- C. Use a dry cloth to clean the inside.
- D. Use a damp cloth to clean the outside.

### **8.2 Every 25,000 loaves and/or at least once a year, by an approved agent.**

- A. Remove the plug from the socket (fig.2, n°15).
- B. Check the condition of the cutting blades (fig.1, n°4).
- C. If you notice a deterioration in cutting quality, the cutting blades must be replaced (JAC part number: 610001, 610011, 610019 in the JAC Spare Parts catalogue).
- D. If the blades need to be replaced, do so in accordance with the blade replacement procedure (fig.12).
- E. NB: Do not overtighten the blades, as this risks distorting the frames.
- F. Sweep and vacuum the inside of the machine.
- G. Check bearing condition, then lubricate them.
- H. Lubricate the actuator joints.



Check that your approved agent has recorded his work in your service booklet in order to maintain your 5-year warranty cover.

### **Additional maintenance for models with lubrication**

**The oil to be used is: 7940019 (as quoted in the JAC “spare parts” catalogue).**

**Or a food-grade liquid vegetable oil with a natural antioxidant.**

**Every 1,000 loaves or every 15 days**, by a trained operator:

Add the dose of food-grade oil (100 to 150 ml) required to impregnate the felt pads on the loaf pusher (operate the carriage advance button to enable access to the oil filler plug).

**Every 25,000 loaves and/or at least once a year**, by an approved agent:

Remove the plug from the socket.

Replace the loaf pusher felt pads.

### **8.3 Blade replacement.**

(fig.12)

Always wear cut-resistant gloves (EN 388:2003 version B= 5) and safety footwear when replacing blades or when working in the vicinity of blades.

Having ensured that the plug on your machine (fig.2, n°15) has been disconnected from the mains:

- A. Remove the bagging paddle.
- B. Unscrew the front table at the sides of the machine.
- C. Remove the front table.
- D. Unscrew the cover.
- E. Open the cover that protects the blade holder frames. On the upper part of the front frame, remove screws **A**, which secure the frame to the polypropylene strips (never remove the strips from the frame, as you risk altering factory settings).
- F. Lay the frame down forwards. Replace the blades on the rear frame (place something to protect yourself on the front frame blades). Remove the locknuts on screws **B** (Misch machines). Remove the locknuts on screws B (EPF – EPFS – EPM – EPN). Remove the blade-tightening Allen screws **B**. Replace the blades, checking that they locate correctly in the swing arm pins. Retighten the blades by tightening screws **B**, using the blades remaining on the frame as a reference. Then tighten the nuts (machine fitted with lubrication option).

**In order not to distort the frame and avoid the risk of dangerous breakages, only replace 1 to 3 blades at a time alternating from left to right.**

Resume the procedure from point 6 for the front frame and refit the front frame and the cover sections.

Connect your machine to the mains supply; it is now ready.

Check that your approved agent has recorded his work in your service booklet in order to maintain your 5-year warranty cover.

---

## 9 CONSUMABLES

---

When ordering spare parts, check with your approved agent which part is required based on the spare parts catalogue issued by the manufacturer.

Always quote the machine serial number shown on the nameplate.

Your agent will place the orders with JAC.

### 9.1 List of CONSUMABLES

ITEM CODE	DESCRIPTION	MODEL
7240032	BELT	ALL
5690012	SLIDE PAD, 140 MM	ALL
5690020	FRAME STRIP	ALL
6110001	JAC KNIFE, 13 MM/0.5 MM	ECO+ 450, ECO+ 450 BLOWER, FACE+ 450
6110011	JAC KNIFE, 13 MM/0.5 MM + TEFLON	ECO+ 450M, ECO+ 450M BLOWER, FACE+ 450M
6110019	JAC KNIFE, 13 MM/0.7 MM	ECO+ 600 ECO+ 600M, ECO+ 600 BLOWER
5310026	LOAF HOLDER SPRING PLASTIC RING	ECO+ 450, ECO+ 450 BLOWER, ECO+ 600, ECO+ 600 BLOWER, FACE+ 450
5310030	LOAF HOLDER SPRING STAINLESS STEEL RING	ECO+ 450M, ECO+ 450M BLOWER, ECO+600M, FACE+ 450M
5315013	GAS SPRING, 40 N	ALL
5690151	LOAF HOLDER PAD	ALL
5630012	RUBBER STOP, Ø 6 MM	ALL
5690102	JAC FLAP	ALL
6120002	LOAF PUSHER FELT PAD	ECO+ 450M, ECO+ 450M BLOWER, FACE+ 450M
4-04846	LOAF PUSHER FELT PAD	ECO+ 600M

## 10 MALFUNCTIONS

Problem	Check
<b>The machine is not running</b>	Connect the machine using the cable (fig.2, n°15).
	Unlock the emergency stop (fig.1, n°10).
	Close the cover.
	Contact your approved agent if the green indicator light is flashing.
	Close the front door.
<b>The machine is running, but the loaves are damaged or cut unevenly</b>	Check whether the blades need replacing (fig.12).
	Leave the bread to cool down for a few hours.
	Feed in a loaf of the specified size.
	Feed in a loaf that is sufficiently firm.
	If the blades are misaligned, adjust the blades and frames.
<b>The bread vibrates between the blades</b>	If the blades are misaligned, adjust the blades and frames.
<b>The bread is cut too slowly</b>	Check whether the blades need replacing (fig.12).
	Choose another pressure setting on your pressure selector (ISC).
	Check that the loaf holder springs are in place correctly (fig.14, n°28).
<b>The bread tears</b>	If the blades are misaligned, adjust the blades and frames.
	Check that the loaf holder springs are in place correctly (fig.14, n°28).
	Check whether the blades need replacing (fig.12).
	Contact your approved agent if the green indicator light is flashing.
<b>The bread emerges very slowly or remains between the blades</b>	Check that the loaf holder springs are in place correctly (fig.14, n°28).
<b>The bread is squashed coming out of the blades</b>	Remove a loaf holder spring and repeat your test (fig.14, n°28).

**WARNING:** The machine must be isolated from the power supply before attempting any work on it.



**Should the problem persist, please contact your technician.**

## 11 ERROR CODES

Flashes or code displayed on screen	Problem description	Action
2	Cut-out SECU1 tripped during cycle.	Please restart the machine using the emergency stop (fig. 1, n°10). Should the problem persist, please contact your technician.
3	Current to upper actuator (M2) in excess of 6 A for 1 second, during advance/cut.	
4	Cut motor thermal cut-out (F3) tripped.	
5	No actuator (M2) movement despite tension set to maximum.	
6	Loaf pusher not in initial position. Limit switch S1 not tripped.	
7	Advance/cut cycle time in excess of 60 seconds.	
8	Return cycle time in excess of 30 seconds.	
9	Rear (S1) and front (S2) limit switches tripped at the same time.	
10	Current to upper actuator (M2) in excess of 5 A for 1 second during carriage return.	
11	Front safety cover (S3) open in the course of a cycle.	



Should the problem persist, please contact your technician.

---

## 12 LIST OF COMPONENTS IN ILLUSTRATIONS

---

Figure	Item	Description
1	1	Top cover magnet
	2	Top cover
	3	Cover
	4	Blades
	5	Front table
	6	Oil counter reset button
	7	Crumb tray
	8	Front door
	9	Bagger
	10	Emergency stop button
	11	Green indicator lamp or illuminated button
	12	Counter
	13	Braked castor
2	14	Rear panel
	15	Power cable
3	16	Rear table
	17	Magnetic lock
	18	Work area
7	19	Bagger-blower
	20	Blower control button
8	21	Safety cell
9	22	Safety bar
10	23	Mechanical safety switch
11	24	Mechanical safety switch
13	25	"Cut hazard" sign
	26	Circuit diagram
	27	"Electrocution hazard" sign
14	28	Detachable loaf holder spring
15	29	Bagger adjustable stop



<b>1</b>	<b>AVANT LA MISE EN SERVICE.....</b>	<b>20</b>
<b>2</b>	<b>GARANTIE.....</b>	<b>20</b>
<b>3</b>	<b>AVERTISSEMENTS .....</b>	<b>21</b>
<b>4</b>	<b>CARACTERISTIQUES TECHNIQUES.....</b>	<b>22</b>
4.1	Caractéristiques techniques.....	22
4.2	Détail des matériaux en contact direct avec le pain.....	23
<b>5</b>	<b>INSTALLATION ET MISE EN SERVICE.....</b>	<b>23</b>
5.1	Déconditionnement de la machine .....	23
5.2	Emplacement .....	23
5.3	Raccordement électrique.....	24
5.4	Mise en service .....	24
5.5	Danger .....	24
<b>6</b>	<b>ORGANE DE COMMANDE ET DE SECURITE .....</b>	<b>25</b>
6.1	Organe de commande.....	25
6.2	Zone de travail .....	25
6.3	Organes de sécurité .....	25
<b>7</b>	<b>UTILISATION.....</b>	<b>25</b>
<b>8</b>	<b>ENTRETIEN .....</b>	<b>26</b>
8.1	Journalier par un utilisateur formé .....	26
8.2	Toutes les 25 000 coupes et/ou 1 fois par an au minimum, par un agent agréé .....	26
8.3	Changement des lames.....	27
<b>9</b>	<b>CONSOMMABLES.....</b>	<b>28</b>
9.1	Liste des CONSOMMABLES.....	28
<b>10</b>	<b>INCIDENTS DE FONCTIONNEMENT .....</b>	<b>29</b>
<b>11</b>	<b>CODES D'ERREUR .....</b>	<b>30</b>
<b>12</b>	<b>Liste des composants sur les figures.....</b>	<b>31</b>

---

## 1 AVANT LA MISE EN SERVICE

---

Merci d'avoir choisi une solution JAC. Veuillez impérativement lire ce mode d'emploi avant d'installer et de mettre en service cette machine. Vous pourrez ainsi vous protéger et éviter de détériorer votre machine.

Cette notice fait référence à différentes figures afin de faciliter la compréhension des instructions. Ces figures se trouvent en fin de notice. Veuillez vous y référer dès que vous rencontrez les symboles suivants (fig.x, n°y).

**Pour que votre machine vous donne entière satisfaction au cours des prochaines années, nous vous invitons à prendre connaissance des conseils suivants :**

- Faites-vous aider par votre agent agréé pour l'installation, la mise en service et le suivi.
- Afin de pouvoir bénéficier de la garantie de 5 ans (voir conditions reprises ci-après), faites compléter le carnet d'entretien par votre distributeur lors de l'installation de votre machine. Ce carnet d'entretien se trouve à l'arrière de votre machine.

---

## 2 GARANTIE

---



**JAC offre une garantie de 5 ans sur tous ses produits.**

Cette garantie est valable sur toutes les pièces de votre machine, pièces électroniques incluses, hors consommables. La garantie prend effet à la date d'installation du matériel.

**Sous les conditions restrictives suivantes :**

- matériel acquis auprès d'un revendeur agréé ;
- installation effectuée par un agent agréé ;
- utilisation du matériel conformément aux indications du mode d'emploi et dans le but pour lequel il a été fabriqué ;
- matériel quotidiennement entretenu conformément aux indications du mode d'emploi ;
- entretiens suivis par l'agent agréé conformément aux spécifications d'entretien avec, au minimum, un entretien par an (entretien à charge de l'utilisateur) ;
- utilisation exclusive des pièces d'origine JAC.



**S'il n'y a pas de suivi d'entretien par un agent agréé et/ou que le carnet d'entretien n'est pas correctement complété, la garantie se limite à un an.**

**Cette garantie ne couvre pas :**

- le remplacement des consommables (§9) ;
- les pièces non reconnues défectueuses par nos services ;
- les problèmes résultant d'une utilisation anormale du matériel ;
- les problèmes résultant d'une installation non effectuée par un agent agréé ;
- les pièces ou les problèmes résultant d'un dégât de transport ou d'une manutention inappropriée.

**Une réparation et/ou un remplacement de pièces défectueuses effectué(es) durant la période de garantie n'a (n'ont) pas pour effet de prolonger ladite garantie.**

### 3 AVERTISSEMENTS

---

Il est très important que cette notice d'utilisation soit conservée avec l'appareil pour toute future consultation. Si cet appareil devait être vendu ou transféré à une autre personne, assurez-vous que la notice d'utilisation soit remise de façon à ce que l'utilisateur puisse être informé de son fonctionnement et des avertissements s'y rapportant.



**Ces avertissements sont donnés pour votre sécurité et pour celle d'autrui. Nous vous prions donc de bien vouloir les lire attentivement avant d'installer et d'utiliser l'appareil.**

Cette machine a été conçue pour être utilisée par des adultes autorisés. Veuillez donc à ce que les enfants n'y touchent pas ou qu'ils ne l'utilisent pas comme un jouet.

Cette machine est exclusivement réservée à un usage professionnel.

Il est dangereux de modifier ou d'essayer de modifier les caractéristiques de cette machine.

Après l'installation de cette machine, assurez-vous qu'elle ne repose pas sur le câble d'alimentation.

Suivez les instructions données pour l'utilisation.

Cette machine doit être stockée et utilisée à l'intérieur, dans un local à l'abri de l'humidité et de la chaleur.

Cette machine doit être suffisamment éclairée pour effectuer le travail.

Cette machine a un niveau sonore inférieur à 75 dB(A), suivant la norme EN ISO 3744.

Cette machine doit être utilisée par une seule personne à la fois (sauf prescription contraire).

Cette machine est destinée au tranchage de pains cuits et tempérés.



**Cette machine n'est pas destinée aux pains et matériaux suivants :**

- pains chauds, pains rassis ;
- pains congelés, ou partiellement décongelés ;
- pains complets avec une croûte dure et d'autres types de pain avec une croûte dure ;
- pains de seigle ;
- produits non comestibles comme le bois, le plastique et matériaux similaires ;
- tout aliment qui ne fait pas partie de la catégorie des pains ou des cakes.

**La machine peut être endommagée lors de la coupe de pains ou matériaux non autorisés.**



**Toujours débrancher la prise de courant avant de procéder au nettoyage intérieur/extérieur de l'appareil et aux opérations de maintenance.**

Cet appareil est lourd. Prenez toutes les précautions de sécurité lors de sa manutention.

## 4 CARACTERISTIQUES TECHNIQUES

### 4.1 Caractéristiques techniques

	ECO+ 450	ECO+ 450 M	ECO+ 600	ECO+ 450 souffleuse	ECO+ 450 M souffleuse	ECO+ 600 souffleuse
Hauteur (mm)	1337		1337	1337		1337
Largeur (mm)	604		784	1051		1231
Profondeur (mm)	745		745	829		829
Longueur du canal d'entrée (mm)	310	300	310	310	300	310
Largeur du canal d'entrée (mm)	440		600	440		600
Hauteur du canal d'entrée (mm)	160		160	160		160
Colisage (mm)	800 x 860 x 1600					
Poids net (kg)	165		180	175		190
Poids NET + emballage (kg)	185		200	195		210
Puissance moteur (kW)	0,49	1,1	1,1	0,49	1,1	1,1
Type moteur	Monophasé ou triphasé	Triphasé	Monophasé ou triphasé	Monophasé ou triphasé	Triphasé	Monophasé ou triphasé
220v - 50Hz (A)	5	-	5	5	-	5
380v - 50Hz (A)	3,2	3,2	3,2	3,2	3,2	3,2
Capacité (pains/heure)	200<500					
Niveau sonore (dB)	<75					

	FACE+	FACE+ M
Hauteur (mm)	1418	1418
Largeur (mm)	604	604
Profondeur (mm)	654	654
Longueur du canal d'entrée (mm)	310	310
Largeur du canal d'entrée (mm)	440	440
Hauteur du canal d'entrée (mm)	160	160
Colisage (mm)	800 x 860 x 1600	800 x 860 x 1600
Poids net (kg)	165	165
Poids NET + emballage (kg)	185	185
Puissance moteur (kW)	0,49	0,49
Type moteur	Monophasé ou triphasé	Triphasé
220v - 50Hz (A)	5	-
380v - 50Hz (A)	3,2	3,2
Capacité (pains/heure)	200<500	200<500
Niveau sonore (dB)	<75	<75

Moteur renforcé	option
Souffleuse ensacheuse (ECO+450 – ECO+600)	option
Barrière optique	option
Surélévation de 4 cm	option
Sélecteur de pression	option
Double tranche (ECO+600)	option
Compteur journalier	option
Couleur spéciale	option
Couteaux spéciaux	option

#### 4.2 Détail des matériaux en contact direct avec le pain

**Table d'entrée :** INOX 430

**Pousse-pains :** INOX 430

**Presse-pains :** INOX 430

**Lames :** Acier

**Table de sortie :** INOX 430

**Ensachoir :** INOX 430

---

## 5 **INSTALLATION ET MISE EN SERVICE**

---

### 5.1 Déconditionnement de la machine

Les machines sont livrées, sorties de nos ateliers, sur palettes, sanglées et protégées par du carton. Avant toute chose, l'emballage doit être observé et tout dommage dû au transport doit être déclaré directement au livreur.

- A. Retirer le carton ainsi que le sachet d'emballage de la machine.
- B. Enlever les sangles en faisant particulièrement attention à la détente de ces dernières lors de leur sectionnement.
- C. Désolidariser la machine de sa palette en enlevant les lattes de bois qui bloquent les roulettes.
- D. Descendre la machine de la palette. Veiller à faire cette manipulation à au moins deux personnes afin d'amortir au mieux le contact avec le sol.
- E. Mettre en place la butée réglable d'ensachoir sur l'ensachoir (fig.15, n°29).

**Après déballage de la machine, vérifier qu'elle n'a pas subi de dommages pendant le transport. Nous signaler toute anomalie.**

### 5.2 Emplacement

Pour obtenir d'excellentes performances et une fiabilité à long terme, choisir un emplacement :

Bien ventilé, à l'abri du rayonnement solaire direct et éloigné des sources de chaleur, avec une surface robuste exempte de vibrations.

### 5.3 Raccordement électrique

**IMPORTANT** : Mise à la terre obligatoire.

Il est conseillé de protéger l'installation avec un fusible et un disjoncteur différentiel.

Votre installation électrique alimentant la machine doit être protégée comme indiqué ci-dessous :

- Amérique du Nord : Protection 15A ;

- Reste du monde : Protection 16A.

Pour les machines équipées d'un variateur, celles-ci doivent être impérativement raccordées à une boîte de dérivation sur une ligne équipée d'un différentiel de 300mA.

Note : Tout problème résultant d'un autre type de raccordement ne sera pas pris en compte par la garantie.

Avant de connecter la machine au réseau et afin d'éviter une mise hors service du moteur à la mise sous tension, il est important de vérifier la concordance du réseau d'alimentation avec les caractéristiques de la machine (voir plaque signalétique de celle-ci).

Cet appareil est conforme aux Directives Machines 2006/42, 2006/95, 2004/108 et porte le marquage CE attestant cette conformité.

Veuillez prendre connaissance des pictogrammes de sécurité figurant sur la machine :



Pictogramme signalant un risque de coupure. Vous le retrouverez à l'avant de la machine autour de la zone de dépose du pain (fig.13, n°25).

Vous trouverez le schéma électrique de la machine sur le verso de la porte du coffret électrique (fig.13, n°26).



Pictogramme signalant un risque d'électrocution. Veuillez débrancher la machine avant toute intervention sur celle-ci. Vous retrouverez ce pictogramme à l'arrière de la machine à proximité du câble d'alimentation et à l'intérieur de la machine sur le coffret électrique (fig.13, n°27).

### 5.4 Mise en service

Avant la mise en service, s'assurer de l'absence de tout objet parasite sur les parties en mouvement de la machine.

Pour l'utilisation de la machine, se reporter au chapitre « Utilisation ».

### 5.5 Danger

En cas de danger pour l'utilisateur ou pour la machine, utiliser l'interrupteur général pour couper l'alimentation de la machine.

Retirer la fiche de la prise électrique avant toute opération de maintenance et d'entretien.  
Ne pas toucher la lame, même à l'arrêt.

Pour le changement de lame, faire faire l'opération par votre distributeur agréé.

Veiller à toujours porter des gants de protection anti-coupure lors du remplacement des lames ou lors d'une opération au voisinage des lames.

Toute opération de maintenance ou de remplacement de pièce doit être effectuée par une personne qualifiée.

---

## **6 ORGANE DE COMMANDE ET DE SECURITE**

---

### **6.1 Organe de commande**

Votre trancheuse est équipée de série de deux boutons :  
un bouton de mise en marche et un bouton d'arrêt d'urgence.

Elle peut être équipée en option des boutons supplémentaires suivants :

- sélecteur de pression ;
- mode auto ;
- démarrage souffleuse (sur machine équipée d'une souffleuse).

### **6.2 Zone de travail**

La zone de travail se situe devant la machine (fig.3, n°18).

### **6.3 Organes de sécurité**

Cette machine est équipée :

**D'un interrupteur de sécurité mécanique** (fig.10, n°23) (EPK – EPF – EPKS – EPFS – EGK – EGF)

Se trouvant à l'arrière du capot supérieur

Qui arrête la machine lorsqu'on ouvre le capot supérieur (fig.1, n°2).

**D'un interrupteur de sécurité mécanique** (fig.11, n°24)

Se trouvant dans le bas de la machine en dessous du bac à mies

Qui empêche la machine de démarrer lorsqu'on ouvre la porte avant (fig.1, n°8).

**De cellules photoélectriques** qui empêchent le fonctionnement de la machine lorsque le faisceau est coupé (option) (EPL – EPM – EPLS – EPMS – EGL – EGM) (fig.8, n°21).

**D'une barre de sécurité** qui empêche le fonctionnement de la machine lorsqu'on appuie dessus (option) (EPB – EPBS – EPN – EPNS).

---

## **7 UTILISATION**

---

Les roulettes pourvues d'un frein doivent être bloquées pour l'utilisation (fig.1, n°13).

**En début de journée, mettre la machine sous tension à l'aide de l'arrêt d'urgence (fig.1, n°10).**

### **Procédure d'utilisation**

OPTION : Choisir le type de régulation à l'aide du bouton sélecteur (fig.4) :

- 1 : vitesse lente
- 2 : vitesse rapide
- ISC : gestion automatique

OPTION : Afin de travailler en continu, appuyer sur le bouton **AUTO (fig.4)** :

- A, A'. Placer le pain sur la table arrière (fig.3, n°16), entre les lames et la partie mobile (fig.5, fig.6).
- B. Fermer le couvercle (fig.1, n°2) (fig.5).
- B'. Presser le bouton vert (fig.1, n°11) (option barrière optique ou barre de sécurité) (fig.6).
- C, C'. Récupérer le pain sur la table avant (fig.5) (fig.6).

OPTION : Pour commander la souffleuse (fig.7, n°19), appuyer sur le bouton blanc situé sur le côté droit (fig.7, n°20).

En fin de journée, appuyer sur le bouton rouge **d'arrêt d'urgence (fig.1, n°10)** pour mettre la machine hors tension.

**Conseil** : Après les premiers jours de travail, faire contrôler la tension des lames par une personne qualifiée.

**Capacité** : Nombre de pains coupés par jour : 6000 (en fonction du type de pain).

Dimensions du pain :

450 : (L x l x h) (cm) : min. 12 x 6 x 6 - max. 44 x 31 x 16

600 : (L x l x h) (cm) : min. 12 x 6 x 6 - max. 58 x 31 x 16

#### **Sécurité :**

L'ouverture du capot de sécurité (fig.1, n°2) empêche le fonctionnement de la machine.

Passer devant les cellules photoélectriques (fig.8, n°21) empêche le fonctionnement de la machine (machine équipée de cette option).

L'activation d'une sécurité est signalée par le clignotement du bouton/voyant vert. Le nombre de clignotements correspond à un code erreur (§11).

L'appui sur la barre de sécurité (fig.9, n°22) empêche la machine de fonctionner (EPB – EPBS – EPN – EPNS).

---

## **8 ENTRETIEN**

---

### **8.1 Journalier par un utilisateur formé**

- A. Vérifier s'il ne faut pas vider le bac à miettes.
- B. Nettoyer les tables (fig.1, n°5) (fig.3, n°16) à l'aide d'une brosse.
- C. Utiliser un chiffon sec pour le nettoyage intérieur.
- D. Pour l'entretien extérieur, utiliser un chiffon humide.

### **8.2 Toutes les 25 000 coupes et/ou 1 fois par an au minimum, par un agent agréé**

- A. Retirer la fiche de la prise (fig.2, n°15).
- B. Vérifier l'état des lames de coupe (fig.1, n°4).
- C. Si une dépréciation de la qualité de la coupe est notée, il faut procéder au remplacement des lames de coupe (référence JAC : 610001, 610011, 610019 du catalogue de Pièces de Rechange JAC).
- D. Si elles sont à changer, remplacer les lames conformément à la procédure de changement des lames de coupe (fig.12).



- E. NB : Ne pas tendre les lames à l'excès, au risque de déformer les cadres.
- F. Nettoyer à la brosse et aspirer l'intérieur de la machine.
- G. Vérifier l'état des roulements, ensuite graisser ceux-ci.
- H. Graisser les articulations du vérin.

Bien vérifier que votre agent agréé enregistre son intervention dans votre carnet d'entretien afin de conserver votre garantie de 5 ans.

### **Complément d'entretien pour les modèles avec huilage**

**L'huile à utiliser est : 7940019 (comme mentionné dans le catalogue JAC « pièces détachées »  
Ou une huile végétale liquide alimentaire avec antioxydant naturel**

**Toutes les 1000 coupes ou tous les 15 jours**, par un utilisateur formé :

Ajouter la dose d'huile alimentaire (100 à 150 ml) nécessaire pour imbiber les feutres du pousse-pains (actionner le bouton d'avance chariot pour permettre l'accès au bouchon d'alimentation d'huile).

**Toutes les 25 000 coupes et/ou 1 fois par an au minimum**, par un agent agréé :

Retirer la fiche de la prise.  
Remplacer les feutres du pousse-pains.

### **8.3 Changement des lames**

(fig.12)

Veiller à toujours porter des gants de protection anti-coupure (Norme EN 388 : 2003 indice B= 5) et des chaussures de sécurité lors du remplacement des lames ou lors d'une opération au voisinage des lames.

Après s'être assuré que la fiche de la machine (fig.2, n°15) est bien déconnectée du secteur

- A. Retirer la palette d'ensachage.
- B. Dévisser la table avant sur les côtés de la machine.
- C. Retirer la table avant.
- D. Dévisser la coiffe.
- E. Ouvrir la coiffe qui protège les cadres support lames. Sur la partie supérieure du cadre avant, desserrer les vis **A** qui fixent le cadre aux lamelles de polypropylène (ne jamais démonter les lamelles de la carcasse, vous risqueriez de modifier les réglages d'usine).
- F. Coucher le cadre vers l'avant. Remplacer les lames du cadre arrière (déposer de quoi se protéger sur les lames du cadre avant). Desserrer les contre-écrous des vis **B** (machines Misch). Desserrer les contre-écrous vissés sur les vis B (EPF – EPFS – EPM – EPN). Desserrer les vis **B** 6 pans creux qui tendent les lames. Remplacer les lames en contrôlant qu'elles soient bien placées dans l'ergot des balanciers. Retendre les lames en serrant les vis **B** avec, comme repère pour la tension, les lames restées sur le cadre. Serrer ensuite les écrous (machine équipée de l'option huilage).

**Afin de ne pas déformer le cadre et de ne pas risquer de casses dangereuses, ne remplacer que 1 à 3 lame(s) à la fois en alternant de gauche à droite.**

Recommencer la procédure du point 6 pour le cadre avant et remonter le cadre avant ainsi que les éléments d'habillage.

Connecter la machine au réseau électrique, la machine est prête.

Bien vérifier que votre agent agréé enregistre son intervention dans votre carnet d'entretien afin de conserver votre garantie de 5 ans

## 9 CONSOMMABLES

Lors d'une commande d'une pièce de rechange, vérifier avec votre agent agréé de quelle pièce il s'agit sur la base du catalogue de pièces de rechange émis par le fabricant.  
Toujours préciser le numéro de machine comme indiqué sur la plaque signalétique.  
Votre agent effectue les commandes auprès de JAC.

### 9.1 Liste des CONSOMMABLES

CODE ARTICLE	LIBELLE	MODELE
7240032	COURROIE	TOUTES
5690012	PATIN DE GLISSIERE 140MM	TOUTES
5690020	LAMELLE DE CADRES	TOUTES
6110001	COUTEAU JAC 13MM/0,5MM	ECO+ 450,ECO+ 450 SOUFFLEUSE,FACE+ 450
6110011	COUTEAU JAC 13MM/0,5MM + TEFLON	ECO+ 450M,ECO+ 450M SOUFFLEUSE,FACE+ 450M
6110019	COUTEAU JAC 13MM/0,7MM	ECO+ 600,ECO+ 600M,ECO+ 600 SOUFFLEUSE
5310026	RESSORT PRESSE PAIN ANNEAU PLASTIQUE	ECO+ 450,ECO+ 450 SOUFFLEUSE,ECO+ 600,ECO+ 600 SOUFFLEUSE,FACE+ 450
5310030	RESSORT PRESSE PAIN ANNEAU INOX	ECO+ 450M,ECO+ 450M SOUFFLEUSE,ECO+600M,FACE+ 450M
5315013	RESSORT A GAZ 40N	TOUTES
5690151	PATIN PRESSE PAIN	TOUTES
5630012	BUTEE CAOUTCHOUC Ø 6MM	TOUTES
5690102	JAC FLAPS	TOUTES
6120002	FEUTRE POUSSE-PAIN	ECO+ 450M,ECO+ 450M SOUFFLEUSE,FACE+ 450M
4-04846	FEUTRE POUSSE-PAIN	ECO+ 600M

<b>Problème</b>	<b>Vérification</b>
<b>La machine ne tourne pas</b>	Brancher la machine à l'aide du câble (fig.2, n°15)
	Déverrouiller l'arrêt d'urgence (fig.1, n°10)
	Fermer le capot
	Contactez votre agent agréé si le voyant vert clignote
	Fermer la porte avant
<b>La machine fonctionne, mais les pains sont endommagés ou coupés de manière irrégulière</b>	Vérifier s'il ne faut pas remplacer les lames (fig.12)
	Laisser le pain refroidir quelques heures
	Introduire un pain aux dimensions acceptées
	Introduire un pain assez ferme
	Si les lames sont désalignées, régler les lames et les cadres
<b>Le pain vibre dans les lames</b>	Si les lames sont désalignées, régler les lames et les cadres
<b>Le pain se coupe trop lentement</b>	Vérifier s'il ne faut pas remplacer les lames (fig.12)
	Choisir un autre réglage de pression sur le sélecteur de pression (ISC)
	Vérifier que les ressorts du presse-pains sont bien en place (fig.14, n°28)
<b>Le pain se déchire</b>	Si les lames sont désalignées, régler les lames et les cadres
	Vérifier que les ressorts du presse-pains sont bien en place (fig.14, n°28)
	Vérifier s'il ne faut pas remplacer les lames (fig.12)
	Contactez votre agent agréé si le voyant vert clignote
<b>Le pain sort très lentement ou reste dans les lames</b>	Vérifier que les ressorts du presse-pains sont bien en place (fig.14, n°28)
<b>Le pain est écrasé en sortie des lames</b>	Enlever un ressort du presse-pains et recommencer votre test (fig.14, n°28)

**ATTENTION :** La machine doit obligatoirement être mise hors tension pour toute intervention.



**Si le problème persiste, veuillez contacter votre technicien.**

## 11 CODES D'ERREUR

Clignotement ou code affiché sur l'écran	Description du problème	Action
2	Sécurité SECU1 ouverte pendant cycle.	Veuillez redémarrer la machine à l'aide de l'arrêt d'urgence (fig.1, n°10). Si le problème persiste, veuillez contacter votre technicien.
3	Courant au vérin (M2) supérieur à 6A pendant 1 seconde, lors de l'avance / coupe.	
4	Sécurité thermique moteur de coupe (F3) enclenché.	
5	Pas de mouvement du vérin (M2) malgré tension au maximum.	
6	Pousse-pains pas en position initiale. Fin de course S1 pas enclenchée.	
7	Temps de cycle d'avance / coupe supérieur à 60 secondes.	
8	Temps de cycle de recul supérieur à 30 secondes.	
9	Fin de course de position arrière (S1) et avant (S2) enclenchées en même temps.	
10	Courant au vérin (M2) supérieur à 5A pendant 1 seconde, lors du recul du chariot.	
11	Capot de sécurité avant (S3) ouvert pendant un cycle.	



**Si le problème persiste, veuillez contacter votre technicien.**

## 12 LISTE DES COMPOSANTS SUR LES FIGURES

Figure	Bulle	Nom
1	1	Aimant de capot supérieur
	2	Capot supérieur
	3	Coiffe
	4	Lames
	5	Table avant
	6	Bouton de reset compteur huile
	7	Bac à mies
	8	Porte avant
	9	Ensachoir
	10	Bouton d'arrêt d'urgence
	11	Voyant ou bouton lumineux vert
	12	Compteur
	13	Roulettes freinées
2	14	Tôle arrière
	15	Câble d'alimentation
3	16	Table arrière
	17	Verrou magnétique
	18	Zone de travail
7	19	Souffleuse ensacheuse
	20	Bouton de commande de souffleuse
8	21	Cellule de sécurité
9	22	Barre de sécurité
10	23	Interrupteur de sécurité mécanique
11	24	Interrupteur de sécurité mécanique
13	25	Signalétique « risque de coupure »
	26	Schéma électrique
	27	Signalétique « risque d'électrocution »
14	28	Ressort de presse-pains décrochable
15	29	Butée réglable d'ensachoir



<b>1</b>	<b>VOR DER INBETRIEBNAHME .....</b>	<b>34</b>
<b>2</b>	<b>GARANTIE.....</b>	<b>34</b>
<b>3</b>	<b>WARNHINWEISE .....</b>	<b>35</b>
<b>4</b>	<b>TECHNISCHE DATEN.....</b>	<b>36</b>
4.1	Technische Daten .....	36
4.2	Materialien, die in Kontakt mit dem Brot kommen .....	37
<b>5</b>	<b>INSTALLATION UND INBETRIEBNAHME.....</b>	<b>37</b>
5.1	Auspacken der Maschine: .....	37
5.2	Aufstellung:.....	38
5.3	Anschluss an die Stromversorgung:.....	38
5.4	Inbetriebnahme:.....	39
5.5	Gefahr: .....	39
<b>6</b>	<b>BEDIENELEMENT UND SICHERHEITSVORRICHTUNG.....</b>	<b>39</b>
6.1	Bedienelement: .....	39
6.2	Arbeitsbereich: .....	39
6.3	Sicherheitseinrichtungen: .....	39
<b>7</b>	<b>BEDIENUNG.....</b>	<b>40</b>
<b>8</b>	<b>INSTANDHALTUNG.....</b>	<b>41</b>
8.1	Taglich durch einen eingewiesenen Bediener:.....	41
8.2	Nach 25.000 Schnitten und/oder mindestens ein Mal jahrlich durch einen zugelassenen Vertreter: .....	41
8.3	Austausch der Messer .....	41
<b>9</b>	<b>ERSATZTEILE.....</b>	<b>43</b>
9.1	ERSATZTEILLISTE .....	43
<b>10</b>	<b>STÖRUNGEN UND FEHLER.....</b>	<b>44</b>
<b>11</b>	<b>FEHLERCODES.....</b>	<b>45</b>
<b>12</b>	<b>LISTE DER ABGEBILDETEN TEILE UND FUNKTIONEN .....</b>	<b>46</b>

---

## 1 VOR DER INBETRIEBNAHME

---

Vielen Dank, dass Sie sich für ein Gerät von JAC entschieden haben. Bitte lesen Sie diese Bedienungsanleitung vor der Installation und Inbetriebnahme dieser Maschine aufmerksam durch. Dies dient zu Ihrer Sicherheit und zum Schutz der Maschine vor Schäden.

Diese Bedienungsanleitung enthält Verweise auf verschiedene Abbildungen, die das Verständnis der Anleitungen erleichtern. Die Abbildungen befinden sich am Schluss der Bedienungsanleitung. Bitte schlagen Sie die jeweilige Abbildung anhand des angegebenen Verweises (Fig. X, Nr. Y) nach.

**Damit Sie sich viele Jahre an dieser Maschine erfreuen können, möchten wir Sie bitten, die folgenden Hinweise zu berücksichtigen:**

- Lassen Sie sich bei der Installation, der Inbetriebnahme und der weiteren Nutzung von Ihrem zugelassenen Vertreter unterstützen.
- Um die Garantie von fünf Jahren (siehe nachfolgende Garantiebestimmungen) in Anspruch nehmen zu können, lassen Sie bitte von Ihrem Vertriebshändler bei der Installation Ihrer Maschine das Wartungsheft ausfüllen. Das Wartungsheft befindet sich an der Rückseite Ihrer Maschine.

---

## 2 GARANTIE

---



**JAC bietet auf alle seine Produkte eine Garantie von fünf Jahren.**

Diese Garantie erstreckt sich auf alle Teile Ihrer Maschine, auch auf die elektronischen Bauteile, außer Verschleißteile. Die Garantiefrist beginnt zum Zeitpunkt der Installation der Anlage.

**Es gelten die folgenden Beschränkungen:**

- Das Produkt wurde bei einem zugelassenen Vertragshändler erworben.
- Die Installation wurde von einem zugelassenen Vertreter vorgenommen.
- Das Produkt wurde im Rahmen seines bestimmungsgemäßen Gebrauchs und entsprechend der Bedienungsanleitung verwendet.
- Das Produkt wurde täglich entsprechend den Vorgaben der Bedienungsanleitung instandgehalten.
- Die Wartung wird durch einen zugelassenen Vertreter entsprechend den Wartungsvorgaben durchgeführt und findet mindestens einmal jährlich statt (auf Kosten des Anwenders).
- Es werden ausschließlich Originalersatzteile von JAC verwendet.



**Sofern keine Wartung durch einen zugelassenen Vertreter erfolgt bzw. das Wartungsheft nicht ordnungsgemäß ausgefüllt ist, ist die Garantie auf ein Jahr begrenzt.**

**Diese Garantie deckt nicht:**

- den Ersatz von Verschleißteilen (siehe Abschnitt 9);
- Teile, die unser Kundendienst nicht als defekt anerkennt;

- Probleme, die sich aus einer ungewöhnlichen Nutzung des Produktes ergeben;
- Probleme, die darauf zurückzuführen sind, dass die Installation nicht durch einen zugelassenen Vertreter durchgeführt wurde;
- Beschädigungen oder Probleme, die auf einen Transportschaden oder auf die unsachgemäße Handhabung des Produktes zurückzuführen sind.

**Die Durchführung einer Reparatur und/oder der Ersatz defekter Teile während der Garantiefrist führen nicht zur Verlängerung der Garantiefrist.**

---

### 3 **WARNHINWEISE**

---

Bitte bewahren Sie diese Bedienungsanleitung unbedingt mit Ihrem Gerät zum späteren Nachlesen auf. Bei Verkauf oder Weitergabe Ihres Gerätes übergeben Sie bitte diese Bedienungsanleitung an den neuen Besitzer bzw. Benutzer, damit dieser über die Funktionsweise des Gerätes und die Warnhinweise informiert ist und diese befolgen kann.



**Diese Warnhinweise dienen zu Ihrer Sicherheit und der Sicherheit anderer. Bitte lesen Sie die Warnhinweise vor der Installation und Verwendung Ihres Gerätes aufmerksam durch.**

Diese Maschine ist für die Verwendung durch befugte erwachsene Personen bestimmt. Stellen Sie sicher, dass die Maschine nicht von Kindern berührt oder als Spielzeug benutzt wird.

Diese Maschine ist ausschließlich für den professionellen Einsatz vorgesehen.

Eine Modifizierung bzw. versuchte Modifizierung der Eigenschaften und Merkmale dieser Maschine ist gefährlich.

Stellen Sie nach der Installation dieser Maschine sicher, dass diese nicht auf dem Netzkabel steht.

Befolgen Sie stets die Anleitungen zur Bedienung und Verwendung.

Die Maschine ist in einem Innenraum und gegen Feuchtigkeit und Hitze geschützt aufzustellen.

Die Maschine muss zur Durchführung der Arbeiten ausreichend ausgeleuchtet sein.

Der Geräuschpegel der Maschine liegt unter 75 dB(A) und entspricht damit der EN ISO 3744.

Die Maschine darf nicht von mehreren Personen gleichzeitig benutzt werden (es sei denn, die Anleitung gibt etwas Anderes vor).

Die Maschine dient zum Schneiden abgekühlter Brotlaibe.



**Diese Maschine darf nicht zum Schneiden der folgenden Brote, Artikel und Materialien verwendet werden:**

- Warmes Brot, altbackenes Brot
- Gefrorenes oder halb aufgetautes Brot
- Vollwertbrot mit harter Kruste und andere Brotsorten mit harter Kruste

- Roggenbrot
- Ungenießbare Produkte wie Holz, Kunststoff oder Ähnliches
- Lebensmittel, die nicht zur Gruppe der Backwaren (speziell Brote und Kuchen) gehören.

**Die Verwendung der Maschine zum Schneiden nicht zulässiger Brote, Artikel und Materialien kann zur Beschädigung der Maschine führen.**



**Vor Reinigungsarbeiten innen und außen am Gerät und vor Wartungsarbeiten immer den Netzstecker ziehen.**

Dieses Gerät ist sehr schwer. Beim Transport und Bewegen des Gerätes sind angemessene Vorsichtsmaßnahmen zu ergreifen.

## 4 TECHNISCHE DATEN

### 4.1 Technische Daten

	ECO+ 450	ECO+ 450 M	ECO+ 600	ECO+ 450 Gebläse	ECO+ 450 M Gebläse	ECO+ 600 Gebläse
Höhe (mm)	1337		1337	1337		1337
Breite (mm)	604		784	1051		1231
Tiefe (mm)	745		745	829		829
Länge der Schneidkammer (mm)	310	300	310	310	300	310
Breite der Schneidkammer (mm)	440		600	440		600
Höhe der Schneidkammer (mm)	160		160	160		160
Verpackungsmaße (mm)	800 x 860 x 1600					
Nettogewicht (kg)	165		180	175		190
Nettogewicht + Verpackung (kg)	185		200	195		210
Motorleistung (kW)	0,49	1,1	1,1	0,49	1,1	1,1
Motortyp	Einphasig oder dreiphasig	dreiphasig	Einphasig oder dreiphasig	Einphasig oder dreiphasig	dreiphasig	Einphasig oder dreiphasig
220 V - 50 Hz (A)	5	-	5	5	-	5
380 V - 50 Hz (A)	3,2	3,2	3,2	3,2	3,2	3,2
Kapazität (Brote/Stunde)	200<500					
Geräuschpegel (dB)	<75					

	FACE+	FACE+ M
Höhe (mm)	1418	1418
Breite (mm)	604	604
Tiefe (mm)	654	654
Länge der Schneidkammer (mm)	310	310
Breite der Schneidkammer (mm)	440	440
Höhe der Schneidkammer	160	160



(mm)		
<b>Verpackungsmaße (mm)</b>	800 x 860 x 1600	800 x 860 x 1600
<b>Nettogewicht (kg)</b>	165	165
<b>Nettogewicht + Verpackung (kg)</b>	185	185
<b>Motorleistung (kW)</b>	0,49	0,49
<b>Motortyp</b>	Einphasig oder dreiphasig	dreiphasig
<b>220 V - 50 Hz (A)</b>	5	-
<b>380 V - 50 Hz (A)</b>	3,2	3,2
<b>Kapazität (Brote/Stunde)</b>	200<500	200<500
<b>Geräuschpegel (dB)</b>	<75	<75

<b>Verstärkter Motor</b>	Option
<b>Aufblasgerät (ECO+450 – ECO+600)</b>	Option
<b>Lichtschranke</b>	Option
<b>Erhöhung um 4 cm</b>	Option
<b>Druckwahlschalter</b>	Option
<b>Doppelschnitt (ECO+600)</b>	Option
<b>Tageszähler</b>	Option
<b>Sonderfarbe</b>	Option
<b>Spezialmesser</b>	Option

#### 4.2 Materialien, die in Kontakt mit dem Brot kommen

**Aufgabetisch:** EDELSTAHL 430

**Brotschieber:** EDELSTAHL 430

**Brotpresse:** EDELSTAHL 430

**Messer:** Stahl

**Austragstisch:** EDELSTAHL 430

**Brotablage:** EDELSTAHL 430

---

## 5 **INSTALLATION UND INBETRIEBNAHME**

---

### 5.1 Auspacken der Maschine:

Unsere Maschinen werden zur Lieferung ab Werk auf Paletten verpackt, mit Umreifungsbändern gesichert und mit einer Kartonverpackung geschützt. Prüfen Sie die Verpackung bei Erhalt auf Beschädigungen und teilen Sie dem Spediteur etwaige Transportschäden direkt mit.

- A. Entfernen Sie die Kartonverpackung und die Folie von der Maschine.
- B. Entfernen Sie die Umreifungsbänder und bedenken Sie dabei, dass diese beim Durchschneiden aufspringen.
- C. Lösen Sie die Maschine durch Entfernen der Holzleisten, welche die Räder sichern, von der Palette.

- D. Heben Sie die Maschine von der Palette. Dies muss durch mindestens zwei Personen erfolgen, so dass die Maschine möglichst sicher auf dem Boden abgesetzt werden kann.
- E. Den einstellbaren Anschlag der Brotablage auf der Brotablage einrichten (Fig. 15, Nr. 29).

**Die Maschine nach dem Auspacken auf Transportschäden überprüfen. Melden Sie uns bitte alle Fehler und Schäden.**

**5.2 Aufstellung:**

Um eine hohe Leistung, eine lange Lebensdauer und einen zuverlässigen Betrieb sicherzustellen, sollte der Aufstellort wie folgt beschaffen sein:

Gut belüftet, vor direkter Sonneneinstrahlung geschützt, in ausreichender Entfernung zu Wärmequellen, mit tragfähigem und schwingungsfreiem Boden.

**5.3 Anschluss an die Stromversorgung:**

**WICHTIG:** Die Erdung der Maschine ist vorgeschrieben.

Wir empfehlen den Schutz der Anlage durch eine Sicherung und einen FI-Schutzschalter.

Ihr Stromnetz zur Versorgung der Maschine muss folgendermaßen geschützt werden:

- Nordamerika: Schutz 15 A;
- Rest der Welt: Schutz 16 A.

Maschinen mit Stromrichter müssen zwingend über einen FI-Schutzschalter für 300 mA angeschlossen werden.

Hinweis: Probleme und Störungen, die sich durch abweichende Ausführung des Anschlusses ergeben, sind nicht durch die Garantie gedeckt.

Prüfen Sie vor dem Anschließen der Maschine an das Stromnetz unbedingt, ob die Stromversorgung für die Maschine geeignet ist (siehe Angaben auf dem Typenschild), um einen Motorausfall beim Einschalten zu vermeiden.

Dieses Gerät entspricht den Maschinenrichtlinien 2006/42, 2006/95, 2004/108 und ist daher mit dem CE-Zeichen gekennzeichnet.

Bitte beachten Sie die an der Maschine angebrachten Warnsymbole:



Warnsymbol zur Anzeige der Schneidgefahr. Dieses Warnsymbol befindet sich auf der Vorderseite der Maschine im Bereich der Brotaufnahme. (Fig. 13, Nr. 25)

Den Schaltplan der Maschine finden Sie auf der Rückseite der Schaltkastentür. (Fig. 13, Nr. 26)



Warnsymbol zur Anzeige der Gefahr eines tödlichen Stromschlags. Die Maschine vor jedem Eingriff vom Stromnetz nehmen. Das Warnsymbol ist an der Rückseite der Maschine neben dem Netzanschluss sowie im Inneren der Maschine auf dem Schaltkasten angebracht (Fig. 23, Nr. 27). (Fig. 13, Nr. 27)

#### 5.4 Inbetriebnahme:

Vor der Inbetriebnahme sicherstellen, dass sich keine Fremdkörper auf den beweglichen Teilen der Maschine befinden.

Weitere Informationen zur Verwendung der Maschine erhalten Sie im Abschnitt „Bedienung“.

#### 5.5 Gefahr:

Bei einer Gefahr für den Anwender oder die Maschine ist die Maschine über den Hauptschalter auszuschalten.

Vor Wartungs- oder Instandsetzungsmaßnahmen den Netzstecker ziehen.

Die Klinge niemals berühren, und zwar auch dann nicht, wenn die Maschine abgeschaltet ist.

Das Messer muss von einem zugelassenen Vertreter ausgetauscht werden.

Tragen Sie beim Austausch der Messer und bei Arbeiten direkt im Bereich des Messers stets Schutzhandschuhe, um sich gegen Schnittverletzungen zu schützen.

Wartungsmaßnahmen und der Austausch von Ersatzteilen dürfen nur durch eine qualifizierte Person erfolgen.

---

### 6 **BEDIENELEMENT UND SICHERHEITSVORRICHTUNG**

---

#### 6.1 Bedienelement:

Ihre Brotschneidemaschine ist serienmäßig mit zwei Tasten ausgestattet: einem Einschalter und einem Not-Aus-Schalter.

Optional kann sie mit den folgenden Zusatzschaltern ausgerüstet werden:

- Druckwahlschalter
- Automatikmodus
- Einschalten des Gebläses (für Maschinen, die mit einem Gebläse ausgestattet sind)

#### 6.2 Arbeitsbereich:

Der Arbeitsbereich befindet sich an der Vorderseite der Maschine (Fig. 3, Nr. 18).

#### 6.3 Sicherheitseinrichtungen:

Diese Maschine ist mit folgenden Sicherheitseinrichtungen ausgestattet:

mit einem **mechanischen Sicherheitsschalter** (Fig. 10, Nr. 23) (EPK – EPF – EPKS – EPFS – EGK – EGF)

der sich hinter der oberen Abdeckung befindet

und die Maschine anhält, wenn die obere Abdeckung geöffnet wird (Fig. 1, Nr. 2);

mit einem **mechanischen Sicherheitsschalter** (Fig. 11, Nr. 24)

an der Maschinenunterseite unterhalb des Krümelbehälters

und der den Betrieb der Maschine bei geöffneter Vordertür verhindert (Fig. 1, Nr. 8);

mit **photoelektrischen Zellen**, die den Betrieb der Maschine unterbrechen, wenn das Lichtbündel unterbrochen wird (Option) (EPL – EPM – EPLS – EPMS – EGL – EGM) (Fig. 8, Nr. 21);

mit **einem Sicherheitsriegel**, der bei Betätigung den Betrieb der Maschine verhindert. (Option) (EPB – EPBS – EPN – EPNS)

---

## 7 **BEDIENUNG**

---

Vor dem Betrieb die mit Bremsen versehenen Räder feststellen (Fig. 1, Nr. 13).

**Die Maschine bei Tagesbeginn über den Not-Aus einschalten**  
(Fig. 1, Nr. 10).

### **Bedienung:**

OPTION: Die Einstellung über den Wahlschalter (Fig. 4) auswählen:

- 1: langsame Geschwindigkeit
- 2: hohe Geschwindigkeit
- ISC: Automatik

OPTION: Für den durchgehenden Betrieb auf die Taste **AUTO (Fig. 4) drücken**.

A, A'. Das Brot auf dem hinteren Tisch (Fig. 3, Nr. 16) zwischen den Messern und dem beweglichen Teil (Fig. 5, Fig. 6) ablegen.

B. Den Deckel schließen (Fig. 1, Nr. 2) (Fig. 5)

B'. Auf die grüne Taste drücken (Fig. 1, Nr. 11) (Option Lichtschranke oder Sicherheitsriegel)  
(Fig. 6)

C, C'. Das Brot vom vorderen Tisch entnehmen (Fig. 5) (Fig. 6)

OPTION: Zur Betätigung des Gebläses (Fig. 7, Nr. 19) auf die weiße Taste auf der rechten Seite drücken (Fig. 7, Nr. 20).

Am Ende des Tages auf die rote Taste, den **Not-Aus (Fig. 1, Nr. 10)**, drücken, um die Maschine abzuschalten.

**Tipp:** Nach den ersten Betriebstagen die Spannung der Messer durch eine qualifizierte Person überprüfen lassen.

**Kapazität:** Anzahl der geschnittenen Brote pro Tag: 6.000 (je nach Brotsorte).

Brotgrößen:

450: (L x L x H) (cm): min. 12 x 6 - max. 44 x 16

600: (L x L x H) (cm): min. 12 x 6 - max. 58 x 16

### **Sicherheit**

Wenn die Sicherheitsabdeckung (Fig. 1, Nr. 2) geöffnet wird, wird der Betrieb der Maschine unterbrochen;

Bewegungen vor den photoelektrischen Zellen (Fig. 8, Nr. 21) verhindern den Betrieb der Maschine (wenn die Maschine mit dieser Option ausgestattet ist).

Die Aktivierung einer Sicherheitseinrichtung wird durch das Blinken der grünen Taste/des grünen Sichtfensters angezeigt. Die Anzahl des Blinkens entspricht einem Fehlercode (§ 11).



Das Betätigen des Sicherheitsriegels (Fig. 9, Nr. 22) verhindert den Betrieb der Maschine (EPB – EPBS – EPN – EPNS).

---

## **8 INSTANDHALTUNG**

---

### **8.1 Täglich durch einen eingewiesenen Bediener:**

- A. Prüfen, ob das Krümelfach geleert werden muss.
- B. Die Tische (Fig. 1, Nr. 5) (Fig. 3, Nr. 16) mit einer Bürste reinigen.
- C. Den Innenbereich mit einem trockenen Tuch reinigen.
- D. Zur Reinigung des Außenbereichs ein feuchtes Tuch verwenden.

### **8.2 Nach 25.000 Schnitten und/oder mindestens ein Mal jährlich durch einen zugelassenen Vertreter:**

- A. Den Stecker aus der Steckdose ziehen (Fig. 2, Nr. 15).
- B. Den Zustand der Messer überprüfen (Fig. 1, Nr. 4).
- C. Soweit die Schneidqualität nachgelassen hat, muss das Messer ausgetauscht werden (JAC Bestellnummer: 610001, 610011, 610019 Ersatzteilkatalog JAC)
- D. Das Messer ist entsprechend dem für den Austausch der Messer vorgeschriebenen Verfahren auszutauschen (Fig. 12).
- E. HINWEIS: Die Messer nicht zu stark spannen - andernfalls können die Rahmen verformen.
- F. Mit der Bürste reinigen und den Innenbereich der Maschine absaugen.
- G. Den Zustand der Lager überprüfen und diese schmieren.
- H. Die Zylindergelenke schmieren.

Hier bitte sicherstellen, dass Ihr zugelassener Vertreter diese Maßnahmen im Wartungsheft festhält, um Ihren Garantieanspruch von fünf Jahren zu erhalten.

### **Zusätzliche Wartungsmaßnahmen bei Modellen mit Schmiersystem**

**Es ist folgendes Öl zu verwenden: 7940019 (wie im JAC Ersatzteilkatalog beschrieben).  
Oder ein flüssiges und für den Lebensmittelbereich zugelassenes Pflanzenöl mit natürlichen Antioxidantien.**

### **Nach 1000 Schneidvorgängen oder alle zwei Wochen durch einen eingewiesenen Bediener:**

Die erforderliche Menge an Speiseöl (100 bis 150 ml) zugeben, um den Filz des Brotschiebers zu befeuchten (den Schalter für die Vorwärtsbewegung des Wagens betätigen, um an den Stopfen für die Ölversorgung zu gelangen).

### **Nach 25.000 Schnitten und/oder mindestens ein Mal jährlich durch einen zugelassenen Vertreter:**

Den Stecker aus der Steckdose ziehen;  
Den Filz des Schiebers ersetzen.

### **8.3 Austausch der Messer**

(Fig. 12)

Beim Austausch der Messer oder bei Arbeiten in der Umgebung der Messer müssen Schnittschutzhandschuhe (Norm EN 388: 2003, Index B = 5) sowie Sicherheitsschuhe getragen werden.

Sich zunächst vergewissern, dass der Netzstecker der Maschine (Fig. 2, Nr. 15) gezogen ist.

- A. Das Beutelblech entfernen.
- B. Den vorderen Tisch an den Seiten der Maschine abschrauben.

- C. Den vorderen Tisch herausziehen.
- D. Die Abdeckung abschrauben.
- E. Die Abdeckung der Messertragrahmen öffnen. Am oberen Teil des vorderen Rahmens die **A**-Schrauben lösen, mit denen der Rahmen an den Polypropylenlamellen befestigt ist (die Lamellen niemals vom Gerät entfernen, das es so zu einer Änderung der werkseitigen Einstellungen kommen kann).
- F. Den Rahmen nach vorne umklappen. Die Messer des hinteren Rahmens austauschen (einen Schutz auf die Messer des vorderen Rahmens legen). Die **B**-Gegenmuttern lösen (Misch-Maschinen). Die mit den B-Schrauben verbundenen Gegenmuttern (EPF – EPFS – EPM – EPN) lösen. Die sechs Innensechskantschrauben **B** zum Spannen der Messer lösen. Die Messer austauschen und dabei darauf achten, dass sie ordnungsgemäß auf dem Führungszapfen der Ausleger sitzen. Die Messer durch Anziehen der **B-Schrauben** wieder spannen und sich dabei an der Spannung der verbleibenden Messer im Rahmen orientieren. Anschließend die Muttern anziehen (Maschinen mit Schmieresystem).

**Um den Rahmen nicht zu verformen und um zu verhindern, dass es zu gefährlichen Schäden kommt, nur ein bis drei Messer auf ein Mal und abwechselnd von links nach rechts austauschen.**

Für den vorderen Rahmen das Verfahren ab Punkt 6 wiederholen und den vorderen Rahmen und die Verkleidungselemente wieder einsetzen.

Die Maschine mit dem Stromnetz verbinden. Die Maschine ist betriebsbereit.

Hier bitte sicherstellen, dass Ihr zugelassener Vertreter diese Maßnahmen im Wartungsheft festhält, um Ihren Garantieanspruch von fünf Jahren zu erhalten.

## 9 ERSATZTEILE

Um Ersatzteile für Ihre Maschine zu bestellen, lassen Sie von Ihrem Vertreter anhand des Ersatzteilkatalogs des Herstellers prüfen, um welche Teile es sich genau handelt. Dazu immer die Maschinenummer übermitteln, die auf dem Typenschild steht. Ihr Vertreter bestellt das Ersatzteil dann bei JAC.

### 9.1 ERSATZTEILLISTE

ARTIKELCODE	BEZEICHNUNG	MODELL
7240032	RIEMEN	ALLE
5690012	GLEITSCHUH 140 MM	ALLE
5690020	RAHMENLAMELLE	ALLE
6110001	JAC-MESSER 13 MM/0,5 MM	ECO+ 450, ECO+ 450 GEBLÄSE, FACE+ 450
6110011	JAC-MESSER 13 MM/0,5 MM + TEFLON	ECO+ 450M, ECO+ 450M GEBLÄSE, FACE+ 450M
6110019	JAC-MESSER 13 MM/0,7 MM	ECO+ 600, ECO+ 600M, ECO+ 600 GEBLÄSE
5310026	FEDER BROT PRESSE KUNSTSTOFFRING	ECO+ 450, ECO+ 450 GEBLÄSE, ECO+ 600, ECO+ 600 GEBLÄSE, FACE+ 450
5310030	FEDER BROT PRESSE EDELSTAHLRING	ECO+ 450M, ECO+ 450M GEBLÄSE, ECO+600M, FACE+ 450M
5315013	GASFEDER 40N	ALLE
5690151	GLEITSCHUH BROT PRESSE	ALLE
5630012	KAUTSCHUKANSCHLAG Ø 6MM	ALLE
5690102	JAC FLAPS	ALLE
6120002	FILZ BROT PRESSE	ECO+ 450M, ECO+ 450M GEBLÄSE, FACE+ 450M
4-04846	FILZ BROT PRESSE	ECO+ 600M

<b>Problem</b>	<b>Fehlersuche</b>
<b>Die Maschine funktioniert nicht.</b>	Die Maschine über das Kabel anschließen (Fig. 2, Nr. 15).
	Den Not-Aus entriegeln (Fig. 1, Nr. 10)
	Die Schneidkammertür schließen.
	Wenn die grüne Anzeige blinkt, den zugelassenen Vertreter kontaktieren.
	Die vordere Tür schließen.
<b>Die Maschine funktioniert, das Brot wird jedoch zerdrückt oder ungleichmäßig geschnitten.</b>	Möglicherweise müssen die Messer ausgetauscht werden (Fig. 12)
	Lassen Sie das Brot einige Stunden lang abkühlen.
	Schneiden Sie nur Brote passender Größe.
	Schneiden Sie nur ausreichend feste Brote.
	Wenn die Messer nicht ausgerichtet sind, die Messer und Rahmen einstellen.
<b>Das Brot vibriert zwischen den Messern.</b>	Wenn die Messer nicht ausgerichtet sind, die Messer und Rahmen einstellen.
<b>Das Brot wird zu langsam geschnitten.</b>	Möglicherweise müssen die Messer ausgetauscht werden (Fig. 12)
	Über den Druckwahlschalter (ISC) eine andere Druckeinstellung auswählen. Überprüfen, ob die Federn der Brotpresse richtig platziert sind (Fig. 8, Nr. 28)
<b>Das Brot wird zerrissen.</b>	Wenn die Messer nicht ausgerichtet sind, die Messer und Rahmen einstellen.
	Überprüfen, ob die Federn der Brotpresse richtig platziert sind (Fig. 8, Nr. 28)
	Möglicherweise müssen die Messer ausgetauscht werden (Fig. 12)
	Wenn die grüne Anzeige blinkt, den zugelassenen Vertreter kontaktieren.
<b>Das Brot wird nur sehr langsam ausgegeben oder bleibt im Bereich der Messer stecken.</b>	Überprüfen, ob die Federn der Brotpresse richtig platziert sind (Fig. 8, Nr. 28)
<b>Das Brot wird am Ende der Messer zusammengedrückt.</b>	Eine Brotpressenfeder entfernen und den Test beginnen (Fig. 14, Nr. 28)

**VORSICHT:** Vor allen Eingriffen an der Maschine ist die Maschine zwingend von der Stromversorgung zu trennen.



Bei Anhalten des Problems wenden Sie sich bitte an Ihren Servicetechniker.

## 11 FEHLERCODES

Blinken oder Fehlercode am Touchscreen	Fehlerbeschreibung	Fehlerbehebung
2	Sicherheit SECU1 wurde während des Betriebs geöffnet.	Die Maschine durch Drücken des Not-Aus-Schalters neu starten (Fig. 1, Nr. 10). Bei Anhalten des Problems wenden Sie sich bitte an Ihren Servicetechniker.
3	Strom am Zylinder (M2) während der Vorwärtsbewegung/des Schneidens eine Sekunde lang über 6 A.	
4	Die Thermosicherung des Schneidmotors (F3) hat ausgelöst.	
5	Keine Bewegung des Zylinders (M2) trotz maximaler Spannung.	
6	Der Brotschieber befindet sich nicht in der Ausgangsposition. Der Endschalter S1 hat nicht ausgelöst.	
7	Taktzeit Vorwärtsbewegung/Schneiden von mehr als 60 Sekunden.	
8	Taktzeit Rückwärtsbewegung von mehr als 30 Sekunden.	
9	Endschalter Position hinten (S1) und vorn (S2) gleichzeitig ausgelöst.	
10	Strom am Zylinder (M2) während der Rückwärtsbewegung des Schlittens eine Sekunde lang über 5A.	
11	Die vordere Sicherheitsabdeckung (S3) wurde während des Betriebs geöffnet.	



Bei Anhalten des Problems wenden Sie sich bitte an Ihren Servicetechniker.

## 12 LISTE DER ABGEBILDETEN TEILE UND FUNKTIONEN

Abbildung	Nummer	Bezeichnung
1	1	Magnet der oberen Abdeckung
	2	Obere Abdeckung
	3	Abdeckung
	4	Messer
	5	Vorderer Tisch
	6	Reset-Taste Ölzähler
	7	Krümelfach
	8	Vordere Maschinentür
	9	Brotablage
	10	Not-Aus-Schalter
	11	Grünes Sichtfenster oder grüner Schalter
	12	Zähler
	13	Blockiertes Rad
2	14	Blech hinten
	15	Netzkabel
3	16	hinterer Tisch
	17	Magnetische Verriegelung
	18	Arbeitsbereich
7	19	Beutelgebläse
	20	Gebälaseschalter
8	21	Sicherheitszelle
9	22	Sicherheitsriegel
10	23	mechanischer Sicherheitsschalter
11	24	mechanischer Sicherheitsschalter
13	25	Hinweis „Schneidgefahr“
	26	Schaltplan
	27	Hinweis „Gefahr eines Stromschlags“
14	28	abnehmbare Brotpressenfeder
15	29	einstellbarer Anschlag der Brotablage

<b>1</b>	<b>VÓÓR DE INBEDRIJFSTELLING</b> .....	<b>48</b>
<b>2</b>	<b>GARANTIE</b> .....	<b>48</b>
<b>3</b>	<b>WAARSCHUWINGEN</b> .....	<b>49</b>
<b>4</b>	<b>TECHNISCHE EIGENSCHAPPEN</b> .....	<b>50</b>
4.1	Technische eigenschappen .....	50
4.2	Materiaal dat rechtstreeks in contact komt met het .....	51
<b>5</b>	<b>INSTALLATIE EN INBEDRIJFSTELLING</b> .....	<b>51</b>
5.1	De machine uit de verpakking halen: .....	51
5.2	Plaatsing: .....	51
5.3	Elektrische aansluiting: .....	52
5.4	Inbedrijfstelling: .....	52
5.5	Gevaar: .....	52
<b>6</b>	<b>BEDIENINGS- EN VEILIGHEIDSPANEEL</b> .....	<b>53</b>
6.1	Bedieningspaneel: .....	53
6.2	Werkzone: .....	53
6.3	Veiligheidsvoorzieningen: .....	53
<b>7</b>	<b>GEBRUIK</b> .....	<b>53</b>
<b>8</b>	<b>ONDERHOUD</b> .....	<b>54</b>
8.1	Dagelijks door een opgeleide gebruiker .....	54
8.2	Om de 25.000 snij-acties en/of minimaal één keer per jaar door een erkende verdeler. ....	54
8.3	Vervanging van de bladen .....	55
<b>9</b>	<b>VERBRUIKSGOEDEREN</b> .....	<b>56</b>
9.1	Lijst met VERBRUIKSGOEDEREN .....	56
<b>10</b>	<b>STORINGEN</b> .....	<b>57</b>
<b>11</b>	<b>FOUTCODES</b> .....	<b>58</b>
<b>12</b>	<b>LIJST MET ONDERDELEN OP DE AFBEELDINGEN</b> .....	<b>59</b>

---

## 1 VÓÓR DE INBEDRIJFSTELLING

---

Bedankt dat u hebt gekozen voor een JAC-oplossing. Neem deze gebruikershandleiding grondig door voordat u deze machine installeert en in werking stelt. Zo kunt u uzelf beschermen en schade aan uw machine vermijden.

Deze handleiding verwijst naar diverse afbeeldingen zodat u de instructies beter kunt begrijpen. Deze afbeeldingen bevinden zich op het einde van de handleiding. Raadpleeg ze wanneer u de volgende symbolen tegenkomt (fig.X, n°Y).

**Om nog jarenlang van uw machine te kunnen genieten, raden we u aan om de volgende adviezen na te leven:**

- Doe een beroep op uw erkende verdeler voor de installatie, inbedrijfstelling en opvolging.
- Om te kunnen genieten van de garantie van vijf jaar (zie verder voor de voorwaarden), moet u bij de installatie van uw machine het onderhoudsboekje laten invullen door uw distributeur. Dit onderhoudsboekje bevindt zich aan de achterkant van uw machine.

---

## 2 GARANTIE

---



**JAC biedt een garantie van vijf jaar op al zijn producten.**

Deze garantie is geldig voor alle onderdelen van uw machine, waaronder de elektronische onderdelen, maar uitgezonderd de verbruiksgoederen. De garantie treedt in werking op de installatiedatum van het materiaal.

**Onder de volgende beperkende voorwaarden:**

- Het materiaal moet bij een erkende verdeler zijn aangekocht.
- De installatie moet door een erkende verdeler zijn uitgevoerd.
- Het materiaal moet worden gebruikt in overeenstemming met de aanwijzingen in de gebruikershandleiding en voor het doel waarvoor het werd geproduceerd.
- Het materiaal moet dagelijks worden onderhouden in overeenstemming met de aanwijzingen in de gebruikershandleiding.
- Ten minste één keer per jaar moet onderhoud worden uitgevoerd door de erkende verdeler en dit in overeenstemming met de onderhoudsspecificaties (onderhoud ten laste van de gebruiker).
- Alleen originele JAC-onderdelen mogen worden gebruikt.



**Als er geen onderhoud wordt uitgevoerd door een erkende verdeler en/of het onderhoudsboekje niet correct wordt ingevuld, is de garantie beperkt tot één jaar.**

**Het volgende valt niet onder deze garantie:**

- De vervanging van verbruiksgoederen (§9).
- Defecte stukken die door onze diensten niet worden erkend.
- Problemen ten gevolge van een abnormaal gebruik van het materiaal.
- Problemen doordat de installatie niet door een erkende verdeler is uitgevoerd.
- De onderdelen of problemen die het gevolg zijn van transportschade of een ongepaste behandeling.

**Een reparatie en/of een vervanging van defecte onderdelen tijdens de garantieperiode verlengt deze garantie niet.**

---

### **3 WAARSCHUWINGEN**

---

Het is heel belangrijk dat deze gebruikershandleiding bij het apparaat wordt bewaard zodat ze later kan worden geraadpleegd. Als dit apparaat wordt verkocht of aan een andere persoon wordt overgedragen, zorg er dan voor dat de gebruikershandleiding wordt overhandigd zodat de gebruiker op de hoogte is van de werking ervan en van de daarin vermelde waarschuwingen.



**Deze waarschuwingen worden gegeven voor uw veiligheid en die van anderen. We vragen u dan ook ze aandachtig te lezen voordat u het apparaat installeert en gebruikt.**

Deze machine werd ontworpen om door bevoegde volwassenen te worden gebruikt. Zorg er dus voor dat kinderen de machine niet aanraken en niet als speelgoed beschouwen.

Deze machine is uitsluitend voorbehouden voor professioneel gebruik.

Het is gevaarlijk om de eigenschappen van deze machine te wijzigen of te proberen wijzigen.

Zorg er na de installatie van deze machine voor dat ze niet op het netsnoer staat.

Volg de meegeleverde gebruiksinstructies.

Deze machine moet worden bewaard en gebruikt in een ruimte die niet vochtig of warm wordt.

Deze machine moet voldoende verlicht zijn om het werk uit te voeren.

Deze machine heeft een geluidsniveau van minder dan 75 dB(A) conform de norm EN ISO 3744.

Deze machine mag slechts door één persoon tegelijkertijd worden gebruikt (behoudens tegengestelde instructie).

Deze machine is bedoeld voor het snijden van gebakken en lauw brood.



**Deze machine is niet bedoeld voor het volgende brood en materiaal:**

- Warm brood, oud brood
- Bevroren of half ontdooid brood
- Volkorenbrood met harde korst en andere soorten brood met een harde korst
- Roggebrood
- Niet-eetbare producten zoals hout, plastic en soortgelijk materiaal
- Elk voedingsmiddel dat niet hoort tot de categorie brood of cake

**De machine kan beschadigd raken als niet toegestaan brood of materiaal wordt gesneden.**



Haal altijd de stekker uit het stopcontact vooraleer u de buiten- of binnenkant van het apparaat schoonmaakt of onderhoud uitvoert.

Dit apparaat is zwaar. Neem alle veiligheidsmaatregelen tijdens het onderhoud.

## 4 TECHNISCHE EIGENSCHAPPEN

### 4.1 Technische eigenschappen

	ECO+ 450	ECO+ 450 M	ECO+ 600	ECO+ 450 opblazer	ECO+ 450 M opblazer	ECO+ 600 opblazer
Hoogte (mm)	1337		1337	1337		1337
Breedte (mm)	604		784	1051		1231
Diepte (mm)	745		745	829		829
Lengte van het toevoerkanaal (mm)	310	300	310	310	300	310
Breedte van het toevoerkanaal (mm)	440		600	440		600
Hoogte van het toevoerkanaal (mm)	160		160	160		160
Verpakking (mm)	800 x 860 x 1600					
Nettogewicht (kg)	165		180	175		190
Nettogewicht + verpakking (kg)	185		200	195		210
Motorvermogen (kW)	0,49	1,1	1,1	0,49	1,1	1,1
Motortype	Eenfasig of driefasig	Driefasig	Eenfasig of driefasig	Eenfasig of driefasig	Driefasig	Eenfasig of driefasig
220 V - 50 Hz (A)	5	-	5	5	-	5
380 V - 50 Hz (A)	3,2	3,2	3,2	3,2	3,2	3,2
Capaciteit (broden/uur)	200<500					
Geluidsniveau (dB)	<75					

	FACE+	FACE+ M
Hoogte (mm)	1418	1418
Breedte (mm)	604	604
Diepte (mm)	654	654
Lengte van het toevoerkanaal (mm)	310	310
Breedte van het toevoerkanaal (mm)	440	440
Hoogte van het toevoerkanaal (mm)	160	160
Verpakking (mm)	800 x 860 x 1600	800 x 860 x 1600
Nettogewicht (kg)	165	165
Nettogewicht + verpakking (kg)	185	185
Motorvermogen (kW)	0,49	0,49
Motortype	Eenfasig of driefasig	Driefasig
220 V - 50 Hz (A)	5	-
380 V - 50 Hz (A)	3,2	3,2
Capaciteit (broden/uur)	200<500	200<500
Geluidsniveau (dB)	<75	<75



<b>Versterkte motor</b>	optie
<b>Zakopblazer (ECO+ 450 – ECO+600)</b>	optie
<b>Lichtsensoren</b>	optie
<b>Verhoging van 4 cm</b>	optie
<b>Drukschakelaar</b>	optie
<b>Dubbele snijbreedte (ECO+600)</b>	optie
<b>Dagteller</b>	optie
<b>Speciale kleur</b>	optie
<b>Speciale messen</b>	optie

#### 4.2 Materiaal dat rechtstreeks in contact komt met het .

**Toevoerband:** INOX 430

**Broodduwer:** INOX 430

**Broodpers:** INOX 430

**Bladen:** Staal

**Afvoerband:** INOX 430

**Broodplank:** INOX 430

---

## 5 **INSTALLATIE EN INBEDRIJFSTELLING**

---

### 5.1 De machine uit de verpakking halen:

De machines worden uit onze ateliers op pallets, verankerd en met karton beschermd geleverd. U moet eerst en vooral de verpakking bekijken en elke transportschade onmiddellijk aan de koerier melden.

- A. Verwijder het karton en de verpakkingzak van de machine.
- B. Verwijder de riemen en let daarbij met name op de terugslag wanneer ze worden doorgesneden.
- C. Maak de machine los van de pallet door de houten latten te verwijderen die de wieltjes blokkeren.
- D. Haal de machine van de pallet. Doe dit met minstens twee personen zodat de machine niet met een harde schok op de grond terechtkomt.
- E. Installeer de verstelbare aanslag van de broodplank op de broodplank (fig.15, n°29).

**Na het uitpakken van uw machine moet u nakijken of ze tijdens het transport geen schade heeft opgelopen. Meld ons elke afwijking.**

### 5.2 Plaatsing:

Voor uitstekende prestaties en betrouwbaarheid op lange termijn moet u een plaats kiezen die:

Goed verlucht is, niet blootgesteld is aan direct zonlicht en uit de buurt is van warmtebronnen, met een stevig en trillingsvrij oppervlak.

### 5.3 Elektrische aansluiting:

#### **BELANGRIJK:** Verplichte aarding.

Er wordt aangeraden om de installatie te beveiligen met een zekering en differentieelschakelaar.

Uw elektriciteitsinstallatie die stroom levert aan de machine moet als volgt worden beveiligd:

- Noord-Amerika: Beveiliging 15 A
- Rest van de wereld: Beveiliging 16 A

Machines die uitgerust zijn met een regelaar moeten worden aangesloten op een aftakdoos op een lijn die uitgerust is met een differentieelschakelaar van 300 mA.

Opmerking: Elk probleem dat te wijten is aan een andere soort aansluiting wordt niet gedekt door de garantie.

Voordat u uw machine op het net aansluit en om een storing van de motor bij het onder spanning zetten te vermijden, is het belangrijk dat u controleert of het elektriciteitsnet overeenstemt met de eigenschappen van de machine (zie het identificatieplaatje).

Dit apparaat is conform de machinerichtlijnen 2006/42, 2006/95, 2004/108 en draagt de CE-markering die hiervan getuigt.

Houd rekening met de veiligheidspictogrammen op de machine:



Pictogram dat wijst op een mogelijke stroomonderbreking. Dat is terug te vinden aan de voorkant van de machine in de zone waar het brood wordt geplaatst (fig.13, n°25).

U vindt het elektrische schema van de machine op de achterkant van de deur van de schakelkast (fig.13, n°26).



Pictogram dat wijst op gevaar voor elektrocutie. Trek de machine vóór elke interventie uit het stopcontact. Dat vindt u aan de achterkant van de machine in de buurt van het netsnoer en binnenin de machine op de schakelkast (fig.13, n°27).

### 5.4 Inbedrijfstelling:

Zorg er vóór de inbedrijfstelling voor dat er zich geen enkel storend voorwerp bevindt op de bewegende onderdelen van de machine.

Raadpleeg het hoofdstuk "Gebruik" voor informatie over het gebruik van de machine.

### 5.5 Gevaar:

Als er gevaar is voor de gebruiker of voor de machine, moet u de hoofdschakelaar gebruiken om de stroomtoevoer naar de machine te onderbreken.

Haal de stekker uit het stopcontact vooraleer u onderhoud uitvoert.

Raak het blad niet aan, ook niet als het stilstaat.

Het blad mag alleen worden vervangen door uw erkende verdeler.



Draag altijd snijbestendige veiligheidshandschoenen tijdens de vervanging van de bladen of tijdens een handeling in de buurt van de bladen.

Elk onderhoud of vervanging van een onderdeel moet door een bevoegde persoon worden uitgevoerd.

---

## 6 **BEDIENINGS- EN VEILIGHEIDSPANEEL**

---

### 6.1 **Bedieningspaneel:**

Uw snijmachine is standaard uitgerust met twee knoppen:  
Een startknop en een noodstopknop

De volgende extra knoppen kunnen hieraan worden toegevoegd:

- Drukschakelaar
- Automatische stand
- Opblazer starten (op een machine met opblazer)

### 6.2 **Werkzone:**

De werkzone bevindt zich voor de machine (fig.3, n°18).

### 6.3 **Veiligheidsvoorzieningen:**

Deze machine is uitgerust met:

**Een mechanische veiligheidsschakelaar** (fig. 10, n°23) (EPK – EPF – EPKS – EPFS – EGK – EGF)

Die bevindt zich aan de achterkant van de bovenste klep.

Deze stopt de machine wanneer de bovenste klep wordt geopend (fig.1, n°2).

**Een mechanische veiligheidsschakelaar** (fig.11, n°24)

Deze bevindt in de onderkant van de machine onder de kruimelbak

Deze verhindert dat de machine start wanneer de deur vooraan wordt geopend (fig.1, n°8).

**Fotoelektrische cellen** die de werking van de machine verhinderen wanneer de straal wordt geblokkeerd (optie) (EPL – EPM – EPLS – EPMS – EGL – EGM) (fig.8, n°21)

**Een veiligheidsstang** die de werking van de machine verhindert wanneer erop wordt gedrukt. (optie) (EPB – EPBS – EPN – EPNS)

---

## 7 **GEBRUIK**

---

Voor het gebruik moeten de met een rem uitgeruste zwenkwielen worden vastgezet (fig.1, n°13).

**Zet de machine in het begin van de dag onder spanning met de noodstop (fig.1, n°10).**

## Gebruiksprocedure

OPTIE: Kies het regeltipe met behulp van de keuzeschakelaar (fig.4):

- 1: lage snelheid
- 2: hoge snelheid
- ISC: automatisch beheer

OPTIE: Om continu te kunnen werken drukt u op de knop **AUTO (fig.4)**.

- A, A'. Plaats het brood op de plank achteraan (fig.3, n°16), tussen de bladen en het mobiele deel (fig.5, fig.6).
- B. Sluit het deksel (fig.1, n°2) (fig.5)
- B'. Druk op de groene knop (fig.1, n°11) (optie lichtsensoren of veiligheidsstang) (fig.6)
- C, C'. Neem het brood van de plank vooraan. (fig.5) (fig.6)

OPTIE: Druk op de witte knop aan de rechterkant (fig.7, n°19) om uw opblazer (fig.7, n°20) tevoorschijn te laten komen.

Druk op het einde van de dag op de rode **noodstopknop** (fig.1, n°10) om de machine uit te schakelen.

**Advies:** Laat na de eerste werkdagen de spanning van de bladen nakijken door een bevoegd persoon.

**Capaciteit:** Aantal gesneden broden per dag: 6000 (afhankelijk van het broodtype).

Afmetingen van het brood:

450: (b x l x h) (cm): min. 12 x 6 x 6 - max. 44 x 31 x 16

600: (b x l x h) (cm): min. 12 x 6 x 6 - max. 58 x 31 x 16

### Veiligheid:

Als u de veiligheidsklep opent (fig.1, n°2), verhindert dit de werking van de machine.

Als u voorbij de fotoelektrische cellen gaat (fig.8, n°21), verhindert dit de werking van de machine (machine uitgerust met deze optie).

Als een veiligheid wordt geactiveerd, wordt dit aangegeven door het knippen van de groene knop/controlelamp. Het aantal keer knippen stemt overeen met een foutcode (§11).

Als u op de veiligheidsstang drukt (fig.9, n°22), verhindert dit de werking van de machine (EPB – EPBS – EPN – EPNS).

---

## 8 ONDERHOUD

---

### 8.1 Dagelijks door een opgeleide gebruiker.

- A. Controleer of u de kruimelbak niet moet leegmaken.
- B. Maak de planken schoon (fig.1, n°5) (fig.3, n°16) met een borstel.
- C. Gebruik een droge doek om de binnenkant schoon te maken.
- D. Gebruik een vochtige doek om de buitenkant schoon te maken.

### 8.2 Om de 25.000 snij-acties en/of minimaal één keer per jaar door een erkende verdeler.

- A. Haal de stekker uit het stopcontact. (fig.2, n°15)
- B. Controleer de staat van de snijbladen (fig.1 n°4).
- C. Als de snijkwaliteit daalt, vervang dan de snijbladen (JAC-referentie: 610001, 610011, 610019 in de catalogus met reserveonderdelen van JAC)



- D. Als ze moeten worden vervangen, vervang de bladen dan conform de vervangingsprocedure voor snijbladen (fig.12).
- E. NB: Span de bladen niet overmatig, dit kan de kaders vervormen.
- F. Borstel en stofzuig de binnenkant van de machine.
- G. Controleer de staat van de lagers en smeer ze.
- H. Smeer de vijzelgewrichten.

Controleer goed of uw erkende verdeler zijn interventie in uw onderhoudsboekje heeft genoteerd zodat u uw garantie van vijf jaar behoudt.

### Onderhoud voor de modellen met smering

**De te gebruiken olie is: 7940019 (zoals vermeld in de JAC-catalogus "reserveonderdelen")  
Of een vloeibare plantaardige consumptieolie met natuurlijke antioxidant**

**Om de 1000 snij-acties of elke twee weken**, door een opgeleide gebruiker:

Voeg de dosis consumptieolie (100 tot 150 ml) die nodig is om de vilten van het broodduwer te drenken (druk op de knop om het wagentje vooruit te laten gaan zodat u toegang hebt tot de knop om olie toe te voegen).

**Om de 25.000 snij-acties en/of minimaal één keer per jaar** door een erkende verdeler:

Haal de stekker uit het stopcontact.  
Vervang de vilten van de broodduwer.

### 8.3 Vervanging van de bladen

(fig.12).

Draag altijd snijbestendige veiligheidshandschoenen (norm EN 388: 2003 index B= 5) en veiligheidsschoenen tijdens de vervanging van de bladen of tijdens een handeling in de buurt van de bladen.

Nadat u er zeker van bent dat de stekker van uw machine (fig.2, n°15) uit het stopcontact is gehaald.

- A. Neem de verpakingsplank weg.
- B. Schroef de plank vooraan los op de zijkanten van de machine.
- C. Neem de plank vooraan weg.
- D. Schroef de kap los.
- E. Open de kap die de kaders ter ondersteuning van de bladen beschermt. Draai op het bovenste deel van het kader vooraan de schroeven **A** los die het kader aan de polypropyleen lamellen bevestigen (demonteer nooit de lamellen van het geraamte, u loopt het risico de fabrieksinstellingen te wijzigen).
- F. Haal het kader naar voren. Vervang de bladen van het kader achteraan (plaats iets om u te beschermen tegen de bladen van het kader vooraan). Draai de contra moeren van de schroeven **B** los (Misch-machines). Draai de contra moeren los die op de schroeven B zijn vastgemaakt (EPF – EPFS – EPM – EPN). Draai de schroeven **B** met holle binnenzeskant los die de bladen spannen. Vervang de bladen en ga daarbij na of ze goed worden geplaatst in de stift van de persen. Span de bladen opnieuw aan door de schroeven **B** vast te draaien, waarbij de bladen op het kader blijven als merkteken voor de spanning. Draai vervolgens de moeren vast (machine uitgerust met smeringoptie).

**Om het kader niet te vervormen en geen risico op gevaarlijke breuken te lopen, mag u slechts 1 tot 3 bladen tegelijkertijd vervangen en moet u links en rechts afwisselen.**

Herbegin de procedure vanaf punt 6 voor het kader vooraan en plaats het kader vooraan evenals de afwerkingselementen terug op hun plaats.

Steek de stekker van de machine in het stopcontact. De machine is klaar.

Controleer goed of uw erkende verdeler zijn interventie in uw onderhoudsboekje heeft genoteerd zodat u uw garantie van vijf jaar behoudt.

---

## 9 VERBRUIKSGOEDEREN

---

Ga bij de bestelling van een reserveonderdeel met uw verdeler na om welk stuk het gaat op basis van de reserveonderdelencatalogus van de fabrikant.

Geef altijd het machinenummer op zoals vermeld op het identificatieplaatje.

Uw verdeler voert de bestellingen uit bij JAC.

### 9.1 Lijst met VERBRUIKSGOEDEREN

ARTIKELCODE	OMSCHRIJVING	MODEL
7240032	RIEM	ALLE
5690012	SCHUIFGLIDDERS 140 MM	ALLE
5690020	KADERLAMELLEN	ALLE
6110001	JAC-MES 13 MM/0,5 MM	ECO+ 450, ECO+ 450 OPBLAZER, FACE+ 450
6110011	JAC-MES 13 MM/0,5 MM + TEFLON	ECO+ 450M, ECO+ 450M OPBLAZER, FACE+ 450M
6110019	MES JAC 13 MM/0,7 MM	ECO+ 600, ECO+ 600M, ECO+ 600 BLAZER
5310026	VEER BROODPERS PLASTIC RING	ECO+ 450, ECO+ 450 OPBLAZER, ECO+ 600, ECO+ 600 OPBLAZER, FACE+ 450
5310030	VEER BROODDUWER INOX RING	ECO+ 450M, ECO+ 450M OPBLAZER, ECO+600M, FACE+ 450M
5315013	GASVEER 40 N	ALLE
5690151	GLIJDER BROODPERS	ALLE
5630012	RUBBEREN AANSLAG Ø 6 MM	ALLE
5690102	JAC-FLAPS	ALLE
6120002	VILTBROODDUWER	ECO+ 450M, ECO+ 450M OPBLAZER, FACE+ 450M
4-04846	VILTBROODDUWER	ECO+ 600M

Probleem	Controle
<b>De machine werkt niet</b>	Sluit de machine met een kabel op het stopcontact aan (fig.2, n°15).
	Ontgrendel de noodstop (fig.1, n°10)
	Sluit de klep. Neem contact op met uw erkende verdeler als het groene controlelampje knippert.
	Sluit de deur vooraan.
<b>De machine werkt maar het brood wordt beschadigd of onregelmatig gesneden</b>	Controleer of de bladen niet moeten worden vervangen (fig.12).
	Laat het brood enkele uren afkoelen.
	Plaats brood met toegelaten afmetingen.
	Plaats een redelijk stevig brood. Als de bladen niet goed zijn uitgelijnd, stel dan de bladen en kaders af.
<b>Het brood trilt in de bladen</b>	Als de bladen niet goed zijn uitgelijnd, stel dan de bladen en kaders af.
<b>Het brood wordt te traag gesneden</b>	Controleer of de bladen niet moeten worden vervangen (fig.12).
	Kies een andere drukafstelling op uw drukregelaar (ISC).
	Controleer of de veren van de broodpers goed op hun plaats zitten (fig.14, n°28).
<b>Het brood wordt stukgescheurd</b>	Als de bladen niet goed zijn uitgelijnd, stel dan de bladen en kaders af.
	Controleer of de veren van de broodpers goed op hun plaats zitten (fig.14, n°28).
	Controleer of de bladen niet moeten worden vervangen (fig.12).
	Neem contact op met uw erkende verdeler als het groene controlelampje knippert.
<b>Het brood komt traag naar buiten of blijft in de bladen</b>	Controleer of de veren van de broodpers goed op hun plaats zitten (fig.14, n°28).
<b>Het brood wordt bij het verlaten van de bladen verpletterd</b>	Neem een veer van de broodpers weg en herbegint uw test (fig.14, n°28).

**OPGELET:** Bij elke tussenkomst moet de machine verplicht worden uitgeschakeld.



Als het probleem zich blijft voordoen, neem dan contact op met uw technicus.

## 11 FOUTCODES

Knipperen of code op het scherm weergegeven	Beschrijving van het probleem	Actie
2	Veiligheid SECU1 open tijdens de cyclus.	Start de machine opnieuw op met behulp van de noodstop (fig.1, n°10). Als het probleem zich blijft voordoen, neem dan contact op met uw technicus.
3	Stroom bij de vijzel (M2) bedraagt meer dan 6A gedurende 1 seconde, tijdens de voortgang/het snijden.	
4	Thermische beveiliging van de snijmotor (F3) ingeschakeld.	
5	Geen beweging van de vijzel (M2) ondanks maximale spanning	
6	Broodduwer niet in beginpositie. Eindschakelaar S1 niet ingeschakeld.	
7	Cyclustijd van de voortgang/het snijden langer dan 60 seconden.	
8	Cyclustijd voor achteruit langer dan 30 seconden.	
9	Eindschakelaar van positie achteraan (S1) en vooraan (S2) tegelijkertijd ingeschakeld.	
10	Stroom bij de vijzel (M2) bedraagt meer dan 5 A gedurende 1 seconde, tijdens het achteruitgaan van het wagentje.	
11	Veiligheidsklep vooraan (S3) open gedurende een cyclus.	



Als het probleem zich blijft voordoen, neem dan contact op met uw technicus.

---

**12 LIJST MET ONDERDELEN OP DE AFBEELDINGEN**

---

<b>Afbeelding</b>	<b>Nummer</b>	<b>Naam</b>
1	1	Magneet van de klep bovenaan
	2	Klep bovenaan
	3	Kap
	4	Bladen
	5	Plank vooraan
	6	Resetknop voor olieteller
	7	Kruimelbak
	8	Deur vooraan
	9	Broodplank
	10	Noodstopknop
	11	Groene controlelamp of verlichte knop
	12	Teller
	13	Wieltje met rem
2	14	Plaat achteraan
	15	Netsnoer
3	16	Plank achteraan
	17	Magnetische grendel
	18	Werkzone
7	19	Zakopblazer
	20	Bedieningsknop van de opblazer
8	21	Veiligheidscel
9	22	Veiligheidsstang
10	23	Mechanische noodschakelaar
11	24	Mechanische noodschakelaar
13	25	Plaatje "gevaar voor stroomonderbreking"
	26	Elektrisch schema
	27	Plaatje "gevaar voor elektrocutie"
14	28	Veer van de afneembare broodpers
15	29	Verstelbare aanslag van de broodplank



1	ПЕРЕД ВВОДОМ В ЭКСПЛУАТАЦИЮ .....	62
2	ГАРАНТИЯ.....	62
3	ПРЕДУПРЕЖДЕНИЯ.....	63
4	ТЕХНИЧЕСКИЕ ХАРАКТЕРИСТИКИ .....	64
4.1	Технические характеристики .....	64
4.2	Подробности о материалах, находящихся в непосредственном контакте с хлебом .....	65
5	УСТАНОВКА И ВВОД В ЭКСПЛУАТАЦИЮ .....	65
5.1	Распаковка машины .....	65
5.2	Место установки .....	66
5.3	Электрическое подключение.....	66
5.4	Ввод в эксплуатацию.....	67
5.5	Опасность .....	67
6	ОРГАНЫ УПРАВЛЕНИЯ И ПРЕДОХРАНИТЕЛЬНЫЕ УСТРОЙСТВА .....	67
6.1	Органы управления.....	67
6.2	Рабочая зона.....	67
6.3	Предохранительные устройства .....	67
7	ЭКСПЛУАТАЦИЯ .....	68
8	ТЕХНИЧЕСКОЕ ОБСЛУЖИВАНИЕ.....	69
8.1	Ежедневное, выполняется пользователем, прошедшим подготовку.....	69
8.2	Через каждые 25 000 нарезок и (или) не реже 1 раза в год; выполняется аккредитованным специалистом. ....	69
8.3	Замена лезвий .....	70
9	РАСХОДНЫЕ МАТЕРИАЛЫ.....	71
9.1	Список РАСХОДНЫХ МАТЕРИАЛОВ .....	71
10	НЕПОЛАДКИ В РАБОТЕ .....	72
11	КОДЫ ОШИБОК .....	73
12	СПИСОК КОМПЛЕКТУЮЩИХ НА ИЗОБРАЖЕНИЯХ.....	74

## 1 ПЕРЕД ВВОДОМ В ЭКСПЛУАТАЦИЮ

Благодарим за то, что выбрали компанию JAC. Перед установкой машины и ее вводом в эксплуатацию обязательно прочтите настоящее руководство. Таким образом вы сможете защитить себя и избежать повреждений машины.

В настоящем руководстве содержатся ссылки на различные изображения, облегчающие понимание инструкций. Эти изображения находятся в конце руководства. Обращайтесь к ним, когда встретите в тексте обозначения следующего вида: (fig.X, n°Y).

**Для обеспечения бесперебойной работы машины в будущем предлагаем ознакомиться с представленными ниже правилами.**

— Для установки машины, ее ввода в эксплуатацию и контроля работы обращайтесь к аккредитованному специалисту.

— Чтобы на машину подействовала 5-летняя гарантия (см. необходимые условия далее), дистрибьютор должен заполнить журнал технического обслуживания при установке машины. Журнал технического обслуживания находится с тыльной части машины.

## 2 ГАРАНТИЯ



**Компания JAC предоставляет 5-летнюю гарантию на всю свою продукцию.**

Гарантия распространяется на все детали машины, в том числе электронные, кроме расходных материалов. Гарантия вступает в силу с даты установки оборудования.

**Гарантия действует при соблюдении следующих ограничительных условий:**

- Приобретение оборудования у аккредитованного дистрибьютора.
- Выполнение установки аккредитованным специалистом.
- Использование оборудования в соответствии с указаниями в руководстве по эксплуатации и по назначению, предусмотренному при производстве.
- Ежедневное обслуживание оборудования в соответствии с указаниями в руководстве по эксплуатации.
- Выполнение технического обслуживания аккредитованным специалистом в соответствии с требованиями по техническому обслуживанию не реже одного раза в год (производится за счет пользователя).
- Использование исключительно оригинальных деталей компании JAC.



**При отсутствии контроля технического обслуживания со стороны аккредитованного специалиста и (или) в случае неправильного ведения журнала технического обслуживания действие гарантии ограничивается одним годом.**

**Гарантия не распространяется:**

- На замену расходных материалов (§9).
- На детали, признанные неисправными не нашей компанией.
- На проблемы, возникшие вследствие неправильной эксплуатации оборудования.

— На проблемы, возникшие вследствие установки машины не аккредитованным специалистом.

— На детали или проблемы, связанные с нанесением ущерба во время транспортировки или ненадлежащим обращением при погрузочно-разгрузочных работах.

**Ремонт и (или) замена неисправных деталей, выполненные в течение гарантийного периода, не могут послужить причиной продления данной гарантии.**

---

### 3 ПРЕДУПРЕЖДЕНИЯ

---

Настоящее руководство следует сохранить для получения справочной информации при дальнейшей эксплуатации машины. В случае продажи или передачи машины другому лицу следует удостовериться, что руководство по эксплуатации передается вместе с ней, чтобы пользователь мог получить информацию о ее работе и связанных с ней предупреждениях.



**Предупреждения изложены для обеспечения вашей безопасности и безопасности других лиц. Просим вас внимательно прочесть эти предупреждения перед установкой и эксплуатацией машины.**

Машина разработана для использования совершеннолетними лицами с соответствующим разрешением. Поэтому нужно следить за тем, чтобы дети не прикасались к машине и не использовали ее в качестве игрушки.

Машина предназначена исключительно для использования в рабочих целях.

Опасно вносить изменения в характеристики машины или предпринимать соответствующие попытки.

После установки машины убедитесь в том, что она не стоит на кабеле электроснабжения.

Соблюдайте данные инструкции по эксплуатации.

Машина должна храниться и использоваться в помещении, защищенном от сырости и жары.

Машина должна быть достаточно освещена для выполнения работы.

Уровень шума машины ниже 75 дБ(А) согласно стандарту EN ISO 3744.

Машина не должна использоваться несколькими операторами параллельно (если не предписано иное).

Данная машина предназначена для нарезки печеного и выдержанного хлеба.



**Данная машина не предназначена для следующих материалов и видов хлеба:**

- Горячий хлеб, черствый хлеб.
- Замороженный или частично размороженный хлеб.
- Цельнозерновой хлеб с твердой коркой и другие виды хлеба с твердой коркой.
- Ржаной хлеб.

- Несъедобные изделия из древесины, пластмассы и аналогичных материалов.
- Любые продукты питания, не входящие в категорию хлебных или кексовых изделий.

**Нарезка перечисленных видов хлеба или материалов может привести к повреждению машины.**



**Всегда отключайте машину от сети электропитания перед выполнением чистки внутренних/внешних поверхностей и операций по техническому обслуживанию.**

Машина тяжелая. Принимайте все необходимые меры предосторожности при транспортировке и погрузочно-разгрузочных работах.

## **4 ТЕХНИЧЕСКИЕ ХАРАКТЕРИСТИКИ**

### **4.1 Технические характеристики**

	ЕСО+ 450	ЕСО+ 450 М	ЕСО+ 600	ЕСО+ 450 с воздуховод кой	ЕСО+ 450 М с воздуховод кой	ЕСО+ 600 с воздуховод кой
<b>Высота (мм)</b>	1337		1337	1337		1337
<b>Ширина (мм)</b>	604		784	1051		1231
<b>Глубина (мм)</b>	745		745	829		829
<b>Длина входного канала (мм)</b>	310	300	310	310	300	310
<b>Ширина входного канала (мм)</b>	440		600	440		600
<b>Высота входного канала (мм)</b>	160		160	160		160
<b>Упаковка (мм)</b>	800 x 860 x 1600					
<b>Масса нетто (кг)</b>	165		180	175		190
<b>Масса нетто + упаковка (кг)</b>	185		200	195		210
<b>Мощность мотора (кВт)</b>	0,49	1,1	1,1	0,49	1,1	1,1
<b>Тип мотора</b>	Однофазный или трехфазный	Трехфазный	Однофазный или трехфазный	Однофазны й или трехфазный	Трехфазный	Однофазны й или трехфазный
<b>220 В, 50 Гц (А)</b>	5	-	5	5	-	5
<b>380 В, 50 Гц (А)</b>	3,2	3,2	3,2	3,2	3,2	3,2
<b>Производительность (буханок/час)</b>	200 < 500					
<b>Уровень шума (дБ)</b>	< 75					

	FACE+	FACE+ М
<b>Высота (мм)</b>	1418	1418
<b>Ширина (мм)</b>	604	604
<b>Глубина (мм)</b>	654	654
<b>Длина входного канала (мм)</b>	310	310

Ширина входного канала (мм)	440	440
Высота входного канала (мм)	160	160
Упаковка (мм)	800 x 860 x 1600	800 x 860 x 1600
Масса нетто (кг)	165	165
Масса нетто + упаковка (кг)	185	185
Мощность мотора (кВт)	0,49	0,49
Тип мотора	Однофазный или трехфазный	Трехфазный
220 В, 50 Гц (А)	5	-
380 В, 50 Гц (А)	3,2	3,2
Производительность (буханок/час)	200 < 500	200 < 500
Уровень шума (дБ)	< 75	< 75

Усиленный мотор	опция
Воздуходувка для упаковки в пакеты (ЕСО+450 — ЕСО+600)	опция
Световое защитное ограждение	опция
Подъем на 4 см	опция
Переключатель давления	опция
Двойная толщина ломтя (ЕСО+600)	опция
Счетчик ежедневной наработки	опция
Специальный цвет	опция
Специальные ножи	опция

#### 4.2 Подробности о материалах, находящихся в непосредственном контакте с хлебом.

**Входная полка:** НЕРЖ. 430

**Толкатель для буханок:** НЕРЖ. 430

**Пресс для буханок:** НЕРЖ. 430

**Лезвия:** сталь

**Выходная полка:** НЕРЖ. 430

**Устройство для упаковки в пакеты:** НЕРЖ. 430

## 5 УСТАНОВКА И ВВОД В ЭКСПЛУАТАЦИЮ

### 5.1 Распаковка машины

Машины из наших цехов поставляются на поддонах, закрепленные ремнями и в защитной картонной коробке. Прежде всего следует осмотреть упаковку на предмет наличия повреждений, полученных во время транспортировки, и сообщить о них непосредственно экспедитору.

А. Удалите картонную коробку и упаковочный пакет машины.

В. Снимите ремни, обратив особое внимание на их ослабление при разрезании.

- C. Открепите машину от поддона, сняв деревянные рейки, фиксирующие колесики.
- D. Снимите машину с поддона. В этой операции должны участвовать не менее двух человек для обеспечения максимально плавного соприкосновения машины с полом.
- E. Установите на место регулируемый упор устройства для упаковки в пакеты (fig.15, п°29).

**После распаковки машины убедитесь, что она не подвергалась повреждениям во время транспортировки. Сообщайте нам о любых дефектах.**

## 5.2 Место установки

Для обеспечения долгосрочной высокой производительности и надежности машины следует правильно выбрать место установки.

Оно должно быть хорошо проветриваемым, защищенным от воздействия прямых солнечных лучей, удаленным от источников тепла, с прочной поверхностью, не подвергающейся вибрации.

## 5.3 Электрическое подключение

**ВАЖНО!** Обязательно наличие заземления.

Рекомендуется защитить электрическую установку с помощью плавкого предохранителя и дифференциального автоматического выключателя.

Электрическая установка, обеспечивающая питание машины, должна быть защищена следующим образом:

- Северная Америка: защита 15 А.
- Остальные страны: защита 16 А.

Машины, оборудованные регулятором скорости, обязательно должны подключаться к разветвительной коробке на линии с дифференциальным автоматом 300 мА.

Примечание. Любые проблемы, возникшие в связи с иным видом подключения, не будут покрываться гарантией.

Перед подключением машины к электросети и во избежание выхода мотора из строя в момент подключения следует убедиться в соответствии электросети характеристикам машины (см. заводской щиток).

Машина соответствует директивам о безопасности машин и оборудования 2006/42, 2006/95, 2004/108 и имеет подтверждающую маркировку ЕС.

Ознакомьтесь с пиктограммами техники безопасности, имеющимися на машине.



Пиктограмма, предупреждающая об опасности пореза. Она находится в передней части машины, рядом с зоной выгрузки хлеба. (fig.13, п°25)

Электросхема машины находится на обратной стороне дверцы отсека электрощитка. (fig.13, п°26)



Пиктограмма, предупреждающая об опасности поражения электрическим током. Отключайте машину перед выполнением любых работ. Пиктограмма находится сзади машины, рядом с кабелем питания и внутри машины на отсеке электрощитка. (fig. 13, n°27)

#### **5.4 Ввод в эксплуатацию**

Перед вводом в эксплуатацию убедитесь в отсутствии любых посторонних предметов на подвижных частях машины.

Для получения ответов на все вопросы, касающиеся эксплуатации машины, см. раздел «Эксплуатация».

#### **5.5 Опасность**

В случае возникновения опасности для пользователя или для машины следует отключить электропитание с помощью главного выключателя.

Извлеките штекер из электрической розетки перед выполнением любых операций по техническому или периодическому обслуживанию.

Не прикасайтесь к лезвию, даже если машина выключена.

Для замены лезвия обратитесь к аккредитованному дистрибьютору.

Обязательно надевайте защитные перчатки, предохраняющие от порезов, при выполнении операций в непосредственной близости от лезвия или при замене лезвий.

Все операции по техническому обслуживанию или замене деталей должны осуществляться квалифицированным сотрудником.

---

## **6 ОРГАНЫ УПРАВЛЕНИЯ И ПРЕДОХРАНИТЕЛЬНЫЕ УСТРОЙСТВА**

---

### **6.1 Органы управления**

Хлебрезка серийно оборудована двумя кнопками: кнопкой «Пуск» и кнопкой аварийного останова.

Также машина может быть оборудована дополнительными кнопками в виде опций:

- Переключателем давления.
- кнопкой автоматического режима;
- кнопкой включения воздухоудувки (если машина оборудована воздухоудувкой).

### **6.2 Рабочая зона**

Рабочая зона находится перед машиной (fig.3, n°18).

### **6.3 Предохранительные устройства**

Оборудование на данной машине:

**Механический аварийный выключатель** (fig. 10, n°23) (EPK — EPF — EPKS — EPFS — EGK — EGF).

Находится сзади от верхней крышки.  
Останавливает машину при открытии верхней крышки (fig.1, н°2).

**Механический аварийный выключатель** (fig.11, н°24).

Находится в нижней части машины, под баком для крошек.  
Препятствует включению машины при открытии передней дверцы (fig.1, н°8).

**Фотоэлементы**, препятствующие работе машины при прерывании луча (опция) (EPL — EPM — EPLS — EPMS — EGL — EGM) (fig.8, н°21).

**Предохранительная поперечина**, препятствующая работе машины при нажатии сверху.  
(опция) (EPB — EPBS — EPN — EPNS)

---

## 7 ЭКСПЛУАТАЦИЯ

---

Перед началом эксплуатации колесики, оснащенные тормозом, должны быть заблокированы (fig.1 н°13).

**В начале рабочего дня машину следует включить с помощью кнопки аварийного останова.**  
(fig.1, н°10).

### Порядок эксплуатации

ОПЦИЯ. Выбор типа регулировки с помощью переключателя (fig.4):

- 1: медленная скорость
- 2: быстрая скорость
- ISC: автоматическое управление

ОПЦИЯ. Для непрерывной работы нажмите **на кнопку «АВТО»** (fig.4).

A, A'. Поместите буханку на заднюю полку (fig.3, н°16) между лезвиями и подвижной частью (fig.5, fig.6).

B. Закройте крышку (fig.1, н°2) (fig.5).

B'. Нажмите на зеленую кнопку (fig.1, н°11) (опция светового защитного ограждения или предохранительной поперечины) (fig.6).

C, C'. Заберите нарезанный хлеб с передней полки (fig.5) (fig.6).

ОПЦИЯ. Для включения воздуходувки (fig.7, н°19) нажмите на белую кнопку, расположенную с правой стороны (fig.7, н°20).

В конце рабочего дня нажмите на красную кнопку **аварийного останова** (fig.1, н°10), чтобы отключить электропитание машины.

**Рекомендация.** После первых дней эксплуатации поручите квалифицированному специалисту проверить натяжение лезвий.

**Производительность.** Количество буханок, нарезаемых в день: 6.000 (в зависимости от типа хлеба).

Размеры буханки:

450: (Д x Ш x В) (см): мин. 12 x 6 x 6, макс. 44 x 31 x 16.



600: (Д х Ш х В) (см): мин. 12 х 6 х 6, макс. 58 х 31 х 16.

### **Безопасность.**

Открытие защитной крышки (fig.1, н°2) препятствует работе машины.

Движение перед фотоэлементами (fig.8, н°21) препятствует работе машины (на машинах, оборудованных данной опцией).

О включении системы безопасности сообщает мигающий зеленый индикатор или мигающая зеленая кнопка. Количество проблесков соответствует коду ошибки (§11).

Нажатие на предохранительную поперечину (fig.9, н°22) препятствует работе машины (EPB — EPBS — EPN — EPNS).

---

## **8 ТЕХНИЧЕСКОЕ ОБСЛУЖИВАНИЕ**

---

### **8.1 Ежедневное, выполняется пользователем, прошедшим подготовку.**

- A. Проверьте заполненность бака для крошек.
- B. Очистите полки (fig.1, н°5) (fig.3, н°16) с помощью щетки.
- C. Протрите сухой салфеткой внутренние поверхности.
- D. Протрите влажной салфеткой внешние поверхности.

### **8.2 Через каждые 25 000 нарезок и (или) не реже 1 раза в год; выполняется аккредитованным специалистом.**

- A. Извлеките штекер из розетки (fig.2, н°15).
- B. Проверьте состояние режущих лезвий (fig.1, н°4).
- C. При констатации снижения качества нарезки закажите замену режущих лезвий (артикул JAC: 610001, 610011, 610019 в каталоге запасных частей компании JAC).
- D. Если ножи подлежат замене, эта операция должна быть выполнена в соответствии с процедурой замены режущих лезвий (fig.12).
- E. **ОБРАТИТЕ ВНИМАНИЕ!** Натяжка лезвий не должна быть избыточной, это может привести к деформации рамок.
- F. Очистите внутренние поверхности машины с помощью щетки и пылесоса.
- G. Проверьте состояние подшипников, смазку подшипников.
- H. Смажьте шарнирные соединения установочного домкрата.

Проверьте внесение аккредитованным специалистом записей о выполненной работе в журнал технического обслуживания для сохранения 5-летней гарантии.

### **Дополнительные операции по техническому обслуживанию для моделей с системой смазки**

**Масло, рекомендуемое для использования: 7940019 (как указано в каталоге компании JAC в разделе «Запасные части»)**

**или жидкое пищевое растительное масло с натуральным антиоксидантом**

**Через каждые 1000 нарезок или раз в 15 дней; выполняется пользователем, прошедшим подготовку:**

Добавить нужное количество пищевого масла (100-150 мл) для пропитки войлока толкателя для буханок (включить кнопку перемещения каретки для получения доступа к пробке отверстия подачи масла).

**Через каждые 25 000 нарезок и (или) не реже 1 раза в год; выполняется аккредитованным специалистом.**

Извлеките штекер из розетки.

Заменить войлок толкателя для буханок.

### **8.3 Замена лезвий**

(fig.12)

Обязательно надевайте защитные перчатки, предохраняющие от порезов (стандарт EN 388: 2003, индекс В = 5), и защитную обувь во время выполнения замены лезвий или операций в непосредственной близости от лезвий.

Убедитесь, что штекер машины (fig.2, н°15) отсоединен от электросети.

- A. Снимите полку для упаковки.
- B. Открутите винты передней полки по бокам машины.
- C. Снимите переднюю полку.
- D. Открутите винты кожуха.
- E. Откройте кожух, защищающий рамки суппорта лезвий. В верхней части передней рамки ослабьте винты **A**, удерживающие рамку на полипропиленовых пластинках (запрещено снимать пластинки с каркаса из-за риска нарушения заводских настроек).
- F. Уложите рамку вперед. Замените лезвия задней рамки (накройте чем-нибудь лезвия передней рамки, чтобы не порезаться). Ослабьте контргайки винтов **B** (на машинах Misch). Ослабьте контргайки, навинченные на винты B (EPF — EPFS — EPM — EPN). Ослабьте винты **B** с 6-гранным углублением под торцевой ключ, обеспечивающие натяжение лезвий. Замените лезвия, следя за тем, чтобы они правильно расположились в выступах противовесов. Восстановите натяжение лезвий, затянув винты **B**, используя в качестве ориентира ножи, оставшиеся на рамке. После этого зажмите гайки (на машинах, оборудованных опцией смазывания).

**Во избежание деформации рамки и опасных поломок одновременно следует заменять не более 1–3 лезвий, чередуя левую и правую стороны.**

Выполните ту же процедуру, начиная с пункта б, для передней рамки и установите ее на место вместе с другими элементами корпуса машины.

Подключите машину к электросети. Машина готова к работе.

Проверьте внесение аккредитованным специалистом записи о выполненной работе в журнал технического обслуживания для сохранения 5-летней гарантии.

## 9 РАСХОДНЫЕ МАТЕРИАЛЫ

При заказе запасной части проверьте вместе с аккредитованным специалистом, о какой детали идет речь, по каталогу запасных частей, выпускаемому производителем. Всегда уточняйте номер машины, указанный на заводском щитке. Заказ в компании JAC может разместить ваш аккредитованный специалист.

### 9.1 Список РАСХОДНЫХ МАТЕРИАЛОВ

ITEM CODE	DESCRIPTION	MODEL
7240032	BELT	ALL
5690012	SLIDE PAD, 140 MM	ALL
5690020	FRAME STRIP	ALL
6110001	JAC KNIFE, 13 MM/0.5 MM	ECO+ 450, ECO+ 450 BLOWER, FACE+ 450
6110011	JAC KNIFE, 13 MM/0.5 MM + TEFLON	ECO+ 450M, ECO+ 450M BLOWER, FACE+ 450M
6110019	JAC KNIFE, 13 MM/0.7 MM	ECO+ 600 ECO+ 600M, ECO+ 600 BLOWER
5310026	LOAF HOLDER SPRING PLASTIC RING	ECO+ 450, ECO+ 450 BLOWER, ECO+ 600, ECO+ 600 BLOWER, FACE+ 450
5310030	LOAF HOLDER SPRING STAINLESS STEEL RING	ECO+ 450M, ECO+ 450M BLOWER, ECO+600M, FACE+ 450M
5315013	GAS SPRING, 40 N	ALL
5690151	LOAF HOLDER PAD	ALL
5630012	RUBBER STOP, Ø 6 MM	ALL
5690102	JAC FLAP	ALL
6120002	LOAF PUSHER FELT PAD	ECO+ 450M, ECO+ 450M BLOWER, FACE+ 450M
4-04846	LOAF PUSHER FELT PAD	ECO+ 600M

Проблема	Проверка
<b>Машина не работает</b>	Подключить машину с помощью кабеля (fig.2, n°15).
	Разблокировать аварийный останов (fig.1, n°10).
	Закрыть крышку. Если мигает зеленый индикатор, обратиться к аккредитованному специалисту.
	Закрыть переднюю дверцу.
<b>Машина работает, но буханки разрушаются или нарезаются неровно.</b>	Проверить, не нужно ли заменить лезвия (fig.12).
	Дать хлебу остыть несколько часов.
	Загрузить буханку подходящих размеров.
	Загрузить достаточно твердую буханку. Если лезвия сместились, отрегулировать лезвия и рамки.
<b>Буханка вибрирует между лезвиями.</b>	Если лезвия сместились, отрегулировать лезвия и рамки.
<b>Хлеб нарезается слишком медленно.</b>	Проверить, не нужно ли заменить лезвия (fig.12). Выбрать другую регулировку давления с помощью переключателя давления (ISC).
	Убедиться в правильном положении пружин пресса для буханок (fig.14, n°28).
<b>Буханка разрывается.</b>	Если лезвия сместились, отрегулировать лезвия и рамки.
	Убедиться в правильном положении пружин пресса для буханок (fig.14, n°28).
	Проверить, не нужно ли заменить лезвия (fig.12). Если мигает зеленый индикатор, обратиться к аккредитованному специалисту.
<b>Буханка выходит слишком медленно или остается между лезвиями.</b>	Убедиться в правильном положении пружин пресса для буханок (fig.14, n°28).
<b>Буханка выходит из лезвий раздавленной.</b>	Извлечь пружину пресса для буханок и повторить проверку (fig.14, n°28).

**ВНИМАНИЕ!** Перед выполнением любых ремонтных работ машина должна быть отключена от электроснабжения.



Если проблема не устраняется, обратитесь к вашему техническому специалисту.

## 11 КОДЫ ОШИБОК

Мигание или отображение кода на экране	Описание проблемы	Действие
2	Предохранительное устройство SECU1 открыто во время выполнения цикла.	Перезапустите машину с помощью кнопки аварийного останова (fig.1, n°10). Если проблема не устраняется, обратитесь к вашему техническому специалисту.
3	Сила тока в цилиндре (M2) превышает 6 А в течение 1 секунды при подаче/нарезке.	
4	Сработала термозащита мотора нарезки (F3).	
5	Цилиндр не движется (M2), несмотря на максимальное напряжение.	
6	Толкатель буханок в начальном положении. Нет срабатывания ограничителя хода S1.	
7	Время цикла подачи/нарезки превышает 60 секунд.	
8	Время цикла отвода превышает 30 секунд.	
9	Одновременное срабатывание ограничителя хода в заднем (S1) и переднем (S2) положениях.	
10	Сила тока в цилиндре (M2) превышает 5 А в течение 1 секунды при отводе каретки.	
11	Передняя защитная крышка (S3) открыта во время выполнения цикла.	



Если проблема не устраняется, обратитесь к вашему техническому специалисту.

**12 СПИСОК КОМПЛЕКТУЮЩИХ НА ИЗОБРАЖЕНИЯХ**

<b>Изображение</b>	<b>Номер</b>	<b>Название</b>
1	1	Магнит верхней крышки
	2	Верхняя крышка
	3	Кожух
	4	Лезвия
	5	Передняя полка
	6	Кнопка сброса счетчика масла
	7	Бак для крошек
	8	Передняя дверца
	9	Устройство для упаковки в пакеты
	10	Кнопка аварийного останова
	11	Индикатор или зеленая световая кнопка
	12	Счетчик
	13	Заблокированное колесико
2	14	Задняя пластина
	15	Кабель питания
3	16	Задняя полка
	17	Магнитный замок
	18	Рабочая зона
7	19	Воздуходувка для открывания пакетов
	20	Кнопка управления воздуходувкой
8	21	Предохранительный фотоэлемент
9	22	Предохранительная поперечина
10	23	Механический аварийный выключатель
11	24	Механический аварийный выключатель
13	25	Пиктограмма «Опасность пореза»
	26	Электросхема
	27	Пиктограмма «Опасность поражения электрическим током»
14	28	Съемная пружина пресса для буханок
15	29	Регулируемый упор устройства для упаковки в пакеты

<b>1</b>	<b>ANTES DE LA PUESTA EN SERVICIO.....</b>	<b>76</b>
<b>2</b>	<b>GARANTÍA .....</b>	<b>76</b>
<b>3</b>	<b>ADVERTENCIAS.....</b>	<b>77</b>
<b>4</b>	<b>CARACTERÍSTICAS TÉCNICAS.....</b>	<b>78</b>
4.1	Características técnicas.....	78
4.2	Detalle de materiales en contacto directo con el pan.....	79
<b>5</b>	<b>INSTALACIÓN Y PUESTA EN SERVICIO.....</b>	<b>79</b>
5.1	Desembalaje de la máquina:.....	79
5.2	Ubicación: .....	79
5.3	Conexión eléctrica:.....	80
5.4	Puesta en servicio:.....	80
5.5	Peligro: .....	80
<b>6</b>	<b>CUADRO DE CONTROL Y DE SEGURIDAD.....</b>	<b>81</b>
6.1	Cuadro de control:.....	81
6.2	Área de trabajo: .....	81
6.3	Cuadro de seguridad:.....	81
<b>7</b>	<b>USO.....</b>	<b>81</b>
<b>8</b>	<b>LIMPIEZA.....</b>	<b>82</b>
8.1	Diaria por un usuario formado. ....	82
8.2	Cada 25 000 cortes y/o 1 vez al año como mínimo, por un agente autorizado .....	82
8.3	Cambio de las cuchillas.....	83
<b>9</b>	<b>CONSUMIBLES.....</b>	<b>84</b>
9.1	Lista de CONSUMIBLES.....	84
<b>10</b>	<b>INCIDENTES DE FUNCIONAMIENTO .....</b>	<b>85</b>
<b>11</b>	<b>CÓDIGOS DE ERROR.....</b>	<b>86</b>
<b>12</b>	<b>LISTA DE COMPONENTES DE LAS FIGURAS.....</b>	<b>87</b>

## 1 ANTES DE LA PUESTA EN SERVICIO

---

Gracias por elegir una solución JAC. Lea con atención este manual de uso antes de instalar y poner en servicio esta máquina. De esta forma, usted puede protegerse y evitar el deterioro de su máquina.

Este manual hace referencia a distintas figuras con el fin de facilitar la comprensión de las instrucciones. Estas figuras se encuentran al final del manual. Consúltelas cuando vea los siguientes símbolos: fig.X, n°Y.

**Para que el funcionamiento de su máquina sea satisfactorio a lo largo de los próximos años, le invitamos a que lea los siguientes consejos:**

- Solicite ayuda a su agente autorizado para la instalación, la puesta en servicio y el seguimiento.
- Para poder beneficiarse de la garantía de 5 años (consulte las condiciones recogidas a continuación), solicite a su distribuidor que complete la tarjeta de mantenimiento al instalar su máquina. Esta tarjeta de mantenimiento se encuentra en la parte trasera de su máquina.

## 2 GARANTÍA

---



**JAC ofrece una garantía de 5 años en todos sus productos.**

Esta garantía es válida para todas las piezas de su máquina, incluidas las electrónicas, excluyendo los consumibles. La garantía entra en vigor a partir de la fecha de instalación del material.

**Con las siguientes condiciones restrictivas:**

- El material debe haberse adquirido a un revendedor autorizado.
- La instalación deberá efectuarla un agente autorizado.
- El material debe utilizarse conforme a las indicaciones del manual de uso y para la finalidad para la que ha sido fabricado.
- El mantenimiento diario del material debe efectuarse conforme a las indicaciones del manual de uso.
- El agente autorizado debe hacer un seguimiento del mantenimiento conforme a las especificaciones de mantenimiento, como mínimo, una vez al año (mantenimiento a cargo del usuario).
- Deben utilizarse exclusivamente piezas originales JAC.



**Si un agente autorizado no efectúa el seguimiento del mantenimiento y/o la tarjeta de mantenimiento no está cumplimentada correctamente, la garantía se limita a un año.**

**Esta garantía no cubre:**

- La sustitución de consumibles (§9).
- Las piezas que nuestros servicios no reconozcan como defectuosas.
- Los problemas derivados de un uso anormal del material.
- Los problemas derivados de una instalación no efectuada por un agente autorizado.

- Las piezas o los problemas causados por daños en el transporte o por un mantenimiento inadecuado.

**Una reparación y/o una sustitución de piezas defectuosas efectuadas durante el periodo de garantía no supondrá la prolongación de dicha garantía.**

---

### 3 ADVERTENCIAS

---

Es muy importante conservar este manual de uso junto con el aparato para futuras consultas. Si este aparato se vende o se transfiere a otra persona, asegúrese de que se le entrega también el manual de uso para que el usuario pueda estar informado de su funcionamiento y de las advertencias que se recogen aquí.



**Estas advertencias se dan por su seguridad y la de los demás. Le rogamos que las lea con atención antes de instalar y utilizar el aparato.**

Esta máquina está diseñada para su uso por adultos autorizados. Asegúrese de que los niños no la toquen o que no la usen como un juguete.

Esta máquina está destinada únicamente a un uso profesional.

Es peligroso modificar o intentar modificar las características de esta máquina.

Después de instalar la máquina, asegúrese de que no aplasta el cable de alimentación.

Siga las instrucciones de uso.

Esta máquina debe almacenarse y utilizarse dentro de un local, protegida de la humedad y del calor.

Esta máquina debe estar suficientemente iluminada para efectuar el trabajo.

Esta máquina tiene un nivel sonoro inferior a 75 dB(A) según la norma EN ISO 3744.

Esta máquina debe utilizarla una sola persona a la vez (salvo indicación contraria).

Esta máquina está diseñada para el corte de panes cocidos y templados.



**Esta máquina no está destinada a los siguientes panes y materiales:**

- Panes calientes, panes duros
- Panes congelados o parcialmente descongelados
- Panes completos con una corteza dura y otros tipos de pan con corteza dura
- Panes de centeno
- Productos no comestibles como la madera, el plástico y materiales similares
- Cualquier otro alimento que no forme parte de la categoría de panes o bizcochos

**La máquina puede sufrir daños al cortar panes o materiales no permitidos.**



**Desconecte siempre la toma de corriente antes de proceder a la limpieza interior y exterior del aparato y a las operaciones de mantenimiento.**

Este aparato es pesado. Tome todas las precauciones de seguridad durante su mantenimiento.

## 4 CARACTERÍSTICAS TÉCNICAS

### 4.1 Características técnicas

	ECO+ 450	ECO+ 450 M	ECO+ 600	ECO+ 450 soplador	ECO+ 450 M soplador	ECO+ 600 soplador
Altura (mm)	1337		1337	1337		1337
Anchura (mm)	604		784	1051		1231
Profundidad (mm)	745		745	829		829
Longitud del canal de entrada (mm)	310	300	310	310	300	310
Anchura del canal de entrada (mm)	440		600	440		600
Altura del canal de entrada (mm)	160		160	160		160
Embalaje (mm)	800 x 860 x 1600					
Peso neto (kg)	165		180	175		190
Peso neto + embalaje (kg)	185		200	195		210
Potencia del motor (kW)	0,49	1,1	1,1	0,49	1,1	1,1
Tipo de motor	Monofásico o trifásico	Trifásico	Monofásico o trifásico	Monofásico o trifásico	Trifásico	Monofásico o trifásico
220v - 50Hz (A)	5	-	5	5	-	5
380v - 50Hz (A)	3,2	3,2	3,2	3,2	3,2	3,2
Capacidad (panes/hora)	200<500					
Nivel sonoro (dB)	<75					

	FACE+	FACE+ M
Altura (mm)	1418	1418
Anchura (mm)	604	604
Profundidad (mm)	654	654
Longitud del canal de entrada (mm)	310	310
Anchura del canal de entrada (mm)	440	440
Altura del canal de entrada (mm)	160	160
Embalaje (mm)	800 x 860 x 1600	800 x 860 x 1600
Peso neto (kg)	165	165
Peso neto + embalaje (kg)	185	185
Potencia del motor (kW)	0,49	0,49
Tipo de motor	Monofásico o trifásico	Trifásico
220v - 50Hz (A)	5	-
380v - 50Hz (A)	3,2	3,2
Capacidad (panes/hora)	200<500	200<500
Nivel sonoro (dB)	<75	<75

<b>Motor reforzado</b>	Opcional
<b>Soplador embolsador (ECO+450 – ECO+600)</b>	Opcional
<b>Barrera óptica</b>	Opcional
<b>Sobreelevación de 4 cm</b>	Opcional
<b>Selector de presión</b>	Opcional
<b>Corte doble (ECO+600)</b>	Opcional
<b>Contador diario</b>	Opcional
<b>Color especial</b>	Opcional
<b>Cuchillas especiales</b>	Opcional

#### 4.2 Detalle de materiales en contacto directo con el pan.

**Tabla de entrada:** INOX 430

**Empujador de pan:** INOX 430

**Rodillo:** INOX 430

**Cuchillas:** Acero

**Tabla de salida:** INOX 430

**Embolsador:** INOX 430

---

## 5 **INSTALACIÓN Y PUESTA EN SERVICIO**

---

### 5.1 Desembalaje de la máquina:

Las máquinas que salen de nuestros talleres se entregan en palés atados y protegidos con cartón. Antes de realizar cualquier acción, debe observarse el embalaje e informar al transportista de cualquier daño debido al transporte.

- A. Quite el cartón y el plástico de embalaje de la máquina.
- B. Quite las cinchas prestando especial atención a su distensión al seccionarlas.
- C. Separe la máquina del palé levantando los listones de madera que bloquean las ruedas.
- D. Baje la máquina del palé. Efectúe esta operación entre dos personas como mínimo para amortiguar al máximo el contacto con el suelo.
- E. Coloque el tope ajustable del embolsador en el embolsador (fig.15 n°29).

**Después de desembalar su máquina, compruebe que no ha sufrido daños durante el transporte. Infórmenos de cualquier anomalía.**

### 5.2 Ubicación:

Para obtener un rendimiento excelente y una fiabilidad a largo plazo, elija una ubicación que esté:

Bien ventilada, protegida de los rayos directos del sol y alejada de fuentes de calor, con una superficie robusta y sin vibraciones.

### 5.3 Conexión eléctrica:

**IMPORTANTE:** La toma de tierra es obligatoria.

Es aconsejable proteger la instalación con un fusible y un disyuntor diferencial.

La instalación eléctrica que suministra energía a la máquina debe estar protegida tal y como se indica a continuación:

- América del Norte: Protección 15 A.

- Resto del mundo: Protección 16 A.

Las máquinas equipadas con un variador deben estar conectadas obligatoriamente a una caja de derivación en una línea equipada con un diferencial de 300 mA.

Nota: La garantía no cubrirá cualquier problema ocasionado por una conexión de otro tipo.

Antes de conectar su máquina a la red y con el fin de evitar una avería del motor al encenderla, es importante comprobar la adecuación de la red de alimentación a las características de la máquina (consulte la placa informativa de la máquina).

Este aparato cumple con las directivas sobre máquinas 2006/42, 2006/95 y 2004/108 y lleva el marcado CE que lo certifica.

Consulte los pictogramas de seguridad que figuran en la máquina:



Pictograma que indica un riesgo de corte. Lo encontrará en la parte delantera de la máquina, alrededor de la zona de colocación del pan (fig.13, n°25).

Encontrará el esquema eléctrico de la máquina en la parte trasera de la puerta de la caja eléctrica (fig.13, n°26).



Pictograma que indica un riesgo de electrocución. Desconecte la máquina antes de hacer cualquier intervención. Lo encontrará en la parte trasera de la máquina, cerca del cable de alimentación y dentro de la máquina en la caja eléctrica (fig.13, n°27).

### 5.4 Puesta en servicio:

Antes de la puesta en servicio, asegúrese de que no queda ningún objeto sobrante en las partes en movimiento de la máquina.

Para utilizar la máquina, consulte el apartado «Uso».

### 5.5 Peligro:

En caso de peligro para el usuario o para la máquina, debe utilizar el interruptor general para cortar la alimentación de la máquina.

Quite el enchufe de la toma de corriente antes de efectuar cualquier operación de mantenimiento y de limpieza.

No toque la cuchilla incluso si la máquina está parada.

Para cambiar la cuchilla, solicite la intervención de su distribuidor autorizado.



Lleve siempre guantes de protección anticorte al sustituir las cuchillas o cuando trabaje cerca de la cuchilla.

Cualquier operación de mantenimiento o de sustitución de piezas debe efectuarla una persona cualificada.

---

## 6 CUADRO DE CONTROL Y DE SEGURIDAD

---

### 6.1 Cuadro de control:

Su cortadora está equipada de serie con dos botones:  
Un botón de puesta en marcha y un botón de detención de emergencia.

Opcionalmente, puede estar equipada con los botones adicionales siguientes:

- Selector de presión
- Modo automático
- Inicio de soplador (en una máquina equipada con soplador)

### 6.2 Área de trabajo:

El área de trabajo está situada en la parte delantera de la máquina (fig.3 n°18)

### 6.3 Cuadro de seguridad:

Esta máquina está equipada con:

**Un interruptor mecánico de seguridad** (fig.10 n°23) (EPK – EPF – EPKS – EPFS – EGK – EGF)

Situado en la parte trasera de la tapa superior

Detiene la máquina al abrir la tapa superior (fig.1, n°2)

**Un interruptor mecánico de seguridad** (fig. 11 n°24)

Situado en la parte inferior de la máquina, debajo de la bandeja de migas

Que impide que la máquina empiece a funcionar al abrir la puerta delantera (fig.1, n°8)

**Células fotoeléctricas** que impiden que funcione la máquina cuando el cableado está cortado (opcional) (EPL – EPM – EPLS – EPMS – EGL – EGM) (fig.8, n°21)

**Una barra de seguridad** que impide que funcione la máquina al presionarla

(opcional) (EPB – EPBS – EPN – EPNS)

---

## 7 USO

---

Para utilizar la máquina, las ruedas provistas de freno deben estar bloqueadas (fig.1 n°13).

**Al principio del día, encienda la máquina con ayuda del botón de detención de emergencia (fig.1 n°10)**

## Procedimiento de uso

OPCIONAL: Seleccione el tipo de regulación con el botón selector (fig.4):

- 1: velocidad lenta
- 2: velocidad rápida
- ISC: gestión automática

OPCIONAL: Para trabajar en continuo, pulse el botón **AUTO (fig.4)**

- A, A'. Coloque el pan en la tabla trasera (fig.3 n°16), entre las cuchillas y la parte móvil (fig.5, fig.6).
- B. Cierre la tapa (fig.1 n°2) (fig.5).
- B'. Presione el botón verde (fig.1 n°11) (opción barrera óptica o barra de seguridad) (fig.6).
- C, C'. Recoja el pan en la tabla delantera (fig.5) (fig.6).

OPCIONAL: Para controlar la sopladora (fig.7 n°19), pulse el botón blanco situado en el lado derecho (fig.7 n°20).

Al final del día, pulse el botón rojo **de detención de emergencia (fig.1 n°10)** para apagar la máquina.

**Recomendación:** Después de los primeros días de trabajo, pida a una persona cualificada que compruebe la tensión de las cuchillas.

**Capacidad:** Número de panes cortados al día: 6000 (según el tipo de pan).

Tamaño del pan:

450: (L x l x h) (cm): mín. 12 x 6 x 6 - máx. 44 x 31 x 16

600: (L x l x h) (cm): mín. 12 x 6 x 6 - máx. 58 x 31 x 16

### Seguridad:

Abrir la tapa de seguridad (fig.1 n°2) impide que la máquina funcione.

Pasar por delante de las células fotoeléctricas (fig.8 n°21) impide que la máquina funcione (en máquinas equipadas con esta opción).

La activación de un sistema de seguridad se indica con el parpadeo del botón/indicador verde. El número de parpadeos corresponde a un código de error (§11).

Presionar la barra de seguridad (fig.9 n°22) impide que la máquina funcione (EPB – EPBS – EPN – EPNS).

---

## 8 LIMPIEZA

---

### 8.1 Diaria por un usuario formado.

- A. Compruebe si debe vaciar la bandeja de migas
- B. Limpie las tablas (fig.1 n°5) (fig.3 n°16) con un cepillo
- C. Utilice un paño seco para limpiar el interior
- D. Para la limpieza exterior, utilice un paño húmedo

### 8.2 Cada 25 000 cortes y/o 1 vez al año como mínimo, por un agente autorizado

- A. Quite el enchufe de la toma de corriente (fig.2 n°15)
- B. Compruebe el estado de las cuchillas de corte (fig.1 n°4)
- C. Si se percibe una bajada de la calidad de corte, es necesario sustituir las cuchillas de corte (referencia JAC: 610001, 610011, 610019 del catálogo de Piezas de Recambio JAC)



- D. Si se deben cambiar, hágalo de acuerdo con el procedimiento de cambio de las cuchillas de corte (fig.12)
- E. NOTA: No tense las cuchillas en exceso, ya que podría deformar los marcos.
- F. Limpie con un cepillo y aspire el interior de la máquina.
- G. Compruebe el estado de los rodamientos y engráselos.
- H. Engrase las articulaciones del elevador.

Compruebe que su agente autorizado registre su intervención en su tarjeta de mantenimiento para conservar su garantía de 5 años.

### **Complemento de mantenimiento para los modelos con engrasado**

**El aceite que se debe utilizar es: 7940019 (como se indica en el catálogo JAC «Piezas de Recambio»**

**O un aceite vegetal líquido alimentario con antioxidante natural**

**Cada 1000 cortes o cada 15 días**, por un usuario formado:

Añada la dosis de aceite alimentario (de 100 a 150 ml) necesaria para empapar los filtros del empujador de pan (active el botón de avance de carro para permitir el acceso al tapón de suministro de aceite).

**Cada 25 000 cortes y/o 1 vez al año como mínimo**, por un agente autorizado:

Quite el enchufe de la toma de corriente.

Sustituya los filtros del empujador de pan.

### **8.3 Cambio de las cuchillas.**

(fig.12)

Lleve siempre guantes de protección anticorte (Norma EN 388: 2003 índice B= 5) y calzado de seguridad al sustituir las cuchillas o cuando trabaje cerca de la cuchilla.

Después de asegurarse de que el enchufe de su máquina (fig.2 n°15) está desconectado de la corriente.

- A. Quite el palé de embolsado.
- B. Desatornille la tabla delantera a los lados de la máquina.
- C. Quite la tabla delantera.
- D. Desatornille el forro.
- E. Abra el forro que protege los marcos de soporte de las cuchillas. En la parte superior del marco delantero, afloje los tornillos **A** que sujetan el marco a las láminas de polipropileno (no desmonte nunca las láminas de la carcasa, ya podría modificar los ajustes de fábrica).
- F. Empuje el marco hacia adelante. Sustituya las cuchillas del marco trasero (coloque algo para protegerse sobre las cuchillas del marco delantero). Afloje las contratuercas de los tornillos **B** (máquinas Misch). Afloje las contratuercas atornilladas en los tornillos B (EPF – EPFS – EPM – EPN). Afloje los tornillos **B** hexagonales huecos que tensan las cuchillas. Sustituya las cuchillas comprobando que estén bien colocadas en los pasadores de los balancines. Vuelva a tensar las cuchillas apretando los tornillos **B**, teniendo como referencia para la tensión las cuchillas que han quedado en el marco. Luego, apriete las tuercas (máquina equipada con la opción de engrasado).

**Para no deformar el marco y evitar roturas peligrosas, sustituya solamente entre 1 y 3 cuchillas a la vez alternando de derecha a izquierda.**

Vuelva a empezar el procedimiento a partir del punto 6 para el marco delantero y vuelva a colocar el marco delantero y los elementos de protección.

Conecte la máquina a la red eléctrica, la máquina está lista.

Compruebe que su agente autorizado registre su intervención en su tarjeta de mantenimiento para conservar su garantía de 5 años.

## 9 CONSUMIBLES

Al pedir una pieza de recambio, compruebe con su agente autorizado de qué pieza se trata con base en el catálogo de piezas de recambio del fabricante.

Indique siempre el número de máquina tal y como se indica en la placa informativa.

Su agente efectuará el pedido a JAC.

### 9.1 Lista de CONSUMIBLES

CÓDIGO DE ARTÍCULO	ETIQUETA	MODELO
7240032	CORREA	TODOS
5690012	PATÍN DE GUÍA 140 MM	TODOS
5690020	LÁMINA DE MARCOS	TODOS
6110001	CUCHILLA JAC 13 MM/0,5 MM	ECO+ 450, ECO+ 450 SOPLADOR, FACE+ 450
6110011	CUCHILLA JAC 13 MM/0,5 MM + TEFLÓN	ECO+ 450M, ECO+ 450M SOPLADOR, FACE+ 450M
6110019	CUCHILLA JAC 13 MM/0,7 MM	ECO+ 600, ECO+ 600M, ECO+ 600 SOPLADOR
5310026	MUELLE DEL RODILLO CON ANILLO DE PLÁSTICO	ECO+ 450, ECO+ 450 SOPLADOR, ECO+ 600, ECO+ 600 SOPLADOR, FACE+ 450
5310030	MUELLE DEL RODILLO CON ANILLO DE ACERO INOXIDABLE	ECO+ 450M, ECO+ 450M SOPLADOR, ECO+600M, FACE+ 450M
5315013	MUELLE DE GAS 40 N	TODOS
5690151	PATÍN DEL RODILLO	TODOS
5630012	TOPE DE CAUCHO Ø 6 MM	TODOS
5690102	SOLAPAS JAC	TODOS
6120002	FIELTRO DEL EMPUJADOR DE PANES	ECO+ 450M, ECO+ 450M SOPLADOR, FACE+ 450M
4-04846	FIELTRO DEL EMPUJADOR DE PANES	ECO+ 600M

## 10 INCIDENTES DE FUNCIONAMIENTO

Problema	Comprobación
<b>La máquina no gira</b>	Conecte la máquina con el cable (fig.2 n°15)
	Desbloquee la parada de emergencia (fig.1 n°10)
	Cierre la tapa
	Contacte con su agente autorizado si el indicador verde parpadea
	Cierre la puerta delantera
<b>La máquina funciona, pero los panes están dañados o cortados de forma irregular</b>	Compruebe si es necesario sustituir las cuchillas (fig.12)
	Deje que el pan se enfríe unas horas
	Introduzca un pan con el tamaño adecuado
	Introduzca un pan lo suficientemente firme
	Si las cuchillas están desalineadas, ajuste las cuchillas y los marcos
<b>El pan vibra en las cuchillas</b>	Si las cuchillas están desalineadas, ajuste las cuchillas y los marcos
<b>El pan se corta demasiado lento</b>	Compruebe si es necesario sustituir las cuchillas (fig.12)
	Seleccione otro ajuste de presión en su selector de presión (ISC)
	Compruebe que los muelles del rodillo están bien colocados (fig.14 n°28)
<b>El pan se rompe</b>	Si las cuchillas están desalineadas, ajuste las cuchillas y los marcos
	Compruebe que los muelles del rodillo están bien colocados (fig.14 n°28)
	Compruebe si es necesario sustituir las cuchillas (fig.12)
	Contacte con su agente autorizado si el indicador verde parpadea
<b>El pan sale muy lentamente o se queda en las cuchillas</b>	Compruebe que los muelles del rodillo están bien colocados (fig.14 n°28)
<b>El pan está aplastado al salir de las cuchillas</b>	Quite un muelle del rodillo y vuelva a empezar su prueba (fig.14 n°28)

**ATENCIÓN:** Para cualquier intervención, la máquina deberá estar desenchufada obligatoriamente.



Si el problema persiste, póngase en contacto con su técnico.

## 11 CÓDIGOS DE ERROR

Parpadeo o código mostrado en pantalla	Descripción del problema	Acción
2	Seguridad SECU1 abierta durante ciclo.	Reinicie la máquina con la detención de emergencia (fig.1 n°10). Si el problema persiste, póngase en contacto con su técnico.
3	Corriente al elevador (M2) superior a 6 A durante 1 segundo mientras avanza/corta.	
4	Seguridad térmica del motor de corte (F3) activada.	
5	Sin movimiento del elevador (M2) a pesar de que la tensión está al máximo.	
6	El rodillo no está en su posición inicial. No se ha activado el fin de carrera S1.	
7	Tiempo del ciclo de avance / corte superior a 60 segundos.	
8	Tiempo del ciclo de retroceso superior a 30 segundos.	
9	Fin de carrera de posición trasera (S1) y delantera (S2) activados al mismo tiempo.	
10	Corriente al elevador (M2) superior a 5 A durante 1 segundo mientras el carro retrocede.	
11	Tapa de seguridad delantera (S3) abierta durante un ciclo.	



Si el problema persiste, póngase en contacto con su técnico.

---

**12 LISTA DE COMPONENTES DE LAS FIGURAS**

---

<b>Figura</b>	<b>Número</b>	<b>Nombre</b>
1	1	Imán de la tapa superior
	2	Tapa superior
	3	Forro
	4	Cuchillas
	5	Tabla delantera
	6	Botón de reseteo del contador de aceite
	7	Bandeja de migas
	8	Puerta delantera
	9	Embolsador
	10	Botón de detención de emergencia
	11	Indicador o botón luminoso verde
	12	Contador
	13	Rueda frenada
2	14	Chapa trasera
	15	Cable de alimentación
3	16	Tabla trasera
	17	Cierre magnético
	18	Área de trabajo
7	19	Soplador embolsador
	20	Botón de control del soplador
8	21	Célula de seguridad
9	22	Barra de seguridad
10	23	Interruptor mecánico de seguridad
11	24	Interruptor mecánico de seguridad
13	25	Señal «riesgo de corte»
	26	Esquema eléctrico
	27	Señal «riesgo de electrocución»
14	28	Muelle de rodillo extraíble
15	29	Tope ajustable del embolsador

<b>1</b>	<b>PRIMA DELLA MESSA IN FUNZIONE</b> .....	<b>89</b>
<b>2</b>	<b>GARANZIA</b> .....	<b>89</b>
<b>3</b>	<b>AVVERTENZE</b> .....	<b>90</b>
<b>4</b>	<b>CARATTERISTICHE TECNICHE</b> .....	<b>91</b>
4.1	Caratteristiche tecniche .....	91
4.2	Dettaglio materiali a contatto con il pane .....	92
<b>5</b>	<b>INSTALLAZIONE E MESSA IN FUNZIONE</b> .....	<b>92</b>
5.1	Disimballo della macchina: .....	92
5.2	Posizionamento: .....	92
5.3	Collegamento elettrico: .....	93
5.4	Messa in servizio: .....	93
5.5	Pericolo: .....	93
<b>6</b>	<b>ORGANO DI COMANDO E DI SICUREZZA</b> .....	<b>94</b>
6.1	Organo di comando: .....	94
6.2	Zona di lavoro: .....	94
6.3	Organi di sicurezza: .....	94
<b>7</b>	<b>UTILIZZO</b> .....	<b>94</b>
<b>8</b>	<b>MANUTENZIONE</b> .....	<b>95</b>
8.1	Quotidiana da parte di un utilizzatore addestrato. ....	95
8.2	Ogni 25.000 tagli e/o 1 volta l'anno almeno, da parte di un tecnico autorizzato. ....	95
8.3	Sostituzione delle lame .....	96
<b>9</b>	<b>COMPONENTI DI CONSUMO</b> .....	<b>97</b>
9.1	Elenco dei COMPONENTI DI CONSUMO .....	97
<b>10</b>	<b>INCIDENTI DI FUNZIONAMENTO</b> .....	<b>98</b>
<b>11</b>	<b>CODICI DI ERRORE</b> .....	<b>99</b>
<b>12</b>	<b>ELENCO DEI COMPONENTI INDICATI NELLE FIGURE</b> .....	<b>100</b>

---

## 1 PRIMA DELLA MESSA IN FUNZIONE

---

Grazie per aver scelto una soluzione JAC. Si invita a leggere con attenzione queste note informative prima di procedere all'installazione e alla messa in servizio di questa macchina. Contengono informazioni su come proteggersi e come evitare il deterioramento della macchina.

Queste informazioni fanno riferimento a diverse figure, in modo da facilitare la comprensione delle istruzioni. Le figure si trovano al fondo delle informazioni. Si invita a farvi riferimento quando si incontrano i seguenti simboli (fig. X, n. Y).

**Per una totale soddisfazione dall'utilizzo della macchina nei prossimi anni, si invita a tenere presenti i seguenti consigli:**

- Farsi aiutare dal tecnico autorizzato per l'installazione, la messa in servizio e il follow-up.
- Per beneficiare della garanzia di 5 anni (vedere le condizioni riportate in seguito), far compilare dal distributore, il libretto di manutenzione al momento dell'installazione della macchina. Il libretto di manutenzione si trova nella parte posteriore della macchina.

---

## 2 GARANZIA

---



**JAC offre una garanzia di 5 anni su tutti i suoi prodotti.**

Questa garanzia è valida su tutte le parti della macchina, comprese quelle elettroniche, a parte i componenti di consumo. La garanzia entra in vigore a partire dalla data di installazione del materiale.

**Secondo le seguenti condizioni restrittive:**

- Materiale acquistato presso un rivenditore autorizzato.
- Installazione effettuata da un tecnico autorizzato.
- Utilizzo del materiale conformemente alle indicazioni sul modo di utilizzo e nel rispetto della finalità per la quale è stato fabbricato.
- Materiale quotidianamente mantenuto nel rispetto delle indicazioni delle modalità di utilizzo.
- Manutenzioni successive da parte del tecnico autorizzato conformemente alle specifiche di manutenzione con, al minimo, una manutenzione l'anno (manutenzione a carico dell'utente).
- L'utilizzo esclusivo di parti originali JAC.



**Se non si eseguono interventi di manutenzione da parte di un tecnico autorizzato e/o il libretto di manutenzione non è correttamente completato, la garanzia si limita ad un anno.**

**Questa garanzia non copre:**

- La sostituzione dei componenti di consumo (§9).
- Le parti non riconosciute difettose dai nostri servizi.
- I problemi derivanti da un utilizzo anomalo del materiale.
- I problemi derivanti da un'installazione non effettuata da un tecnico autorizzato.

- Le parti o i problemi derivanti da un danno di trasporto o da una manutenzione inadeguata.

**Una riparazione e/o una sostituzione di parti difettose effettuate durante il periodo di garanzia non producono l'effetto di prolungare detta garanzia.**

---

### 3 AVVERTENZE

---

È molto importante che le istruzioni per l'utilizzo siano conservate con l'apparecchio per ogni consultazione futura. Se questo macchinario deve essere venduto o trasferito ad un'altra persona, accertarsi che le istruzioni per l'utilizzo siano consegnate all'utente destinatario in modo che possa essere informato sul funzionamento e sui messaggi di avvertenza ad esso riferiti.



**Tali avvertenze sono fornite per la vostra sicurezza e per quella altrui. Si prega di leggerle con attenzione prima di installare e utilizzare il macchinario.**

Questa macchina è stata progettata per essere utilizzata da adulti autorizzati. Accertarsi quindi che i bambini non le si avvicinino e che non la utilizzino come un giocattolo.

Questa macchina è destinata unicamente ad un uso professionale.

È pericoloso modificare o provare a modificare le caratteristiche di questa macchina.

Accertarsi dopo averla installata, che non appoggi sul cavo di alimentazione.

Seguire le istruzioni fornite per l'utilizzo.

Questa macchina deve essere sistemata e utilizzata all'interno di un locale, al riparo da umidità e calore.

Deve essere illuminata a sufficienza per poter funzionare.

La macchina produce un livello di rumore inferiore a 75 dB(A), conforme alla norma EN ISO 3744.

La macchina deve essere utilizzata da una sola persona per volta (salvo prescrizioni contrarie).

Questa macchina è destinata al taglio del pane cotto e raffreddato.



**Questa macchina non è destinata ai seguenti materiali e tipi di pane:**

- Pane caldo, pane raffermo.
- Pane congelato, o parzialmente scongelato.
- Pane integrale con una crosta dura e altri tipi di pane a crosta dura.
- Pane di segale.
- Prodotti non commestibili come legno, plastica e materiali simili.
- Ogni alimento che non fa parte della categoria dei tipi di pane o delle torte.

**La macchina si può danneggiare con il taglio di pani o materiali non autorizzati.**



**Staccare sempre il cavo di alimentazione prima di procedere alla pulizia interna/esterna del macchinario e alle operazioni di manutenzione.**

Questo macchinario è pesante. Adottare tutte le precauzioni di sicurezza al momento della manutenzione.

## 4 CARATTERISTICHE TECNICHE

### 4.1 Caratteristiche tecniche

	ECO+ 450	ECO+ 450 M	ECO+ 600	ECO+ 450 soffiatrice	ECO+ 450 M soffiatrice	ECO+ 600 soffiatrice
Altezza (mm)	1337		1337	1337		1337
Larghezza (mm)	604		784	1051		1231
Profondità (mm)	745		745	829		829
Altezza del canale d'ingresso (mm)	310	300	310	310	300	310
Larghezza del canale d'ingresso (mm)	440		600	440		600
Altezza del canale d'ingresso (mm)	160		160	160		160
Imballaggio (mm)	800 x 860 x 1600					
Peso netto (kg)	165		180	175		190
Peso NETTO + imballaggio (kg)	185		200	195		210
Potenza motore (kW)	0,49	1,1	1,1	0,49	1,1	1,1
Tipo di motore	Monofase o trifase	Trifase	Monofase o trifase	Monofase o trifase	Trifase	Monofase o trifase
220v - 50Hz (A)	5	-	5	5	-	5
380v - 50Hz (A)	3,2	3,2	3,2	3,2	3,2	3,2
Capacità (forme di pane/ora)	200<500					
Livello sonoro (dB)	<75					

	FACE+	FACE+ M
Altezza (mm)	1418	1418
Larghezza (mm)	604	604
Profondità (mm)	654	654
Altezza del canale d'ingresso (mm)	310	310
Larghezza del canale d'ingresso (mm)	440	440
Altezza del canale d'ingresso (mm)	160	160
Imballaggio (mm)	800 x 860 x 1600	800 x 860 x 1600
Peso netto (kg)	165	165
Peso NETTO + imballaggio (kg)	185	185
Potenza motore (kW)	0,49	0,49
Tipo di motore	Monofase o trifase	Trifase
220v - 50Hz (A)	5	-
380v - 50Hz (A)	3,2	3,2
Capacità (forme di pane/ora)	200<500	200<500
Livello sonoro (dB)	<75	<75

<b>Motore rinforzato</b>	opzionale
<b>Soffiatrice insacchettatrice (ECO+450 – ECO+600)</b>	opzionale
<b>Barriera ottica</b>	opzionale
<b>Sopraelevazione di 4 cm</b>	opzionale
<b>Selettore di pressione</b>	opzionale
<b>Doppia fetta (ECO+600)</b>	opzionale
<b>Contatore giornaliero</b>	opzionale
<b>Colore speciale</b>	opzionale
<b>Coltelli speciali</b>	opzionale

#### 4.2 Dettaglio materiali a contatto con il pane.

**Ripiano di alimentazione:** INOX 430

**Spingipane:** INOX 430

**Premipane:** INOX 430

**Lame:** Acciaio

**Ripiano d'uscita:** INOX 430

**Insacchettatrice:** INOX 430

---

## 5 **INSTALLAZIONE E MESSA IN FUNZIONE**

---

### 5.1 Disimballo della macchina:

Le macchine sono consegnate, franco fabbrica, su pallet, legate con cinghie e protette con pannelli di cartone. Prima di tutto, occorre esaminare l'imballaggio e ogni danno dovuto al trasporto deve essere dichiarato direttamente all'addetto alla consegna.

- A. Togliere il cartone e il sacchetto d'imballaggio dalla macchina.
- B. Togliere le cinghie facendo particolare attenzione allo sgancio di queste ultime durante il taglio.
- C. Staccare la macchina dal pallet togliendo i listelli di legno che bloccano le ruote.
- D. Far scendere la macchina dal pallet. Accertarsi di essere almeno in due per questa operazione per ammortizzare al meglio il contatto con il terreno.
- E. Posizionare il riscontro regolabile dell'insacchettatrice su quest'ultima (fig.15, n. 29).

**Dopo il disimballo della macchina, verificare che non abbia subito danni durante il trasporto. Segnalare ogni anomalia.**

### 5.2 Posizionamento:

Per ottenere performance eccellenti e affidabilità a lungo termine, scegliere una posizione:

Ben ventilata, al riparo dai raggi solari diretti e lontano da fonti di calore, con una superficie robusta e priva di vibrazioni.

### 5.3 Collegamento elettrico:

**IMPORTANTE:** Messa a terra obbligatoria.

Si consiglia di proteggere l'impianto con un fusibile e un salvavita.

L'impianto elettrico che alimenta la macchina deve essere protetto secondo quanto indicato qui di seguito:

- Nord America: Protezione 15 A;

- Resto del mondo: Protezione 16 A.

Le macchine dotate di variatore, devono necessariamente essere collegate ad una scatola di derivazione su di una linea dotata di salvavita da 300 mA.

Nota: Ogni problema derivante da un altro tipo di collegamento non sarà preso in considerazione ai fini della garanzia.

Prima di collegare la macchina alla rete e onde evitare una dismissione del motore all'avvio, è importante verificare la compatibilità della rete di alimentazione con le caratteristiche della macchina (vedere la relativa targa segnaletica).

Questo apparecchio è conforme alle direttive macchine 2006/42, 2006/95, 2004/108 e reca la marcatura CE che attesta detta conformità.

Si invita a prendere visione della segnaletica di sicurezza che figura sulla macchina:



Segnale che indica un rischio di taglio. Si trova davanti alla macchina nella zona di deposito del pane (fig. 13, n. 25).

Sul retro della porta del quadro elettrico si trova lo schema elettrico della macchina (fig.13, n. 26).



Segnale che indica un rischio di folgorazione. Scollegare il cavo di alimentazione prima di qualsiasi intervento sulla macchina. Si trova nella parte posteriore della macchina vicino al cavo di alimentazione e all'interno della macchina sul quadro elettrico (fig.13, n. 27).

### 5.4 Messa in servizio:

Prima della messa in servizio, accertarsi che non vi siano oggetti estranei sulle parti in movimento della macchina.

Per l'utilizzo della macchina, fare riferimento al capitolo "Utilizzo".

### 5.5 Pericolo:

In caso di pericolo per l'utente o per la macchina, utilizzare l'interruttore generale per interrompere l'alimentazione della macchina.

Estrarre la spina della presa elettrica prima di ogni operazione di manutenzione o di assistenza.

Non toccare la lama, anche all'arresto.

Per la sostituzione della lama, rivolgersi al distributore autorizzato.

Indossare sempre guanti di protezione anti-taglio per la sostituzione delle lame o per un'operazione nelle vicinanze della lama.

Ogni operazione di manutenzione o sostituzione delle parti deve essere effettuata da una persona qualificata.

---

## **6 ORGANICO DI COMANDO E DI SICUREZZA**

---

### **6.1 Organo di comando:**

La taglierina è dotata di serie di due pulsanti:  
Un pulsante di avvio e un pulsante di arresto d'emergenza.

Può essere anche dotata dei seguenti pulsanti opzionali:

- Selettore di pressione
- Modalità auto
- Avvio soffiatrice (sulla macchina dotata di soffiatrice)

### **6.2 Zona di lavoro:**

La zona di lavoro si trova davanti alla macchina (fig. 3 n. 18).

### **6.3 Organi di sicurezza:**

Questa macchina è dotata:

**Di un interruttore di sicurezza meccanico** (fig. 10, n. 23) (EPK – EPF – EPKS – EPFS – EGK – EGF)  
che si trova nella parte posteriore del coperchio superiore  
e che ferma la macchina quando si apre il coperchio superiore (fig. 1, n. 2).

**Di un interruttore di sicurezza meccanico** (fig. 11, n. 24)  
che si trova nella parte bassa della macchina, sotto il cassetto raccogli-briciole  
e che impedisce alla macchina di partire quando si apre lo sportello anteriore (fig. 1, n. 8).

**Di cellule fotoelettriche** che impediscono il funzionamento della macchina quando il fascio è interrotto (opzione) (EPL – EPM – EPLS – EPMS – EGL – EGM) (fig. 8, n. 21).

**Di una barra di sicurezza** che impedisce il funzionamento della macchina quando viene premuta. (opzione) (EPB – EPBS – EPN – EPNS)

---

## **7 UTILIZZO**

---

Per l'utilizzo, le rotelle provviste di freno devono essere bloccate (fig. 1, n. 13).

**Ad inizio giornata, alimentare la macchina tramite l'arresto d'emergenza (fig. 1, n. 10).**

## Procedura di utilizzo

OPZIONALE: Scegliere il tipo di regolazione mediante il pulsante selettore (fig.4):

- 1: velocità lenta
- 2: velocità rapida
- ISC: gestione automatica

OPZIONALE: Per lavorare in continuo, premere il pulsante **AUTO (fig. 4)**

- A, A'. Porre il pane sul ripiano posteriore (fig.3 n°16), tra le lame e la parte mobile (fig. 5, fig. 6).
- B. Chiudere il coperchio (fig.1, n. 2) (fig.5).
- B'. Premere il pulsante verde (fig. 1 n. 11) (opzione barriera ottica o barra di sicurezza) (fig. 6).
- C, C'. Recuperare il pane sul ripiano anteriore (fig. 5) (fig. 6).

OPZIONALE: Per azionare la soffiatrice (fig. 7, n. 19) premere il pulsante bianco situato a destra (fig. 7, n. 20).

A fine giornata, premere il pulsante rosso **d'arresto d'emergenza** (fig. 1,n. 10) per togliere alimentazione alla macchina.

**Consiglio:** Dopo i primi giorni di lavoro, far controllare la tensione delle lame da una persona qualificata.

**Capacità:** Numero di forme di pane tagliate al giorno: 6.000 (a seconda del tipo di pane).

Dimensioni della forma di pane:

450: (L x h) (cm): min. 12 x 6 x 6 - max. 44 x 31 x 16

600: (L x h) (cm): min. 12 x 6 x 6 - max. 58 x 31 x 16

### Sicurezza:

L'apertura del coperchio di sicurezza (fig. 1, n. 2) impedisce il funzionamento della macchina.

Passare davanti alle cellule fotoelettriche (fig. 8, n. 21) impedisce il funzionamento della macchina (Macchina dotata di questa opzione).

L'attivazione di una sicurezza è segnalata dal pulsante/spia verde. Il numero di lampeggiamenti corrisponde ad un codice di errore (§11).

La pressione sulla barra di sicurezza (fig. 9 n. 22) impedisce alla macchina di funzionare (EPB – EPBS – EPN – EPNS).

---

## 8 MANUTENZIONE

---

### 8.1 Quotidiana da parte di un utilizzatore addestrato.

- A. Verificare se occorre svuotare il cassetto raccogli-briciole.
- B. Pulire i ripiani (fig. 1, n. 5) (fig. 3, n. 16) con una spazzola.
- C. Utilizzare un panno asciutto per la pulizia interna.
- D. Per la manutenzione esterna, utilizzare un panno umido.

### 8.2 Ogni 25.000 tagli e/o 1 volta l'anno almeno, da parte di un tecnico autorizzato.

- A. Staccare la presa della corrente (fig. 2, n. 15).
- B. Verificare lo stato delle lame da taglio. (fig. 1, n. 4).
- C. Se si nota un deterioramento della qualità del taglio occorre procedere alla sostituzione delle lame da taglio (riferimento JAC: 610001, 610011, 610019 del catalogo di Parti di ricambio JAC).

- D. Se sono da cambiare, sostituire le lame nel rispetto della procedura di sostituzione delle lame da taglio (fig. 12).
- E. N.B.: Non tendere eccessivamente le lame, altrimenti si rischia di deformare i telai.
- F. Pulire con una spazzola e aspirare l'interno della macchina.
- G. Verificare lo stato dei cuscinetti, quindi lubrificarli.
- H. Ingrassare le articolazioni del martinetto.

Verificare attentamente che il tecnico autorizzato registri l'intervento sul libretto di manutenzione al fine di mantenere la garanzia di 5 anni.

### **Complemento di manutenzione per i modelli con lubrificazione**

**L'olio da utilizzare è: 7940019 (come menzionato nel catalogo JAC "parti separate")  
O un olio vegetale liquido alimentare con antiossidante naturale**

**Ogni 1000 tagli o ogni 15 giorni**, da parte di un utilizzatore addestrato:

Aggiungere la dose di olio alimentare (da 100 a 150 ml) necessario per imbibire i feltri dello spingipane (azionare il pulsante di avanzamento carrello per consentire l'accesso al bocchettone di alimentazione dell'olio).

**Ogni 25.000 tagli e/o 1 volta l'anno almeno**, da parte di un tecnico autorizzato:

Staccare la presa della corrente.

Sostituire i feltri spingipane.

### **8.3 Sostituzione delle lame**

(fig. 12).

Far sempre attenzione ad indossare guanti di protezione anti-taglio (Norma EN 388: 2003 indice B= 5) e scarpe di sicurezza al momento della sostituzione delle lame o di un'operazione vicino alle lame. Dopo essersi accertati che la presa della macchina (fig. 2 n. 15) sia ben scollegata dalla corrente.

- A. Staccare il pallet di insacchettatura.
- B. Svitare il ripiano anteriore sui lati della macchina.
- C. Estrarre il ripiano anteriore.
- D. Svitare la cuffia.
- E. Aprire la cuffia che protegge i telai di supporto lame. Nella parte superiore del telaio anteriore, allentare le viti **A** che fissano il telaio alle lamelle di polipropilene (non smontare mai le lamelle della struttura, altrimenti si rischia di modificare le regolazioni del produttore).
- F. Adagiare il telaio in avanti. Sostituire le lame del telaio posteriore (proteggersi dalle lame del telaio anteriori). Svitare i controdati delle viti **B** (macchine Misch). Allentare i controdati avvitati sulle viti B (EPF – EPFS – EPM – EPN). Svitare le viti **B** a esagono incassate che tendono le lame. Sostituire le lame controllando che siano ben posizionate nella sporgenza dei bilancieri. Ridistendere le lame serrando le viti **B**, avendo come riferimento per la tensione le lame rimaste sul telaio. Quindi serrare i dadi (macchina dotata dell'opzione lubrificazione).

**Per non deformare il telaio e non rischiare rotture pericolose, non sostituire più di 1 - 3 lame per volta alternando da sinistra a destra.**

Ricominciare la procedura dal punto 6 per il telaio anteriore e rimontare il telaio anteriore e gli elementi di rivestimento.

Collegare la macchina alla rete elettrica, la macchina è pronta.

Verificare attentamente che il tecnico autorizzato registri l'intervento sul libretto di manutenzione al fine di mantenere la garanzia di 5 anni.

## **9 COMPONENTI DI CONSUMO**

Al momento dell'ordine di parti di ricambio, verificare con il tecnico autorizzato di quale parte si tratta in base al catalogo delle parti di ricambio emesso dal fabbricante.

Precisare sempre il codice della macchina indicato sulla targa segnaletica.

Il tecnico effettua gli ordini presso JAC.

### **9.1 Elenco dei COMPONENTI DI CONSUMO**

<b>CODICE ARTICOLO</b>	<b>VERSIONE</b>	<b>MODELLO</b>
7240032	CINGHIA	TUTTE
5690012	PATTINO DI GUIDA 140MM	TUTTE
5690020	LAMELLE DEI TELAI	TUTTE
6110001	COLTELLO JAC 13MM/0,5MM	ECO+ 450, ECO+ 450 SOFFIATRICE, FACE+ 450
6110011	COLTELLO JAC 13MM/0,5MM + TEFLON	ECO+ 450M, ECO+ 450M SOFFIATRICE, FACE+ 450M
6110019	COLTELLO JAC 13MM/0,7MM	ECO+ 600, ECO+ 600M, ECO+ 600 SOFFIATRICE
5310026	MOLLA PREMIPANE RESSORT ANELLO IN PLASTICA	ECO+ 450, ECO+ 450 SOFFIATRICE, ECO+ 600, ECO+ 600 SOFFIATRICE, FACE+ 450
5310030	MOLLA PREMIPANE RESSORT ANELLO INOX	ECO+ 450M, ECO+ 450M SOFFIATRICE, ECO+600M, FACE+ 450M
5315013	MOLLA A GAS 40N	TUTTE
5690151	PATTINO PREMIPANE	TUTTE
5630012	RISCONTRO GOMMA Ø 6MM	TUTTE
5690102	JAC FLAPS	TUTTE
6120002	FELTRO PREMIPANE	ECO+ 450M, ECO+ 450M SOFFIATRICE, FACE+ 450M
4-04846	FELTRO PREMIPANE	ECO+ 600M

<b>Problema</b>	<b>Verifica</b>
<b>La macchina non funziona</b>	Collegare la macchina con un cavo (fig.2 n°15).
	Sbloccare l'arresto d'emergenza (fig. 1, n.10).
	Chiudere il coperchio.
	Rivolgersi al proprio tecnico autorizzato se la spia verde lampeggia.
<b>La macchina funziona, ma le forme di pane sono danneggiate o tagliate in modo irregolare.</b>	Chiudere la porta anteriore.
	Verificare se occorre sostituire le lame (fig. 12).
	Lasciar raffreddare la forma di pane per alcune ore.
	Introdurre una forma di dimensioni accettate.
	Introdurre una forma molto soda.
<b>Il pane vibra tra le lame</b>	Se le lame sono disallineate, regolare le lame e i telai.
	Se le lame sono disallineate, regolare le lame e i telai.
<b>Il pane si taglia troppo lentamente</b>	Verificare se occorre sostituire le lame (fig. 12).
	Scegliere un'altra regolazione di pressione sul selettore di pressione (ISC).
	Verificare se le molle dello spingipane sono nella posizione corretta (fig. 14, n. 28).
<b>Il pane si strappa</b>	Se le lame sono disallineate, regolare le lame e i telai.
	Verificare se le molle dello spingipane sono nella posizione corretta (fig. 14, n. 28).
	Verificare se occorre sostituire le lame (fig. 12).
	Rivolgersi al proprio tecnico autorizzato se la spia verde lampeggia.
<b>Il pane esce molto lentamente o rimane tra le lame</b>	Verificare se le molle dello spingipane sono nella posizione corretta (fig. 14, n. 28).
<b>Il pane è schiacciato all'uscita dalle lame</b>	Togliere una molla del premipane e ricominciare la prova (fig. 14, n. 28).

**ATTENZIONE:** Per ogni intervento, la macchina deve obbligatoriamente essere scollegata dall'alimentazione.



**Se il problema persiste, contattare il proprio tecnico.**

## 11 CODICI DI ERRORE

Lampeggiamento o codice visualizzato a video	Descrizione del problema	Intervento
2	Sicurezza SECU1 aperta durante il ciclo.	Riavviare la macchina con il pulsante di arresto d'emergenza (fig.1 n. 10). Se il problema persiste, contattare il proprio tecnico.
3	Corrente al martinetto (M2) superiore a 6A per 1 secondo, durante l'avanzamento / taglio.	
4	Sicurezza termica motore di taglio (F3) attivato.	
5	Nessun movimento del martinetto (M2) nonostante la tensione al massimo.	
6	Spingipane non in posizione iniziale. Fine corsa S1 non attivato.	
7	Tempo del ciclo di avanzamento / taglio superiore a 60 secondi.	
8	Tempo del ciclo di arretramento superiore a 30 secondi.	
9	Fine corsa di posizione posteriore (S1) e anteriore (S2) attivati contemporaneamente.	
10	Corrente al martinetto (M2) superiore a 5A per 1 secondo, durante l'arretramento del carrello.	
11	Coperchio di sicurezza anteriore (S3) aperto per un ciclo.	



Se il problema persiste, contattare il proprio tecnico

---

**12 ELENCO DEI COMPONENTI INDICATI NELLE FIGURE**

---

<b>Figura</b>	<b>Numero</b>	<b>Nome</b>
1	1	Calamita del coperchio superiore
	2	Coperchio superiore
	3	Cuffia
	4	Lame
	5	Ripiano anteriore
	6	Pulsante di reset contatore olio
	7	Cassetto raccogli-briciole
	8	Porta anteriore
	9	Insacchettatrice
	10	Pulsante di arresto d'emergenza
	11	Spia o pulsante verde luminoso
	12	Contatore
	13	Ruota frenata
2	14	Lamiera posteriore
	15	Cavo di alimentazione
3	16	Ripiano posteriore
	17	Serratura magnetica
	18	Zona di lavoro
7	19	Soffiatrice-insacchettatrice
	20	Pulsante di comando soffiatrice
8	21	Cellula di sicurezza
9	22	Barra di sicurezza
10	23	Interruttore di sicurezza meccanico
11	24	Interruttore di sicurezza meccanico
13	25	Segnaletica "rischio di taglio"
	26	Schema elettrico
	27	Segnaletica "rischio di folgorazione"
14	28	Molla dello spingipane amovibile
15	29	Riscontro regolabile dell'insacchettatrice

102.....	قبل التشغيل .....	1
102.....	الضمان .....	2
103.....	تنبيهات .....	3
104.....	المواصفات الفنية .....	4
104.....	المواصفات الفنية .....	4.1
105.....	تفاصيل الخامات الملامسة للخبز .....	4.2
105.....	التركيب والتشغيل .....	5
105.....	فك تنظيف الآلة: .....	5.1
105.....	الموضع: .....	5.2
106.....	التوصيل الكهربى: .....	5.3
106.....	التشغيل: .....	5.4
106.....	خطر: .....	5.5
107.....	جهاز التحكم والأمان .....	6
107.....	جهاز التحكم: .....	6.1
107.....	منطقة عمل: .....	6.2
107.....	أجهزة الأمان: .....	6.3
107.....	الاستخدام .....	7
108.....	الصيانة .....	8
108.....	يومية بواسطة مستخدم مُدرب .....	8.1
108.....	كل 25000 مرة تقطع للخبز و/ أو مرة واحدة على الأقل كل عام بواسطة وكيل معتمد .....	8.2
109.....	تغيير الشفرات .....	8.3
110.....	قطع المستهلكات .....	9
110.....	قائمة بالمستهلكات .....	9.1
111.....	الأحداث العارضة أثناء التشغيل .....	10
112.....	رموز الخطأ .....	11
113.....	قائمة بالمكونات الموجودة في الأشكال .....	12

# اللغة الفرنسية

## 1 قبل التشغيل

نشكركم لاختياركم حلول JAC. تأكد من قراءة دليل الاستخدام هذا قبل تركيب وتشغيل هذه الآلة. يمكنك أن تحمي نفسك وتجنب هكذا أن تتلف الآلة.

يشير هذا الدليل إلى أشكال مختلفة من أجل تسهيل فهم التعليمات. هذه الأشكال موجودة في نهاية هذا الدليل. يُرجى الرجوع إليها ما إن ترى الرموز التالية (شكل كذا، ورقم كذا).

من أجل أن تكون راضيًا تمامًا عن أداء هذه الآلة خلال السنوات القادمة، ندعوك إلى الاطلاع على النصائح التالية:

- استعن بوكيل معتمد من أجل التركيب والتشغيل والمتابعة.

- من أجل الاستفادة من الضمان ومدته 5 سنوات (انظر الشروط المذكورة بعد)، قم بواسطة الموزع، باستكمال دفتر الصيانة أثناء تركيب الآلة. يوجد دفتر الصيانة خلف الآلة.

## 2 الضمان

تقدم شركة JAC ضمانًا على كل منتجاتها مدته 5 سنوات.

يسري هذا الضمان على كل قطع الآلة، بما فيها القطع الإلكترونية، دون المستهلكات. يسري الضمان من تاريخ تركيب المعدة.



بحسب الشروط المقيدة التالية:

- تم شراء المعدة من موزع معتمد؛
- تم التركيب بمعرفة وكيل معتمد؛
- استخدام المعدة وفقًا لتعليمات دليل الاستخدام وفي الغرض الذي صنعت من أجله؛
- يتم صيانة المعدة يوميًا وفقًا لإرشادات دليل الاستخدام؛
- يتابع الصيانة الوكيل المعتمد وفقًا لشروط الصيانة، مع إجراء الصيانة مرة في العام، على الأقل (الصيانة على حساب المستخدم).
- الاستخدام الحصري لقطع الغيار الأصلية من JAC.

إذا لم توجد صيانة من وكيل معتمد و/أو أن دفتر الصيانة غير مكتمل بشكل صحيح، تقتصر فترة الضمان على عام واحدة.



علما بأن الضمان لا يشمل:

- استبدال المستهلكات (فقرة 9)؛
  - قطع الغيار التي لم يقر قسم الخدمة الفنية بأنها تالفة؛
  - المشكلات الناجمة عن الاستخدام غير السليم للمعدة؛
  - المشكلات الناجمة عن تركيب لم يتم بمعرفة وكيل معتمد؛
  - قطع الغيار أو المشكلات الناجمة عن تلف أثناء النقل أو المناولة غير المناسبة.
- ليس من شأن الإصلاح و/أو الاستبدال لقطع الغيار التالفة الذي يتم خلال مدة الضمان أن يمدد هذا الضمان.

من المهم جدًا حفظ دليل الاستخدام هذا مع الجهاز للاطلاع عليه في المستقبل. إذا كان سيتم بيع أو نقل هذا الجهاز إلى شخص آخر، فتأكد أن يتم إعطاء دليل الاستخدام هذا بحيث يستطيع المستخدم معرفة تشغيله والتنبيهات المتعلقة به.

تم إعطاء هذه التنبيهات حرصًا على سلامتك وعلى سلامة الآخرين. الرجاء قراءتها بانتباه قبل تركيب واستخدام الجهاز. تم تصميم هذه الآلة لكي يستخدمها أشخاص بالغون مسموح لهم باستخدامها. يرجى ألا يلتمسها الأطفال أو أن يستخدموها كلعبة. هذه الآلة مخصصة حصريًا للاستخدام المهني.

من الخطر تعديل أو محاولة تعديل مواصفات هذه الآلة.

بعد تركيب الآلة، تأكد أنها لا تستند إلى كابل كهرباء.

اتبع التعليمات المعطاة من أجل الاستخدام.

يجب تخزين واستخدام هذه الآلة داخل مكان بعيد عن الرطوبة والحرارة.

يجب أن يكون هناك إضاءة كافية لهذه الآلة للقيام بالعمل.

مستوى صوت هذه الآلة أقل من 75 ديسيبل وفقًا للمعيار EN ISO 3744.

يجب أن يستخدم هذه الآلة شخص واحد في الوقت الواحد (ما لم يوجد تعليمات مخالفة).

هذه الآلة مخصصة لتقطيع الخبز الناضج والمعتدل الحرارة.

هذه الآلة غير مخصصة لأنواع الخبز والخامات التالية:

- الخبز الساخن، والخبز البانت
- الخبز المجدد، أو الذي تم إزالة تجميده جزئيًا
- الخبز الكامل بقشرة صلبة وأنواع أخرى من الخبز ذات القشرة الصلبة
- خبز الجاودار
- منتجات غير غذائية مثل الخشب والبلاستيك والخامات الشبيهة
- أي طعام لا ينتمي إلى فئة الخبز أو الكعك

يمكن أن تتلف الآلة أثناء قطع الخبز أو الخامات غير المصرح بها.

افصل دائمًا التيار الكهربائي قبل القيام بالتنظيف الداخلي/الخارجي للجهاز وقبل عمليات الصيانة.

هذا الجهاز ثقيل الوزن. اتخذ كل احتياطات الأمان أثناء مناولته.

## 4 المواصفات الفنية

### 4.1 المواصفات الفنية

ECO+ 600 جهاز نافخ	ECO+ 450 M جهاز نافخ	ECO+ 450 جهاز نافخ	ECO+ 600	ECO+ 450 M	ECO+ 450	
1337	1337		1337		1337	الارتفاع (مم)
1231	1051		784		604	العرض (مم)
829	829		745		745	العمق (مم)
310	300	310	310	300	310	عرض قناة الإدخال (مم)
600		440	600		440	عرض قناة الإدخال (مم)
160		160	160		160	ارتفاع قناة الإدخال (مم)
1600 × 860 × 800						الحزم (مم)
190		175	180		165	الوزن الصافي (كجم)
210		195	200		185	الوزن الصافي + عبوة التغليف (كجم)
1.1	1.1	0.49	1.1	1.1	0.49	قوة الموتور (كيلو واط)
أحادي الطور أو ثلاثي الأطوار (1) فازة أو 3 فازة	ثلاثي الأطوار (3 فازة)	أحادي الطور أو ثلاثي الأطوار (1) فازة أو 3 فازة	أحادي الطور أو ثلاثي الأطوار (1) فازة أو 3 فازة	ثلاثي الأطوار (3 فازة)	أحادي الطور أو ثلاثي الأطوار (1) فازة أو 3 فازة	نوع المحرك
5	-	5	5	-	5	220 فولت - 50 هرتز (A)
3.2	3.2	3.2	3.2	3.2	3.2	380 فولت - 50 هرتز (A)
500 > 200						سعة (الخيز/ساعة)
75 >						المستوى الصوتي (ديسيبل)

FACE+ M	+FACE	
1418	1418	الارتفاع (مم)
604	604	العرض (مم)
654	654	العمق (مم)
310	310	عرض قناة الإدخال (مم)
440	440	عرض قناة الإدخال (مم)
160	160	ارتفاع قناة الإدخال (مم)
1600 × 860 × 800	1600 × 860 × 800	الحزم (مم)
165	165	الوزن الصافي (كجم)
185	185	الوزن الصافي + عبوة التغليف (كجم)
0.49	0.49	قوة الموتور (كيلو واط)
ثلاثي الأطوار (3 فازة)	أحادي الطور أو ثلاثي الأطوار (1) فازة أو 3 فازة	نوع المحرك
-	5	220 فولت - 50 هرتز (A)
3.2	3.2	380 فولت - 50 هرتز (A)
500 > 200	500 > 200	سعة (الخيز/ساعة)
75 >	75 >	المستوى الصوتي (ديسيبل)

اختياري	موتور مقوى
اختياري	نافع مكبس (ECO+450 - ECO+600)
اختياري	حاجز ضوئي
اختياري	ارتفاع إضافي قدره 4 سم
اختياري	زر اختبار الضغط
اختياري	شريحة مزودة (ECO+600)
اختياري	عداد يومي
اختياري	لون خاص
اختياري	سكاكين خاصة

## 4.2 تفاصيل الخامات الملامسة للخيز.

- منضدة إدخال: فولاذ مقاوم للصدأ 430
- دفع قطع الخيز: فولاذ مقاوم للصدأ 430
- مكبس خبز فولاذ مقاوم للصدأ 430
- الشفرات: الصلب
- منضدة إخراج: فولاذ مقاوم للصدأ 430
- جهاز التكييس: فولاذ مقاوم للصدأ 430

## 5 التركيب والتشغيل

### 5.1 فك تغليف الآلة:

تُباع الآلات، عند خروجها من ورشنا، على ألواح، ومربوطة بأشرطة ومحمية بورق الكرتون. قبل القيام بأي شيء، يجب فحص العبوة وإبلاغ شركة التوصيل مباشرة بأي تلف ناتج عن النقل.

- A. اسحب الكرتونة وكذلك كيس تغليف الآلة.
  - B. انزع الأشرطة مع الانتباه بشكل خاص إلى ارتخاء هذه الأخيرة أثناء قطعها.
  - C. افصل الجهاز عن الألواح بأن تنزع الشرائح الخشبية التي تعرقل حركة العجلات.
  - D. أنزل الآلة من على اللوح. احرص على أن يقوم شخصان على الأقل بهذا الأمر من أجل تخفيف التلامس مع الأرض بشكل أفضل.
  - E. يُرجى تركيب المصد القابل للضبط لجهاز التكييس على جهاز التكييس (fig. 15 n°29).
- بعد إخراج الآلة من الكرتون، تحقق أنها لم تتعرض للتلف أثناء النقل. وأبلغنا بأي عطب.

### 5.2 الموضوع:

للحصول على أداء ممتاز وفعالية على المدى الطويل، اختر موضعاً:

جيد التهوية، وبعيداً عن أشعة الشمس المباشرة وبعيداً عن مصادر الحرارة مع سطح قوي وخالي من الاهتزازات.

### 5.3 التوصل الكهربي:

هام: توصيل الطرف الأرضي إلزامي.  
يُنصح بحماية التمديدات الكهربائية بمنصهر وقاطع تيار تفاضلي.

يجب حماية التمديدات الكهربائية التي تُغذي الآلة كما هو مبين أدناه:  
- أمريكا الشمالية: حماية 15 أمبير؛

بقية دول العالم: حماية 16 أمبير.  
بالنسبة للآلات المجهزة بمُغيّر كهربائي، يجب توصيله على غلبة التفريغ على خط مجهز بقاطع تيار تفاضلي 300 ملي أمبير.

ملحوظة: أي مشكلة ناجمة عن التوصل بشكل آخر لن يشملها الضمان.

قبل توصيل الآلة على شبكة الكهرباء ومن أجل تجنب وقف تشغيل الموتور عند توصيله بالكهرباء، من المهم التحقق من توافق شبكة الكهرباء مع مواصفات الآلة (انظر لوحة البيانات لهذه الآلة).

يتوافق هذا الجهاز مع التعليمات الخاصة بالآلات 42/2006 و 95/2006 و 108/2004 ويحمل علامة CE التي تشهد بذلك.

يرجى الاطلاع على الصور التوضيحية المتعلقة بالأمان الموجودة على الآلة:

صورة توضيحية تُشير إلى خطر حدوث جرح. سوف تجدها في مقدمة الآلة حول منطقة وضع الخبز. (fig.13, n°25)



سوف تجد الرسم التخطيطي الكهربائي للآلة على ظهر باب الصندوق الكهربائي. (fig.13, n°26)

صورة توضيحية تُشير إلى خطر الصعق بالكهرباء. يُرجى فصل الكهرباء عن الآلة قبل أي إصلاح لها. سوف تجدها خلف الآلة بالقرب من كابل التغذية وداخل الآلة على الصندوق الكهربائي. (fig.13, n°27)



### 5.4 التشغيل:

قبل التشغيل، تأكد من عدم وجود أي شيء دخيل على الأجزاء المتحركة للآلة.

لاستخدام الآلة، راجع فصل "الاستخدام".

### 5.5 خطر:

في حالة وجود خطر على المستخدم أو على الآلة، يجب عليك أن تستخدم مفتاح القطع العمومي لفصل التيار الكهربائي عن الآلة.

اسحب القابض من المقبض الكهربائي قبل القيام بأية عملية صيانة وفحص؛  
لا تلمس الشفرة، حتى أثناء التوقف.

عند تغيير الشفرة، اطلب من الموزع المعتمد أن يقوم بالعملية.

احرص على ارتداء قفازات حماية من الجروح أثناء استبدال الشفرات أو أثناء القيام بعملية قريبة من الشفرة.

أي عملية صيانة أو استبدال قطعة غيار يجب أن تتم بواسطة شخص مؤهل.

### 6.1 جهاز التحكم:

ماكينة القطع مزودة على التوالي بزرين:  
زر تشغيل وزر إيقاف في حالة الطوارئ

يمكن تزويدها اختياريًا بالأزرار الإضافية التالية:

- زر اختيار الضغط
- وضع آلي
- تشغيل الناقل (على الآلة المجهزة بناقل)

### 6.2 منطقة عمل:

توجد منطقة العمل أمام الآلة (fig.3 n°18)

### 6.3 أجهزة الأمان:

هذه الآلة مجهزة بـ:

مفتاح أمان ميكانيكي لقطع التيار (EPK – EPF – EPKS – EPFS – EGK – EGF) (fig. 10 n°23)  
يوجد خلف الغطاء العلوي  
والذي يوقف الآلة عندما تفتح الغطاء العلوي (fig.1, n°2).

مفتاح أمان ميكانيكي لقطع التيار (fig. 11 n°24)

ويوجد في أسفل الآلة تحت وعاء فتات الخبز  
والذي يمنع الآلة من العمل عندما تفتح الباب الأمامي (fig.1, n°8).

خلايا كهروضوئية تمنع عمل الآلة عندما تكون الحزمة مقطوعة (اختياري) (EPL – EPM – EPLS – EPMS – EGL – EGM) (fig.8, n°21)

قَضْبِ أمان يمنع تشغيل الآلة عندما تضغط عليه.  
(اختياري) (EPB – EPBS – EPN – EPNS)

## 7 الاستخدام

من أجل الاستعمال، يجب قفل العجلات الصغيرة المزودة بفرملة (fig.1 n°13).

في بداية اليوم، وصل الآلة بالكهرباء باستخدام زر الإيقاف في حالة الطوارئ  
(fig.1 n°10)

خطوات الاستخدام

اختياري: اختر نوع الضبط باستخدام زر الاختيار (fig.4):

1: سرعة بطيئة

2: سرعة عالية

ISC: إدارة آلية

اختياري: من أجل العمل بشكل مستمر اضغط على الزر (fig.4) (AUTO)

- أ. ضع الخبز على المنضدة الخلفية (fig.3 n°16)، بين الشفرات والجزء المتحرك (fig.5, fig.6).  
 ب. أغلق الغطاء (fig.5) (fig.1 n°2).  
 ج. اضغط على الزر الأخضر (fig.1 n°11) (خيار الحاجز الضوئي أو قضيب الأمان) (fig.6).  
 د. استعد الخبز من على المنضدة الأمامية (fig.5) (fig.6).

اختياري: لتشغيل النافخ (fig.7 n°19) اضغط على الزر الأبيض الموجود على الجانب الأيمن (fig.7 n°20).

في نهاية اليوم، اضغط على زر الإيقاف في حالة الطوارئ الأحمر (fig.1 n°10) لفصل التيار عن الآلة.

نصيحة: بعد الأيام الأولى من التشغيل، افحص شد الشفرات بواسطة شخص مؤهل.

السعة: عدد قطع الخبز المقطعة في اليوم: 6.000 (وفقاً لنوع الخبز).

مقاسات الخبز:

450: (عرض × طول × ارتفاع) (سم): حد أدنى 6 × 6 × 12 - حد أقصى 16 × 31 × 44  
 600: (عرض × طول × ارتفاع) (سم): حد أدنى 6 × 6 × 12 - حد أقصى 16 × 31 × 58

الأمان:

فتح غطاء الأمان (fig.1 n°2) يمنع تشغيل الآلة؛

المرور أمام الخلايا الكهروضوئية (fig.8 n°21) يمنع تشغيل الآلة (الآلة المزودة بهذا الخيار).

يُشار إلى تنشيط الأمان بوميض الزر الأخضر / لمبة البيان الخضراء. يتوافق عدد مرات الوميض مع رمز الخطأ (فقرة 11).  
 الضغط على قضيب الأمان (fig.9 n°22) يمنع العمل (EPB – EPBS – EPN – EPNS).

## 8 الصيانة

### 8.1 يومية بواسطة مستخدم مُدرب.

- A. تحقق إذا كان يجب عليك تفريغ وعاء الفتات  
 B. قم بتنظيف المناضد (fig.3 n°16) (fig.1 n°5) باستخدام فرشاة  
 C. استخدم قطعة قماش جافة للتنظيف من الداخل  
 D. بالنسبة للعناية الخارجية، استخدم قطعة قماش رطبة

### 8.2 كل 25000 مرة تقطيع للخبز و/ أو مرة واحدة على الأقل كل عام بواسطة وكيل معتمد.

- A. اسحب القابس من مقيس الكهرباء (fig.2 n°15)  
 B. تحقق من حالة شفرات القطع (fig.1 n°4).  
 C. إذا لاحظت انخفاض جودة القطع، فيجب القيام باستبدال شفرات القطع (الرقم المسلسل لدى شركة JAC: 610001، 610011، 610019 من كتالوج قطع الغيار JAC)  
 D. إذا كان لا بد من تغييرها، فاستبدل الشفرات وفقاً لإجراء تغيير شفرات القطع (fig.12)  
 E. ملحوظة: لا تشد الشفرات زيادة عن اللازم، لوجود خطر تشويه الإطارات.  
 F. قم بالتنظيف باستخدام فرشاة واشفط داخل الآلة.  
 G. تحقق من حالة رولمان البلي، ثم قم بتنشيمها بعد ذلك.  
 H. قم بتنشيم مفصلات أسطوانة الباب.

تأكد من أن الوكيل المعتمد يقوم بتسجيل زيارته في دفتر الصيانة من أجل الحفاظ على ضمان الـ 5 سنوات.

تكملة الصيانة بالنسبة للموديلات المزودة بنظام تزييت

الزيت المستخدم هو: 7940019 (كما هو مذكور في كتالوج JAC "قطع الغيار")  
 أو زيت طعام نباتي سائل مع مضاد للأكسدة طبيعي

كل 1000 قطعة أو كل 15 يوماً، بواسطة مُستخدم مُدرب:

أضف كمية زيت الطعام (100 إلى 150 ملم) اللازمة لتليين لباد مكبس الخبز (قم بتشغيل زر تقديم العربة من أجل السماح بالوصول إلى زر التغذية بالزيت)؛

كل 25000 مرة تقطيع للخبز و/ أو مرة واحدة على الأقل كل عام بواسطة وكيل معتمد:  
اسحب القابض من مقبس الكهرباء؛  
استبدل لباد مكبس الخبز.

### 8.3 تغيير الشفرات.

(fig. 12)

احرص دائمًا على ارتداء قفازات حماية من الجروح (معياري EN 388: 2003 مؤشر B=5) وأحذية أمان أثناء استبدال الشفرات أو أثناء عملية قريبة من الشفرات.  
بعد التأكد أن قابض الآلة (fig. 2 n°15) مفصول جيداً عن التيار الكهربائي.

- A. اسحب لوح التعبئة
- B. قم بفك المنضدة الأمامية على جانبي الآلة
- C. اسحب المنضدة الأمامية
- D. قم بفك الغطاء
- E. افتح الغطاء الذي يحمي إطارات حامل الشفرات. على الجزء العلوي للإطار الأمامي، قم بفك البراغي A التي تثبت الإطار بصفائح النولي بروبيلين (لا تقم مطلقاً بفك صفائح الضبط في الهيكل، فقد تقوم بتعديل ضبط المصنع)
- F. قم بإزالة الإطار نحو الأمام. استبدل شفرات الإطار الخلفي (ضع ما من شأنه الحماية على شفرات الإطار الأمامي). فك صواميل الزنق للبراغي B (الآت Misch). قم بفك صواميل الزنق المربوطة على البراغي EPN – EPM – EPFS – EPF (B). قم بفك البراغي B السداسية المجوفة التي تشد الشفرات. استبدل الشفرات مع مراقبة أن تكون موضوعة جيداً في ظفر الأذرع المتأرجحة. أعد شد الشفرات بأن تشد البراغي B، وتكون الشفرات التي ظلت في الإطار هي بمثابة دليل للشد. ثم شد الصواميل بعد ذلك (الآلة المجهزة بخيار التزييت).

من أجل عدم تشويه الإطار وعدم المخاطرة بتكسير خطير، لا تستبدل إلا 1 إلى 3 شفرات في المرة الواحدة مع التناوب من اليسار إلى اليمين.

كرر الإجراء من النقطة 6 بالنسبة للإطار الأمامي وأعد تركيب الإطار الأمامي وكذلك عناصر الهيكل.

قم بتوصيل الآلة بالتيار الكهربائي، فتكون الآلة جاهزة.

تأكد من أن الوكيل المعتمد يقوم بتسجيل زيارته في دفتر الصيانة من أجل الحفاظ على ضمان الـ 5 سنوات.

## 9 قطع المستهلكات

أثناء طلب قطعة غيار، تأكد مع الوكيل المعتمد بشأن القطعة المطلوبة على أساس كتالوج قطع الغيار الذي أصدره الصانع. حدد دائماً رقم الآلة كما هو مبين على لوحة البيانات. ويقوم الوكيل بعمل الطلبات لدى شركة JAC.

### 9.1 قائمة بالمستهلكات

رمز الصنف	التوصيف الجدي	النموذج
7240032	BELT	ALL
5690012	SLIDE PAD, 140 MM	ALL
5690020	FRAME STRIP	ALL
6110001	JAC KNIFE, 13 MM/0.5 MM	ECO+ 450, ECO+ 450 BLOWER, FACE+ 450
6110011	JAC KNIFE, 13 MM/0.5 MM + TEFLON	ECO+ 450M, ECO+ 450M BLOWER, FACE+ 450M
6110019	JAC KNIFE, 13 MM/0.7 MM	ECO+ 600 ECO+ 600M, ECO+ 600 BLOWER
5310026	LOAF HOLDER SPRING PLASTIC RING	ECO+ 450, ECO+ 450 BLOWER, ECO+ 600, ECO+ 600 BLOWER, FACE+ 450
5310030	LOAF HOLDER SPRING STAINLESS STEEL RING	ECO+ 450M, ECO+ 450M BLOWER, ECO+600M, FACE+ 450M
5315013	GAS SPRING, 40 N	ALL
5690151	LOAF HOLDER PAD	ALL
5630012	RUBBER STOP, Ø 6 MM	ALL
5690102	JAC FLAP	ALL
6120002	LOAF PUSHER FELT PAD	ECO+ 450M, ECO+ 450M BLOWER, FACE+ 450M
4-04846	LOAF PUSHER FELT PAD	ECO+ 600M

التحقق	المشكلة
قم بتوصيل الآلة باستخدام الكابل (fig.2 n°15)	الآلة لا تدور
قم بفتح زر الإيقاف في حالة الطوارئ (fig.1 n°10)	
أغلق الغطاء	
اتصل بالوكيل المعتمد إذا كان الضوء الأخضر يومض.	
أغلق الباب الأمامي	
تحقق إذا كان يجب استبدال الشفرات (fig.12)	الآلة تعمل، لكن الخبز تالف أو مُقطع بطريقة غير متساوية
اترك الخبز يبرد لعدة ساعات	
ضع الخبز بالمقاسات المقبولة	
ضع خبزًا إلى حد ما ناشفًا	
إذا كانت الشفرات غير متساوية، فاضبط الشفرات والإطارات	
إذا كانت الشفرات غير متساوية، فاضبط الشفرات والإطارات	الخبز يهتز في الشفرات
تحقق إذا كان يجب استبدال الشفرات (fig.12)	الخبز ينقطع ببطء شديد
اختر ضبطًا آخر للضغط من خلال زر اختيار الضغط (ISC)	
تحقق إذا كانت نوابض مكبس الخبز في مكانها (fig.14, n°28)	
إذا كانت الشفرات غير متساوية، فاضبط الشفرات والإطارات	الخبز يتمزق
تحقق إذا كانت نوابض مكبس الخبز في مكانها (fig.14, n°28)	
تحقق إذا كان يجب استبدال الشفرات (fig.12)	
اتصل بالوكيل المعتمد إذا كان الضوء الأخضر يومض.	
تحقق إذا كانت نوابض مكبس الخبز في مكانها (fig.14, n°28)	الخبز يخرج ببطء شديد أو يظل في الشفرات
انزع نابضًا من مكبس الخبز وكرر الاختبار (fig.14, n°28)	الخبز منسحق عند خروجه من الشفرات

انتبه: قبل القيام بأية إصلاحات، يجب فصل التيار عن الآلة.

إذا استمرت المشكلة بعد ذلك، فيرجى الاتصال بالفني.



التصرف	وصف المشكلة	رمز الخطأ
الرجاء إعادة تشغيل الآلة باستخدام زر الإيقاف في حالة الطوارئ (fig.1 n°10). إذا استمرت المشكلة بعد ذلك، فيرجى الاتصال بالفني.	الأمان SECU1 مفتوح أثناء دورة العمل.	2
	تيار في أسطوانة الباب (M2) العلوية أعلى من 6 أمبير لمدة 1 ثانية، أثناء التقدم/القطع.	3
	الأمان الحراري لمحرك القطع (F3) يعمل.	4
	لا توجد حركة في أسطوانة الباب (M2) على الرغم من أن الشد على آخره.	5
	دفع قطع الخبز في الوضع الأولي. نهاية المشوار S1 لا يعمل.	6
	زمن دورة التقدم/القطع أكثر من 60 ثانية.	7
	زمن دورة الرجوع أكثر من 30 ثانية.	8
	نهاية مشوار الوضع الخلفي (S1) والأمامي (S2) يعملان في نفس الوقت.	9
	تيار في أسطوانة الباب (M2) العلوية أعلى من 6 أمبير لمدة 1 ثانية، أثناء رجوع العربة.	10
	غطاء الأمان الأمامي (S3) مفتوح أثناء الدورة.	11

إذا استمرت المشكلة بعد ذلك، فيرجى الاتصال بالفني.



## 12 قائمة بالمكونات الموجودة في الأشكال

الاسم	الرقم	شكل
مغناطيس الغطاء العلوي	1	1
الغطاء العلوي	2	
الغطاء	3	
الشفرات	4	
منضدة أمامية	5	
زر إعادة ضبط عداد الزيت	6	
وعاء فتات الخبز	7	
باب أمامي	8	
جهاز التكييس	9	
زر الإيقاف في حالة الطوارئ	10	
لمبة بيان أو زر مضيء أخضر	11	
عداد	12	
عجلة بفرملة	13	
صاح خلفي	14	
كابل الكهرباء	15	
منضدة خلفية	16	3
قفل مغناطيسي	17	
منطقة عمل	18	7
نافخ مكثف	19	
زر التحكم في جهاز النفخ	20	8
خلية أمان	21	
قضيب أمان	22	9
مفتاح أمان ميكانيكي	23	10
مفتاح أمان ميكانيكي	24	11
صورة توضيحية "خطر حدوث جرح"	25	13
رسم تخطيطي كهربوي	26	
صورة توضيحية "خطر الصعق بالكهرباء"	27	
نابض مكبس الخبز القابل للفك	28	14
مصد جهاز التكييس قابل للضبط	29	15

fig.1

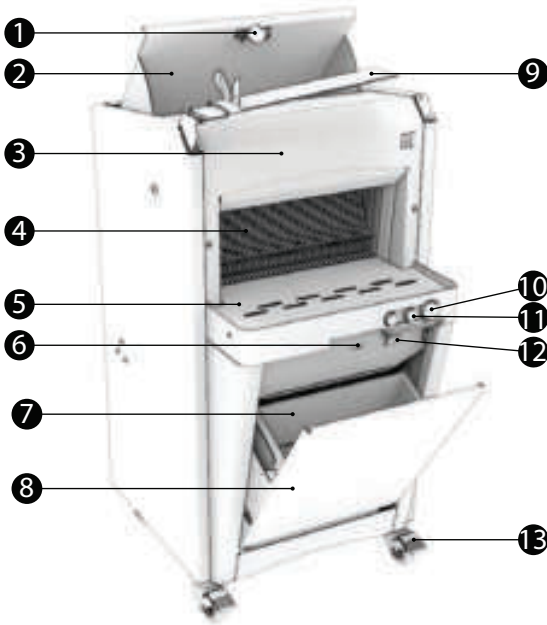


fig.2

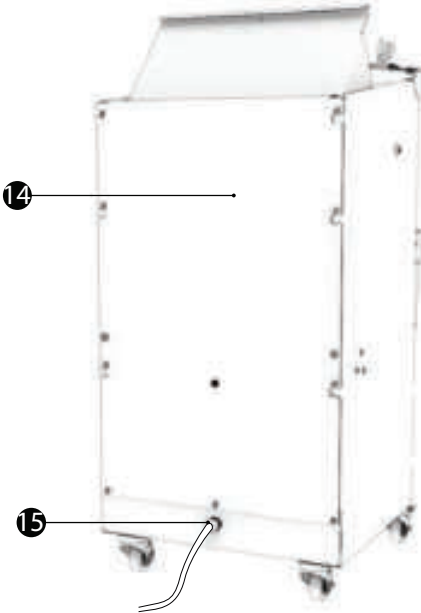


fig.3

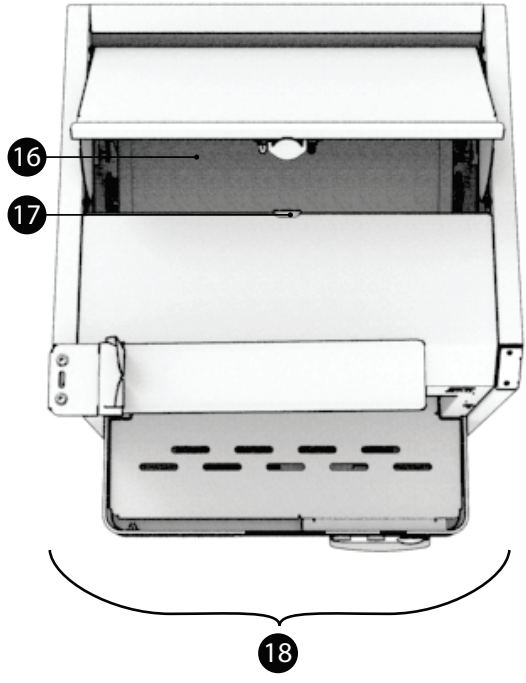


fig.4

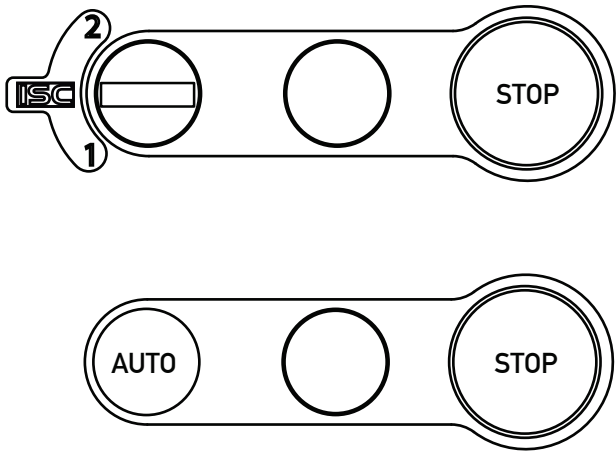


fig.5

EPK – EPKS – EPK ETL – EPKS ETL – EPF – EPFS – EGK – EGK ETL – EGF

A



B



C



fig.6

EPL – EPL ETL – EPM - EPMS- EPLS – EPL ETL – EPB – EPN - EPNS- EGL - EGL ETL – EGM

A'



B'

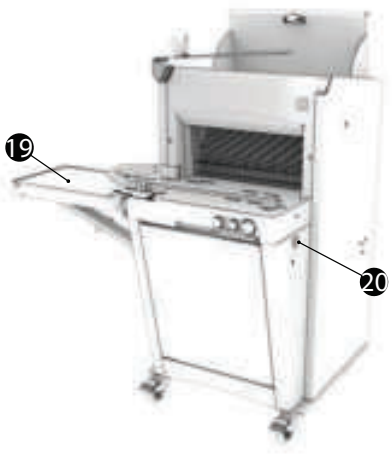


C'



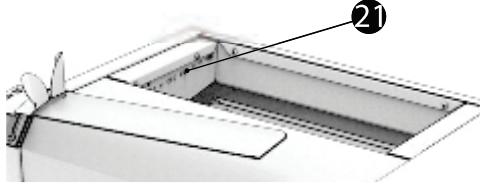
**fig.7**

EPKS – EPKS ETL – EPFS – EPFS ETL - EPMS – EPNS – EPBS – EPLS – EPLS ETL



**fig.8**

EPL – EPL ETL – EPM - EPMS- EPLS – EPL ETL – EGL - EGL ETL – EGM

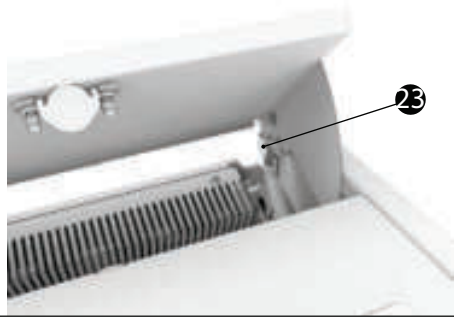


**fig.9**

EPB – EPN – EPBS - EPNS



**fig.10**



**fig.11**

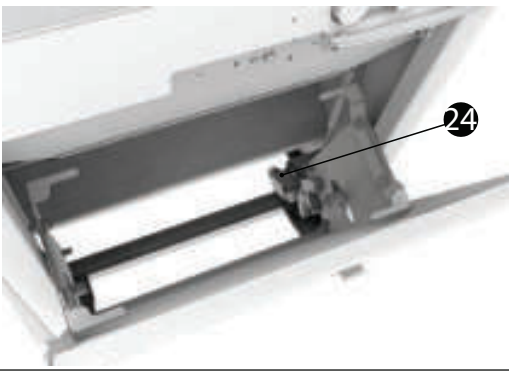


fig.12

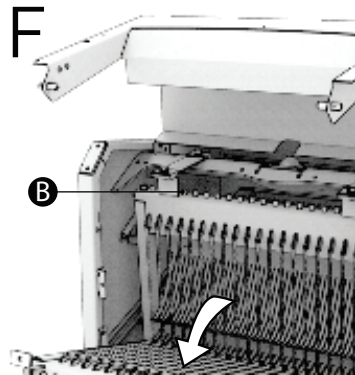
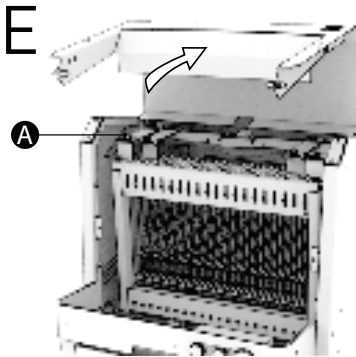
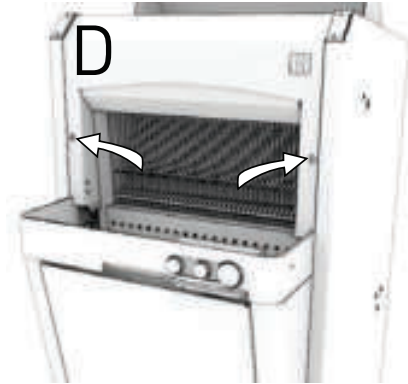
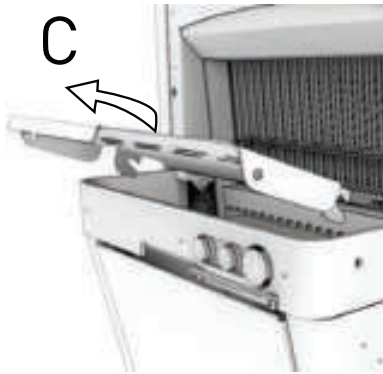
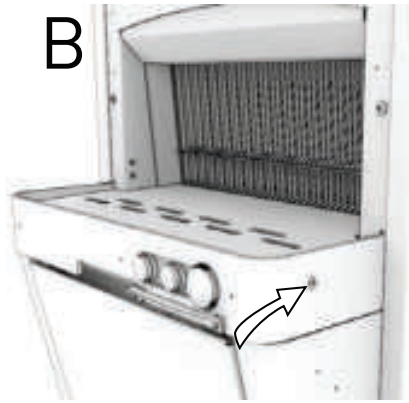
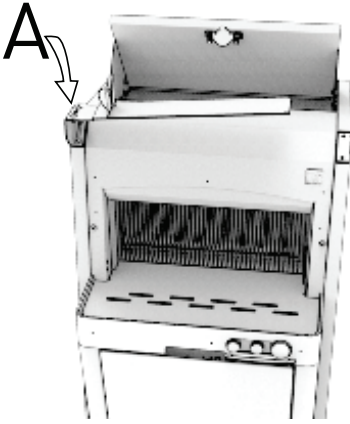


fig.13

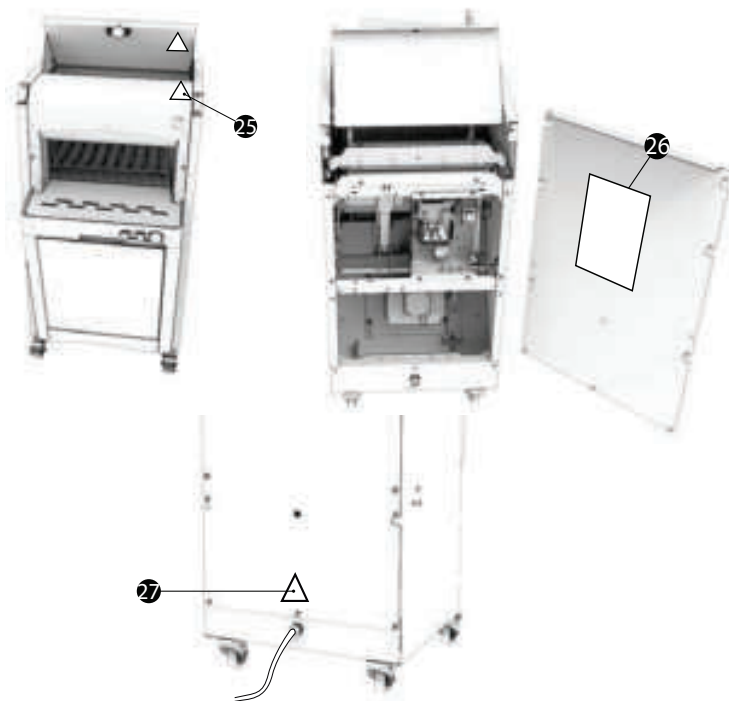


fig.14

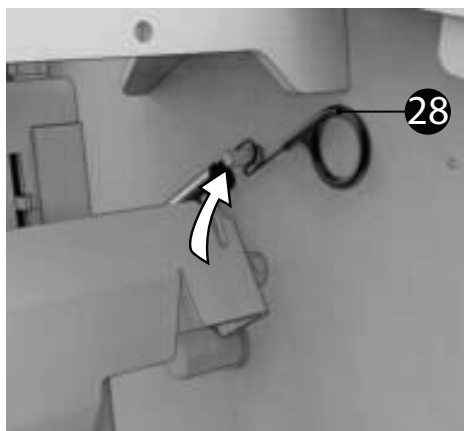
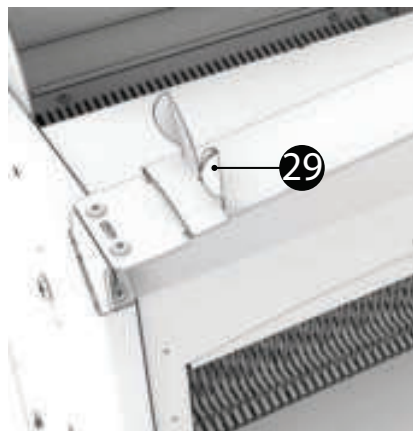


fig.15





Traditionally Innovative

CONFORMITY CERTIFICATE TO THE EUROPEAN DIRECTIVES.  
 CERTIFICAT DE CONFORMITE AUX DIRECTIVES EUROPEENNES.  
 KONFORMITÄTSZEUGNIS AN DIE EUROPÄISCHEN RICHTLINIEN.  
 GETUIGSCHRIFT VAN OVEREENSTEMMING MET DE EUROPESE RICHTLIJNEN.  
 CERTIFICATO DI CONFORMITÀ ALLE DIRETTIVE EUROPEE.  
 CERTIFICADO DE CONFORMIDAD CON LAS DIRECTIVAS EUROPEAS.  
 СЕРТИФИКАТ СООТВЕТСТВИЯ ЕВРОПЕЙСИМ ДИРЕКТИВАМ.  
 شهادة المطابقة مع التعليمات الأوروبية



- EN** The undersigned certifies that the machine complies with the European Directives 2000/94, 2002/95, 2004/108.
- FR** Le soussigné déclare que cette machine est conforme aux directives européennes 2000/94, 2002/95, 2004/108.
- DE** Unterszeichneter erklärt, daß diese Maschine den Europäischen Richtlinien 2000/94, 2002/95, 2004/108.
- NL** Ik, de tekensetende, verklaar dat deze machine in overeenstemming met de Europese richtlijn 2000/94, 2002/95, 2004/108.
- IT** Il sottoscritto dichiara che questa macchina conforme a la direttiva europea 2000/94, 2002/95, 2004/108.
- ES** El firmante declara que esta máquina es conforme con las directivas europeas 2000/94, 2002/95, 2004/108.
- RU** Нижеподписанный удостоверяет, что данная машина соответствует европейским директивам 2000/94, 2002/95, 2004/108.
- AR** أنا أتوكل على الله أن هذه الآلة تتوافق مع التعليمات الأوروبية 2000/94, 2002/95, 2004/108.

Last update: 01/2017  
 Technical files compiled by:  
 Pierre-Yves DORSIMONT  
 Verte voie, 49- 51  
 B-4000 Sclessin  
 BELGIUM

Complies with the following (parts of)  
 European Harmonised Standards:  
 EN 1672-2  
 EN 1935  
 EN 60204-1  
 EN 12100-1  
 EN 12100-2 §5, §6  
 EN 13954 if applicable  
 EN 61000-3-2, -3-3, -6-1, -6-3



B. Van Cauwenberghe  
 General Manager  
 JAC s.a.