



Gourmet Cube Ice | Large - Half Large - Dice - Half Dice Cube Ice | Nugget & Cubelet Ice | Flake Ice | Superflake Ice | Scale Ice

## Ice Storage & Transport Systems.

**The new concept  
in conservation and use of ice.**





## Innovative Ice Storage and Transport Systems

Ice has been for centuries, and will continue to be yet for many years, the best known form of portable refrigeration. Ice cubes, flakes, super-flakes, nuggets and scales are used around the world and on daily bases in a multitude of applications, successfully refrigerating, moisturizing, and merchandising all sorts of food and non-food products. Scotsman Ice Systems has the industry largest selection of different ice types and sizes under each type under a single brand. In business since 1950, we have gained the necessary expertise and product range to satisfy any ice shape and quantity requirement. We offer innovative technologies that allow to produce ice with less energy and less water usage. Our machines are designed to guarantee hygienically suitable conditions for ice production at all times while keeping routine maintenance and cleaning at a minimum. We are now ready to offer new and innovative ice storage and transport systems that will make your work safer, more efficient and less

physically demanding, while allowing you to keep your ice in the most pristine conditions for longer periods of time, because our and your success it's all about... product freshness and hygiene! While our Research and Development Team never sleeps, we are today proud to introduce our newest models, which may be easily regrouped in four different categories. Please take the time to read through this catalogue, where you will learn how to select, install and operate and interact with the most advanced products in the ice industry: Scotsman Ice Storage and Transport Systems. You will find these systems applied throughout our numerous and specialized market segment "Buying Guides", as well as product range folders, and spec sheets. To view all of this in a comprehensive and dynamic web application, please visit:  
[www.scotsman-ice-on-tablet.com](http://www.scotsman-ice-on-tablet.com)  
[www.scotsman-ice.it](http://www.scotsman-ice.it)  
[www.scotsman-ice.com](http://www.scotsman-ice.com)



Gourmet Cube Ice | Large - Half Large - Dice - Half Dice Cube Ice | Nugget & Cubelet Ice | Flake Ice | Superflake Ice | Scale Ice

## Four Ice Storage & Transport Solutions

Slope Front Ice Bins



Single and Double Door Upright Ice Storage Bins with Door Ice Shield



Ice Storage and Transport Systems with Single Door and Without Door, one Cart and two Cart



Stand and Ice Carts





## Slope Front Ice Bin - SB Series

Ice Storage bins manufacturing is an integral part of our activity which revolves around making ice available hygienically, comfortably and in the needed quantities for each application.

At the Operator's level, ice storage capacity should normally have greater relevance than the daily ice machine output, especially in all those locations where ice consumption shows "peaks and valleys" during the opening hours. Irregular ice consumption patterns are at the base of the "modular" configuration of larger capacity ice making systems: an oversized storage capacity will allow investment savings for the actual ice making machine, as ice accumulation during low-demand periods will create the reserves needed for its deferred consumption during peak-demand times. Ergonomic design, resistant stainless steel side and base panels, non-CFC polyurethane foam liner insulation, polyethylene hinged door, stand as the pre-requisite features of a world-class ice storage bin range. The moving parts in an ice storage bin are the door and the door hinges. These are the tell-tale, critical elements to be upgraded for long term, trouble-free operation.

**Scotsman is proudly introducing its state-of-the-art, brand new SB range of ice storage bins.**



## Key Features



Fully removable door gasket seals door opening to reduce meltage and is easy to disassemble for manual cleaning.



Non-corroding polyethylene bin liner is designed with easy-to-clean rounded corners.



Internal ice deflector pushes freshly produced ice towards the back panel in order to maximize bin storage capacity.



Rounded door-lip profile allows an easy reach for enhanced ease of operation.



Non-CFC polyurethane foam insulation provides extra thick insulation, adding strength to bin resistance to ice weight.



External panels in durable stainless steel. Load resistant.

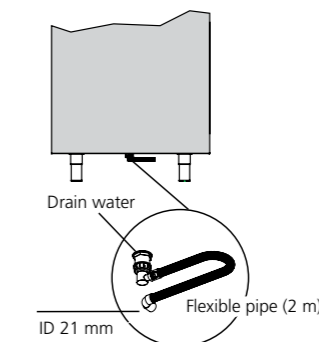


Robust door frame will resist operational abuse.



ABS plastic bin door, with built-in door hinges in stainless steel. Hinges are spring loaded for smooth and safe movement.

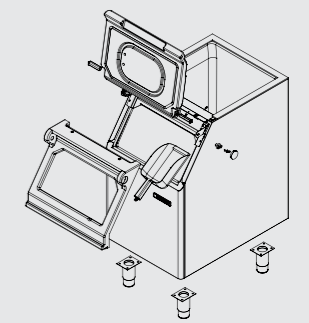
Storage bins base flexible drain hose conveniently rotates at 360° radius to allow ease-of-connection with any floor water drain position.



Perfect match (ice unit may be fixed to the ice storage bin).



Additional possible combination (unit may be positioned on the ice storage bin, but locking fixtures are non pre-arranged).



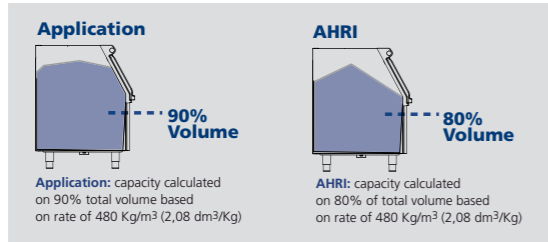
- New sleek, contemporary styling.
- Convenient, built-in scoop holder.
- Scoop incorporates antimicrobial Agion for better sanitation.
- Polyurethane Insulation, high density.
- Polyethylene bin interior, is sanitary and easy to clean, and resist scratches and scuffs from ice scoops.
- Stainless steel bin exterior, and door in rotocast plastic.
- Bin Caster available on request.

### SB Series:

- SB193 = 129 Kg**
- SB322 = 168 Kg**
- SB393 = 181 Kg**
- SB530 = 243 Kg**
- SB550 = 252 Kg**
- SB948 = 406 Kg**
- SB1025 = 478 Kg**



## Slope Front Ice Bin - SB Series



### SB193

MF26 - 120 Kg  
MF36 - 200 Kg

MF46 / 47 - 330 Kg  
MF56 / 57 - 600 Kg  
MFN46 - 270 Kg  
MFN56 - 470 Kg  
CBT22EFCO

MV306 - 154 Kg  
MV426 - 225 Kg  
MV430 - 210 Kg

		Use with:		
		Cube Ice Machines	Flake and Superflake Ice Machines	Nugget & Cubelet Ice Machines
Max storage capacity (Application)	129 kg	MV306	MF26	MFN46+CBT22EFCO
Max storage capacity (AHRI)	101 kg	MV426	MF36	MFN56+CBT22EFCO
Net weight	36 kg	MV430	MF46 / 47+CBT22EFCO	
Shipping weight	50 kg		MF56 / 57+CBT22EFCO	
Shipping dim. WxDxH	620x870x1050 mm			
Volume	0.57 m <sup>3</sup>			

### SB322

MF26 - 120 Kg  
MF36 - 200 Kg

F 1222 - 445 Kg

MF46 / 47 - 330 Kg  
MF56 / 57 - 600 Kg  
CBT22EFCO

MFN46 - 270 Kg  
MFN56 - 470 Kg  
CBT22EFCO

N622 - 292 Kg

C 0522 - 201 Kg

MV306 - 154 Kg  
MV426 - 225 Kg  
MV430 - 210 Kg

		Use with:		
		Cube Ice Machines	Flake and Superflake Ice Machines	Nugget & Cubelet Ice Machines
Max storage capacity (Application)	168 kg	MV306	MF26	N 622
Max storage capacity (AHRI)	132 kg	MV426	MF36	MFN46+CBT22EFCO
Net weight	48 kg	MV430	MF46 / 47+CBT22EFCO	MFN56+CBT22EFCO
Shipping weight	62 kg	C 0522	MF56 / 57+CBT22EFCO	
Shipping dim. WxDxH	620x940x1310 mm		F 1222	
Volume	0.76 m <sup>3</sup>			

### SB393

MC16 Short - 172 Kg

MV306 - 154 Kg  
MV426 - 225 Kg  
MV430 - 210 Kg  
CBT30EMCO

MV / P-MV456 - 240 Kg  
MV 460 - 220 Kg  
MV / P-MV606 - 320 Kg  
MV / P-MV806 - 430 Kg  
MV / P-MV1006 - 465 Kg

F1222 - 445 Kg  
CBT30EFSO

MFN46 - 270 Kg  
MFN56 - 470 Kg  
CBT30EFSO

N622 - 292 Kg  
CBT30EFSO

MF26 - 120 Kg  
MF36 - 200 Kg  
CBT30EFSO

MF46 / 47 - 330 Kg  
MF56 / 57 - 600 Kg

MF58Split - 600 Kg  
MF59Split - 850 Kg  
CBT30EFSO

C0522 - 201 Kg  
CBT30/52AMCO

		Use with:				
		Gourmet Cube Ice Machines	Cube Ice Machines	Nugget & Cubelet Ice Machines	Flake Ice Machines	Superflake Ice Machines
Max storage capacity (Application)	181 kg	MC16 Short	MV306+CBT30EMCO	MFN46+CBT30EFSO	MF26+CBT30EFSO	MF46 / 47+CBT30EFSO
Max storage capacity (AHRI)	141 kg		MV426+CBT30EMCO	MFN56+CBT30EFSO	MF36+CBT30EFSO	MF56 / 57+CBT30EFSO
Net weight	43 kg		MV430+CBT30EMCO	N622+CBT30EFSO	F1222+CBT30EFSO	MF58 Split+CBT30EFSO
Shipping weight	56 kg		MV / P-MV456			MF59 Split+CBT30EFSO
Shipping dim. WxDxH	822x885x1050 mm		MV460			
Volume	0.76 m <sup>3</sup>		MV / P-MV606			
			MV / P-MV806			
			MV / P-MV1006			
			C0522+CBT30/52AMCO			





## Upright Storage Ice Bin - UBH Series

Upright, single and double door Ice Storage Bin, for Flake, Superflake, Nugget, Cubelet and Scale ice.

- Convenient multi position ice deflector prevents ice spillage and assists during ice loading operations.
- To accelerate flow during ice extraction, ice paddle (and hanging bracket) are accessories.



- Bin door is spring loaded for safe usage and tight seal of storage compartment. Made in durable rotocast plastic, is light yet durable, withstanding typical rough handling of industrial or food retail environments.
- Bin door frame is sturdy and ergonomic, accommodating the hinge mechanism of our state of the art bin door. Easily removed during cleaning routine.
- High density, non-corroding polyethylene bin liner, is designed with easy-to-clean rounded corners, and resists scratches and scuffs from ice scoops.
- Polyurethane Insulation assures long periods of ice storage, reducing ice melt.
- Sliding polyethylene inspection windows are handy for visual control and initial paddle operation.
- Load resistant, stainless steel adjustable legs, with flanged feet.
- Storage bin base flexible drain hose conveniently rotates at 360° radius to allow ease-of-connection with any floor water drain position.
- Ice Paddle in polyethylene as supplied as standard.

## Key Features



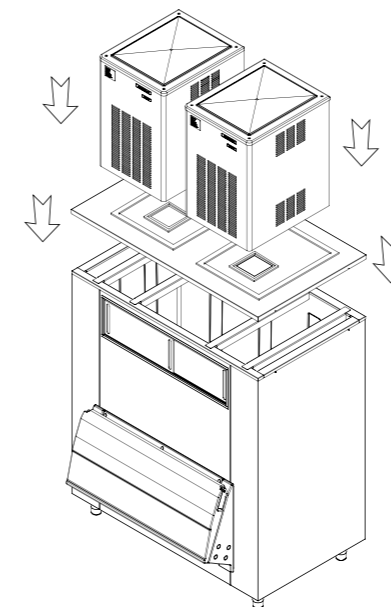
Ice paddle



Inspection windows

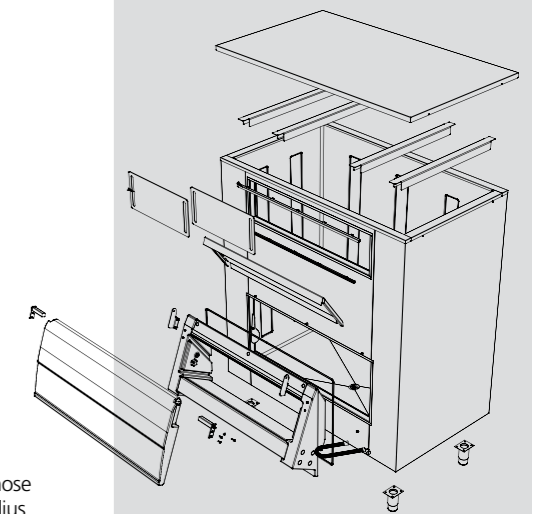
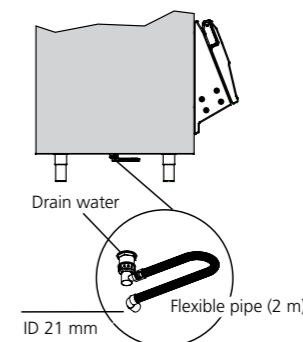
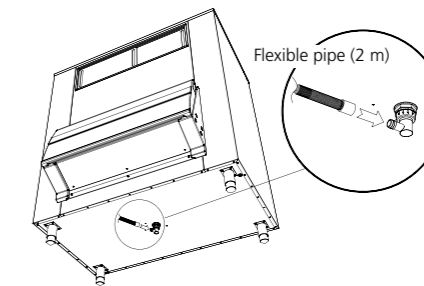


Bin door opening in first in - first out fashion

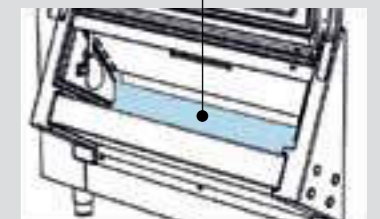


Easy to match with any ice maker.  
Maximum bearable weight: 500 kg.

Storage bin base flexible drain hose conveniently rotates at 360° radius to allow ease-of-connection with any floor water drain position.



- New sleek, contemporary styling.
- A perfect match to MF, MFN, N and MAR Scotsman modular Food Retail and Industrial cube ice machines.
- Stainless steel exterior, frame, sides, top, back and bottom.
- Heavy duty welded construction.
- Pre-cut top panel, to accommodate multiple Scotsman icemakers.
- Ice is stored in polyethylene bin interior, sanitary and easy to clean, resist scratches and scuffs from ice scoops, paddles and shovels.
- Ice flows from ice machine, to storage, to bin door opening in first in - first out fashion, for assured ice freshness.



"Fresh Ice"

### UBH Series:

- UBH1100 = 553 Kg**
- UBH1600 = 812 Kg**
- UBH2250 = 1068 Kg**



**UBH1100**

**MC46** - 310 Kg  
**F1222** - 445 Kg  
**MFN46** - 270 Kg  
**MFN56** - 470 Kg  
**N622** - 292 Kg  
**MF46 / MF47** - 330 Kg  
**MF56 / MF57** - 600 Kg  
**MF58 Split** - 600 Kg  
**MF59 Split** - 850 Kg  
**MF68 Split** - 1200 Kg  
**MF69 Split** - 1900 Kg  
**MF66** - 1200 Kg  
**MAR56** - 380 Kg  
**MAR76** - 510 Kg  
**MAR106** - 700 Kg  
**MAR126** - 1000 Kg  
**MAR78** - 510 Kg  
**MAR108** - 700 Kg  
**MAR128** - 1000 Kg  
**ES1014** - 1000 Kg



Use with:					
Gourmet Cube Ice Machines	Cube Ice Machines	Nugget & Cubelet Ice Machines	Flake Ice Machines	Superflake Ice Machines	Scale Ice Machines
MC46	MV / P-MV456	MFN46	F1222	MF46 / 47	MAR56
	MV460	MFN56		MF56 / 57	MAR76
	MV / P-MV606	N622		MF58 Split	MAR106
	MV / P-MV806			MF59 Split	MAR126
	MV / P-MV1006			MF66	MAR78
	C 0530 / C 0630			MF68 Split	MAR108
	C 0830 / C 1030 / C 1448			MF69 Split	MAR128
	C 1848 / C 2148				ES1014

Max storage capacity (Application)	553 kg
Max storage capacity (AHRI)	434 kg
Net weight	142 kg
Shipping weight	164 kg
Shipping dim. WxDxH	1270x1180x1590 mm
Volume	2.4 m <sup>3</sup>

## UBH1600



**Use with:**

Gourmet Cube Ice Machines	Cube Ice Machines	Nugget & Cubelet Ice Machines	Flake Ice Machines	Superflake Ice Machines	Scale Ice Machines
MC46	MV / P-MV606	MFN56	F1222	MF56 / 57	MAR56
MC1210	MV / P-MV806	N622		MF58 Split	MAR76
	MV / P-MV1006			MF59 Split	MAR106
	C 0630 / C 0830			MF66	MAR126
	C 1030 / C 1448			MF68 Split	MAR78
	C 1848 / C 2148			MF69 Split	MAR108
					MAR128
					ES1014
					EC10 / 15

Max storage capacity (Application)	812 kg
Max storage capacity (AHRI)	637 kg
Net weight	206 kg
Shipping weight	230 kg
Shipping dim. WxDxH	1570x1180x1890 mm
Volume	3.5 m <sup>3</sup>

## UBH2250



**Use with:**

Gourmet & Cube Ice	Nugget & Cubelet Ice Machines	Superflake Ice Machines	Scale Ice Machines
MC1210	MFN86	MF66	MAR126
C1848	MFN88 Split	MF59 Split	MAR206
	C2148	MF68 Split	MAR306
		MF 69 Split	MAR128
		MF 86	MAR208
		MF88 Split	MAR308
			EC10 / 15 / 20
			ES1014

Max storage capacity (Application)	1068 kg
Max storage capacity (AHRI)	838 kg
Net weight	272 kg
Shipping weight	296 kg
Shipping dim. WxDxH	1880x1525x1450 mm
Volume	4.16 m <sup>3</sup>



## Storage Ice Shuttle - SIS Series

Suspended, Single door, Ice Storage Bin with Ice Shuttle cart(s), for Cube, Flake, Superflake, Nugget, Cubelet and Scale ice.

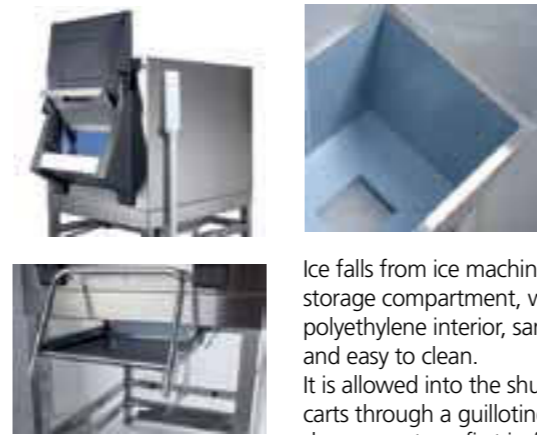
- No more ice transferring operations from your storage: ice is gravity-fed into the shuttle cart. And to distribute your ice at the usage

point, ice shuttle cart(s) are equipped with easy to use and hygienically proven ice totes (accessory).

- Convenient multi position ice guillotine prevents ice spillage and assists during ice loading operations.
- To accelerate flow during ice extraction, ice paddle (and hanging bracket) are available standard.
- Storage compartment bin door is spring loaded for safe usage and tight seal. Made in durable rotocast plastic, is light yet durable, withstanding typical rough handling of busy working environments.
- Bin door frame is sturdy and ergonomic, accommodating the hinge mechanism of Scotsman state of the art bin door.
- Polyurethane Insulation assures long periods of ice storage, reducing ice melt.
- Sliding polyethylene inspection windows are handy for visual control and initial paddle operation.
- Load resistant, stainless steel adjustable legs, have flanged feet for stability and ease of height adjustment.
- Heavy-duty frame, hosts base with built-in drain for bin and cart. Drain connection is reversible.
- Each SIS Ice Storage and Shuttle System is shipped with it's own Shuttle cart(s).
- Ice Paddle in polyethylene as supplied as standard.

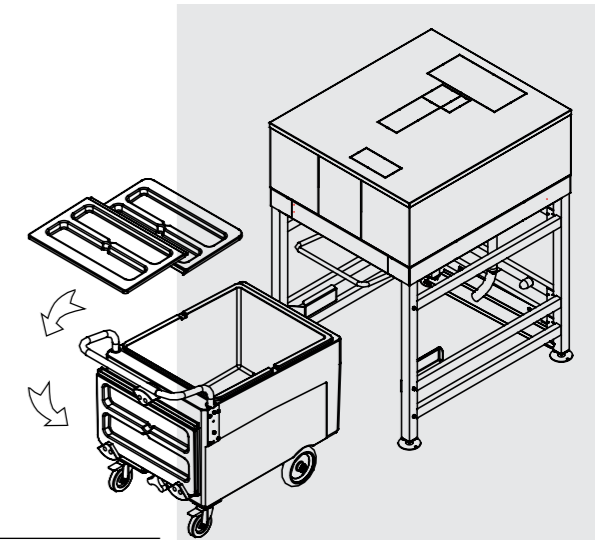


## Key Features



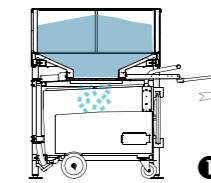
Ice falls from ice machine into storage compartment, with polyethylene interior, sanitary and easy to clean. It is allowed into the shuttle carts through a guillotine-style dosage system, first in-first out fashion, for assured ice freshness.

- Shuttle carts are wheeled at the usage point, with little effort and maximum ice hygiene.
- Shuttle cart(s) bay is equipped with melting ice water drainage system, easily connected the floor water drain.
- A manual drain activation system is easily operated to properly dispose of drain water while shuttle cart is positioned in its load position.
- Six ice totes (accessory) fit conveniently in the Shuttle cart(s), and may be covered with the shuttle lids for longer storage periods.
- High density, non-corroding polyethylene Ice Shuttle interior is designed with easy-to-clean rounded corners, and resists scratches and scuffs from ice scoops.
- Ice Shuttle handle-bar is in 304 stainless steel with anti-slip rubber treatment, for ease of steering and durability.

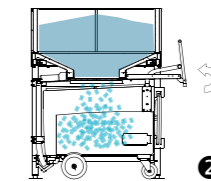


### TO LOAD

Pull guillotine to open ice passage.

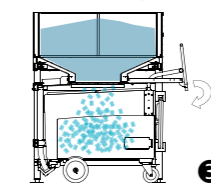


Raise guillotine handle in safety position.

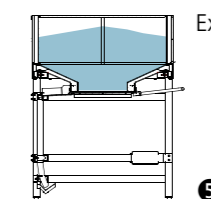
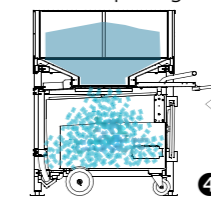


### TO CLOSE

Lower handle into operating position.



Push to close ice passage.



Extract ice shuttle from loading bay.

- New sleek, contemporary styling. A perfect match to MC, MV, MF, MFN and N Scotsman modular HoReCa, Food Retail and Industrial cube ice machines.
- Stainless steel exterior for both storage and frame.
- Storage compartment is heavy duty.
- Frame can be pre-assembled or shipped as kit. In this case, castered cart is loaded within the ice storage compartment, for reduced freight and storage costs.
- Pre-cut top panel, to accommodate multiple Scotsman icemakers.



## SIS Series:

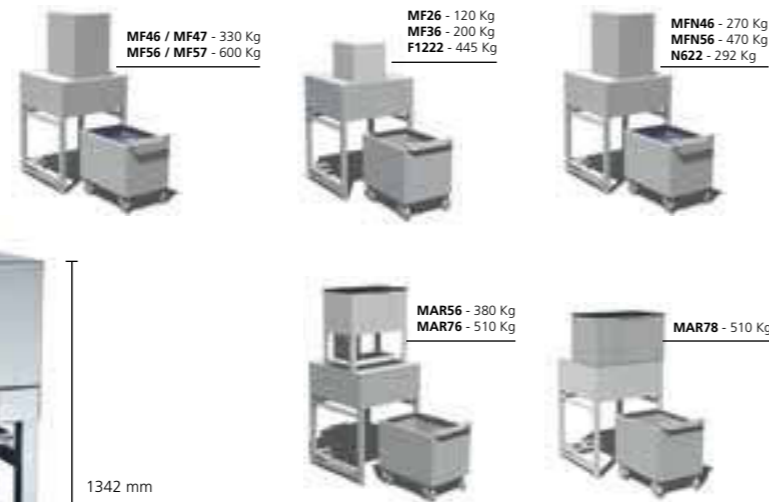
**SIS300 = 137 Kg**

**SIS700 = 318 Kg**

**SIS1350 = 613 Kg**



## SIS300

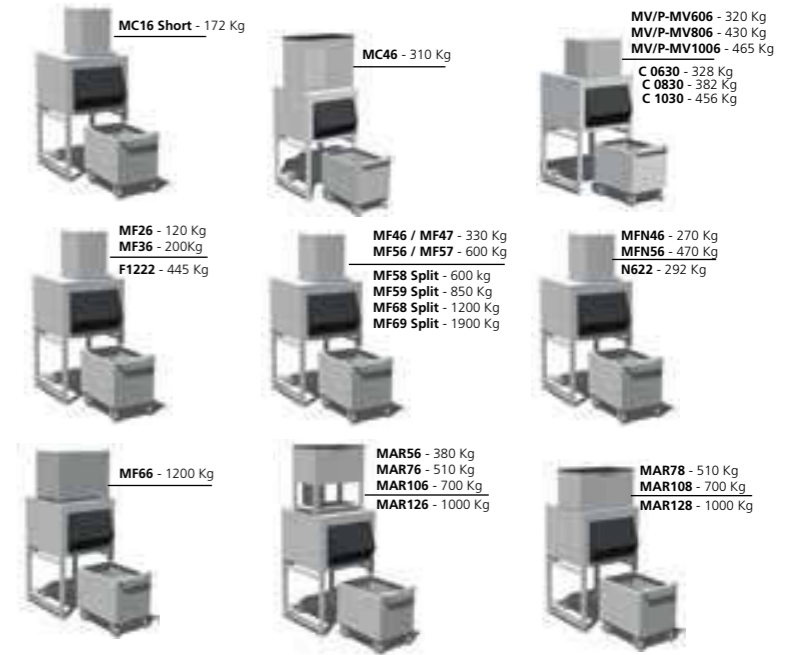


Use with:	Nugget & Cubelet Ice Machines	Flake Ice Machines	Superflake Ice Machines	Scale Ice Machines
MFN46	MF26	MF46 / 47	MAR56	
MFN56	MF36	MF56 / 57	MAR76	
N622	F1222		MAR78	

<b>Max storage capacity (Application)</b>	137+73=210 kg with cart			
<b>Max storage capacity (AHRI)</b>	107+73 kg=180 kg with cart			
<b>Net weight</b>	120 kg			
Shipping weight	162 kg			
Shipping dim. WxDxH	1130x1325x1495 mm			
Volume	2.24 m <sup>3</sup>			

Item is shipped pre-assembled.

## SIS700

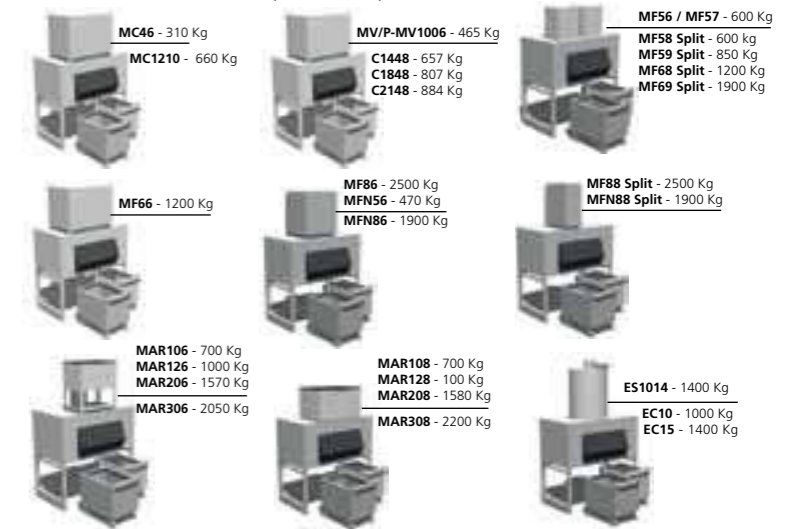


Use with:	Gourmet Cube Ice Machines	Cube Ice Machines	Nugget & Cubelet Ice Machines	Flake Ice Machines	Superflake Ice Machines	Scale Ice Machines
MC16 Short*	MV/P-MV606*	MFN46	MF26	MF46 / 47	MAR56	
MC46*	MV/P-MV806*	MFN56	MF36	MF56 / 57	MAR76	
	MV/P-MV1006*	N622	F1222	MF58 / 59 Split	MAR106	
	C0630*			MF68 / 69 Split	MAR126	
	C0830*			MF66	MAR78	
	C1030*				MAR108	
					MAR128	

Item is shipped in knocked-down form; shipment as pre-assembled upon request.

\*Please contact Technical Department for special instructions.

## SIS1350



Use with:	Gourmet Cube Ice Machines	Cube Ice Machines	Nugget & Cubelet Ice Machines	Superflake Ice Machines	Scale Ice Machines
MC46*	MV/P-MV1006*	MFN56	MF56 / 57	MAR106	
MC1210*	C1448*	MFN86	MF58 / 59 Split	MAR126	
	C1848*	MFN88 Split	MF68 / 69 Split	MAR206	
	C2148*		MF66	MAR306	
			MF86	MAR108	
			MF88 Split	MAR128	
				MAR208	
				E51014	
				EC10/15	

<b>Max storage capacity (Application)</b>	613+73+73=759 kg with 2 carts			
<b>Max storage capacity (AHRI)</b>	481+73 +73 kg=627 kg with 2 carts			
<b>Net weight</b>	347 kg			
Shipping weight	390 kg			
Shipping dim. WxDxH	1130x1330x1940 mm			
Volume	2.91 m <sup>3</sup>			

Item is shipped in knocked-down form; shipment as pre-assembled upon request.

\*Please contact Technical Department for special instructions.



## RBC STAND and Ice Carts



Insulated Cart made of double insulated plastic, with nylon wheels and ergonomic handle for easy maneuverability; water drain with faucet.



	RBC 200	RBC 300	RBC 500
Max storage capacity (Application)	100 kg	150 kg	250 kg
Max storage capacity (AHRI)	n.a.	n.a.	n.a.
Net weight	22 kg	36 kg	42 kg
Shipping weight	31 kg	45 kg	51 kg
Shipping dim. WxDxH	850x950x840 mm	850x950x840 mm	1050x1350x1020 mm
Volume	0.678 m <sup>3</sup>	0.88 m <sup>3</sup>	1.446 m <sup>3</sup>



## SIS Ice Carts



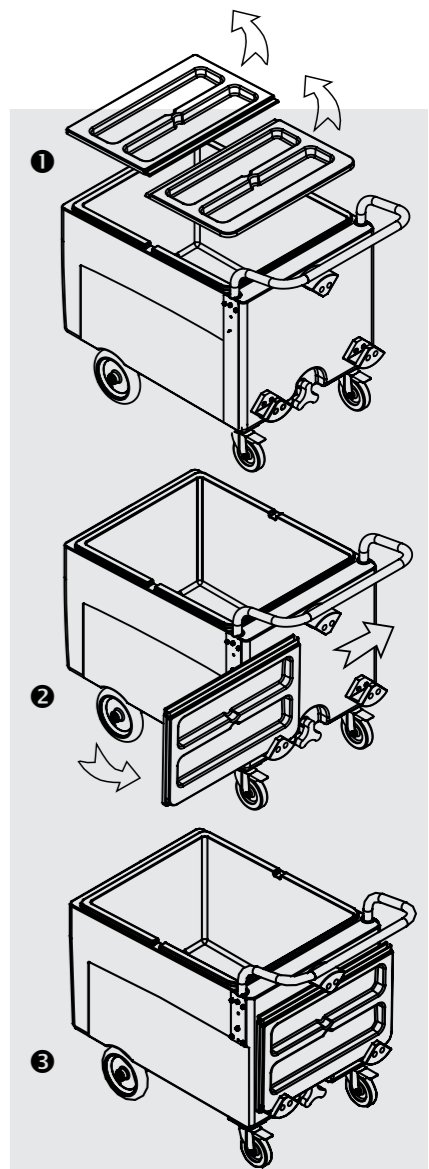
Removable steel handle, with anti-slip protection.

Storage cart with high insulation and drainage tap.

Supporting covers.



Polyethylene bin interior, is sanitary and easy to clean, resist scratches and scuffs from ice scoops.



**Capacity 73 Kg**  
**Dimensions:**  
 • width 63,6 cm  
 • depth 108,8 cm  
 • height 89,8 cm



**SIS Cart Totes**  
 Max 6 Totes per Ice Cart (optional)  
**Capacity 16 liters**  
**Dimensions:**  
 • width 31,4 cm  
 • depth 17,5 cm  
 • height 38,7 cm

# Scotsman®

## Ice Systems

## Ice the world demands



[www.scotsman-ice.it](http://www.scotsman-ice.it)  
[www.scotsman-ice.com](http://www.scotsman-ice.com)  
[www.scotsman-ice-on-tablet.com](http://www.scotsman-ice-on-tablet.com)

### EUROPE

Europe, Africa and Middle East  
Scotsman Ice Systems  
Frimont S.p.A. - Via Puccini, 22  
20010 Pogliano Milanese - Milan - Italy  
Ph: +39-02-93960208 - Fax: +39-02-93960201  
[scotsman.europe@frimont.it](mailto:scotsman.europe@frimont.it)

### USA

USA, Canada, Latin America  
Scotsman Ice Systems USA  
775 Corporate Woods Parkway  
Vernon Hills, IL 60061  
Ph: +847-215-4550 - Fax: +847-913-9844  
[customer.service@scotsman-ice.com](mailto:customer.service@scotsman-ice.com)

### CHINA

Scotsman Ice Systems (Shanghai) Co., Ltd.  
Room 2505, Building 2  
20 Xuhong Middle Road, Xuhui District  
Shanghai China 200235  
Main line: +86-21-6131 3205/3200  
Fax: +86-86-21 6131 3330  
Mobile: +86-13764342320  
[sales@scotsman-china.com](mailto:sales@scotsman-china.com)  
[service@scotsman-china.com](mailto:service@scotsman-china.com)

### ASIA AND PACIFIC

Scotsman Industries (S) PTE. LTD.  
1 Commonwealth Lane #09-22  
One Commonwealth  
Singapore 149544  
Ph: +65-6738-5393 - Fax: +65-6738-1959  
[scotsman@scotsman.com.sg](mailto:scotsman@scotsman.com.sg)



### MIDDLE EAST & NORTH AFRICA

Scotsman-Frimont Regional Office (ME&NA)  
POBox: 42026, Sharjah, UAE  
HFZA Bonded Warehouse No. 1k-10/1  
Ph: +9716-5262-944/945  
Fax: +9716-5262-946  
Mob. Ph.+971-505-505-980  
Skype: mdawood331393  
[m.dawood@frimont.ae](mailto:m.dawood@frimont.ae)  
[fernando.m@frimont.ae](mailto:fernando.m@frimont.ae)

### SOUTH AFRICA

Scotsman Ice Systems SA (Pty) Ltd  
P.O. Box 44 - Riverclub - 2149  
Lakeview Business Park  
Unit 4, 8 - 10 Yaldwyn Road  
Jetpark, Boksburg  
Ph: +27-11-826-6742/1  
+27 087-720 0245/6/7/8  
Fax: +27-11 826 4123  
+27-086-634-0803  
[stuart@scotsmansa.co.za](mailto:stuart@scotsmansa.co.za)  
[jennifer@scotsmansa.co.za](mailto:jennifer@scotsmansa.co.za)

### SPAIN

Scotsman España, S.L.U. - c/ Galapagar, 12  
Poligono Industrial Ventorro del Cano  
28925 Alcorcon (Madrid)  
Ph: +34-91-1109796 - Fax: +34-91-6337423  
E-mail: [scotsman@scotsman-espana.es](mailto:scotsman@scotsman-espana.es)  
[www.scotsman-espana.es](http://www.scotsman-espana.es)

### INDIA

Scotsman Group India  
Gurgaon One Complex - GT1-5A  
Sector 22, Old Gurgaon/Jaipur Rd  
Haryana, 122015  
India  
Tel.: +91-124-4002459 - direct +91- 9560072459  
[david.owen@scotsman.com.sg](mailto:david.owen@scotsman.com.sg)

Models and technical specifications may change without notice.